

Supplementary Parts List for Cylinder-controlled Electric Chain Hoist ER Series

This parts list provides information about the single and dual speed cylinder-controlled ER electric chain hoist in the 125kg and 250kg capacities. This list is intended to be used in combination with the standard ER Parts List.

Cylinder-controlled Parts List (Direct Wiring)

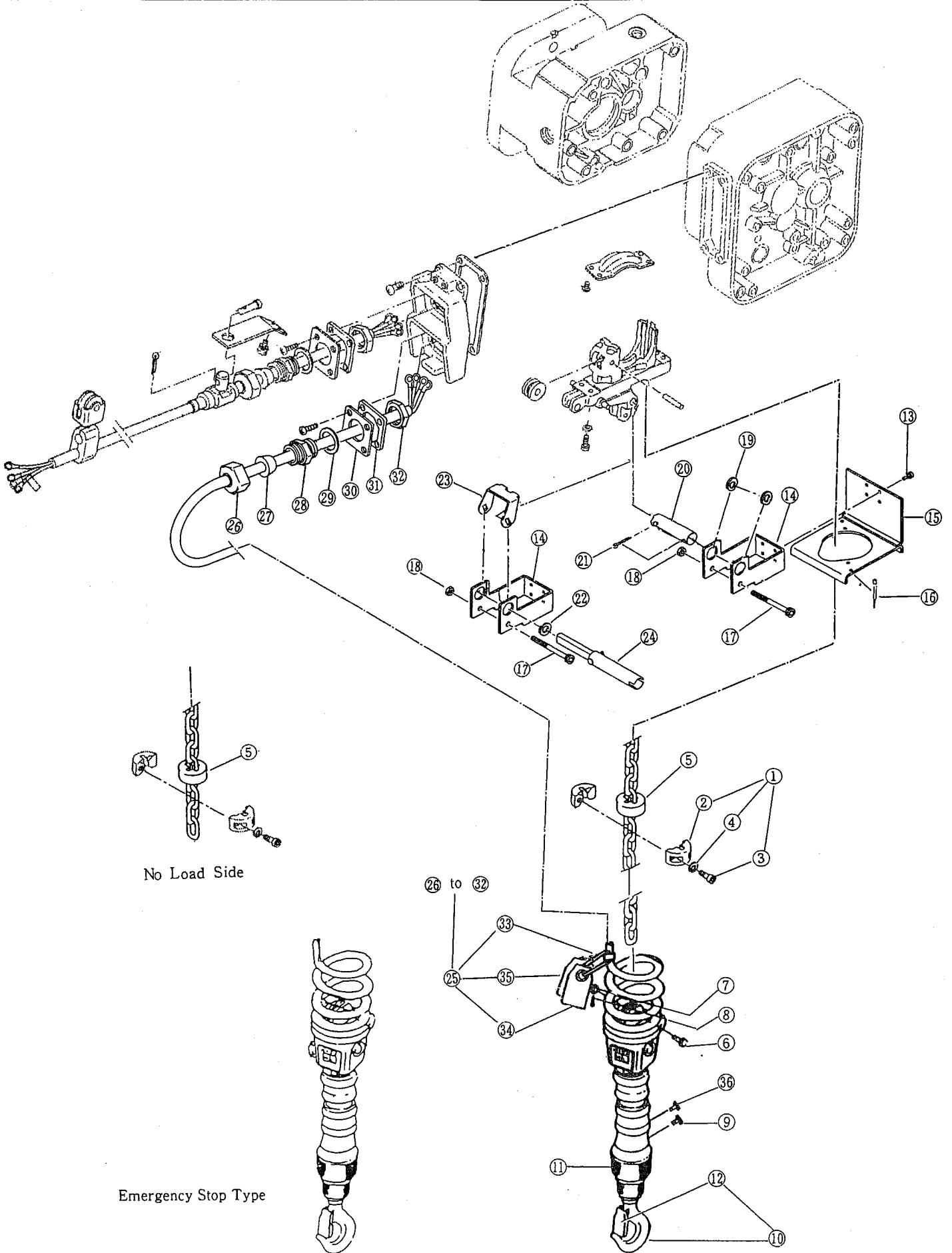


Fig No.	Part No.	Part Name	No. per Hoist	Size B			
				Single speed		Dual speed	
				001H	003S	001HD	003SD

Direct wiring

1	1045	Stopper assembly	1				
2	41	Stopper	2				
3	42	Socket bolt	2				
4	43	Spring lock washer	2				
5	53	Cushion rubber	2				
6	720	Chain pin	1				
7	721	Slotted nut	1				
8	722	Split pin	1				
9	759	Countersunk head screw	1				
10	1011	Detachable hook assembly	1				
11	1015	Detachable fitting E	1				
12	71	Hook latch assembly	1				
13	756	Machine screw with spring washer	4				
14	750	Cable holder A	1				
15	751	Cable holder B	1				
16	748	Cable tie	2				
17	754	Socket bolt	1				
18	755	U nut	1				

No limit switch

19	758	Collar	2				
20	752	Fixing pin	1				
21	753	Split pin	2				

Upper limit switch (option)

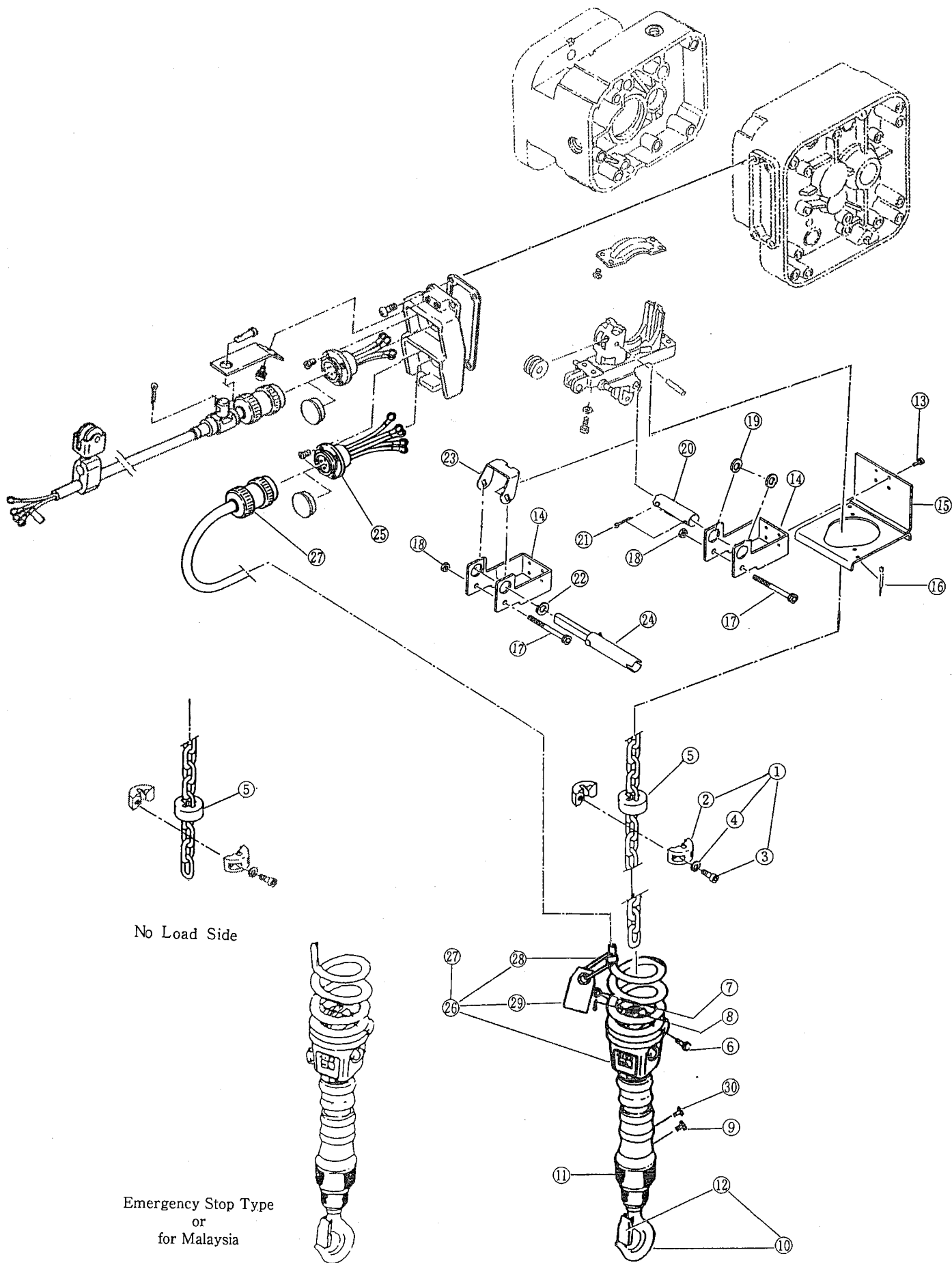
22	758	Collar	1				
23	337	Limit Lever S	1				
24	2757	Lever pin assembly	1				

Cylinder switch

25	1746S	Cylinder switch S assembly	1				
	1746D	Cylinder switch D assembly	1				
26	569	Holder A	1				
27	574	Cable packing	1				
	574K	Cable packing (CSA)	1				
28	570	Holder B	1				
29	571	Packing	1				
30	515	Holder plate	1				
31	514	Plate packing	1				
32	572	Holder nut	1				
33	566	Tag holder	1				
34	565LD	Warning tag LD (General)	1				
	565CE	Warning tag CE (Europe)	1				
	565K	Warning tag K (CSA)	1				
35	913	Tag S (CSA)	1				
36	806	Grip screw	5				

Cylinder-controlled ER (Direct wiring)

Cylinder-controlled Parts List (Plug Socket Connection)



No Load Side

Emergency Stop Type
or
for Malaysia

Fig No.	Part No.	Part Name	No. per Hoist	Size B			
				Single speed		Dual speed	
				001H	003S	001HD	003SD

Plug socket connection

1	1045	Stopper assembly	1				
2	41	Stopper	2				
3	42	Socket bolt	2				
4	43	Spring lock washer	2				
5	53	Cushion rubber	2				
6	720	Chain pin	1				
7	721	Slotted nut	1				
8	722	Split pin	1				
9	759	Countersunk head screw	1				
10	1011	Detachable hook assembly	1				
11	1015	Detachable fitting E	1				
12	71	Hook latch assembly	1				
13	756	Machine screw with spring washer	4				
14	750	Cable holder A	1				
15	751	Cable holder B	1				
16	748	Cable tie	2				
17	754	Socket bolt	1				
18	755	U nut	1				

No limit switch

19	758	Collar	2				
20	752	Fixing pin	1				
21	753	Split pin	2				

Upper limit switch (option)

22	758	Collar	1				
23	337	Limit Lever S	1				
24	2757	Lever pin assembly	1				

Cylinder switch

25	1564S	Socket 5P assembly	1				
	1564D	Socket 8P assembly	1				
26	1746S	Cylinder switch S assembly	1				
	1746D	Cylinder switch D assembly	1				
27	563S	Plug 5P	1				
	563D	Plug 8P	1				
28	566	Tag holder	1				
29	565LD	Warning tag LD (General)	1				
	565CE	Warning tag CE (Europe)	1				
30	806	Grip screw	5				

Cylinder-controlled ER (Plug socket connection)



KITO CORP.

3-37-4, Yoyogi, Shibuya-ku,

Tokyo 151-0053, Japan

Tel. : 03-5371-7341

Fax. : 03-5371-7349

Tlx. : 222-2942 KITO J

E-mail : overseas@kito.co.jp

URL [http : //www.kito.co.jp](http://www.kito.co.jp)