



# MS SERIES, 7.5t TO 20t MOTORIZED TROLLEY

Model MS2F : (Tapered flange wheel)

Model MS2Z : (Flat flange wheel)

# PARTS LIST

## IMPORTANT

When ordering replacement parts, please specify the following points:

1. Trolley capacity.
2. Model number in name plate.
3. Correct part names and numbers.
4. Lineal length of push button cord or power supply cable.

# A MOTOR AND GEARING PARTS

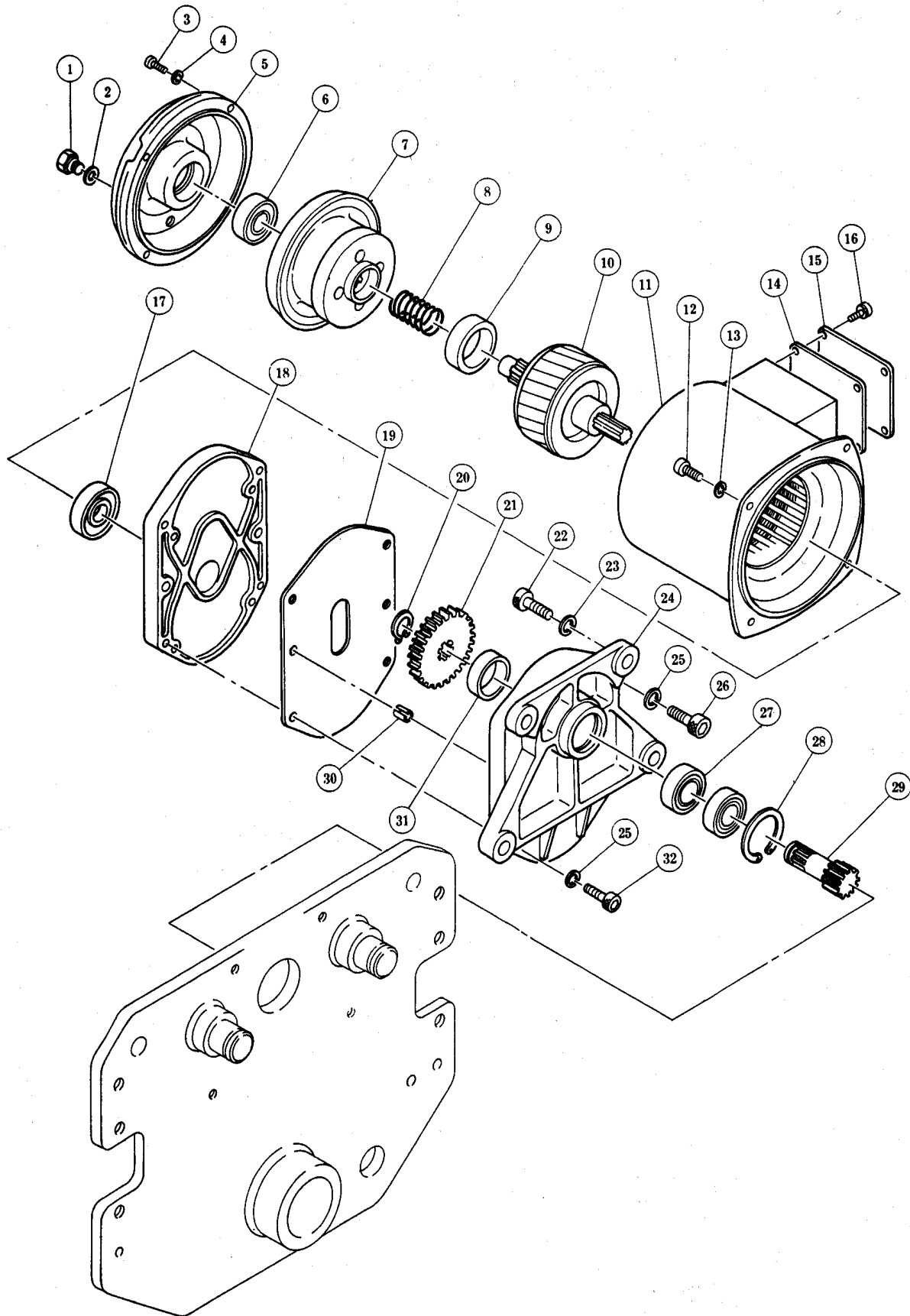
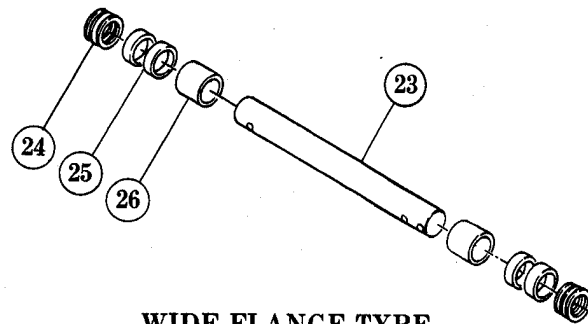
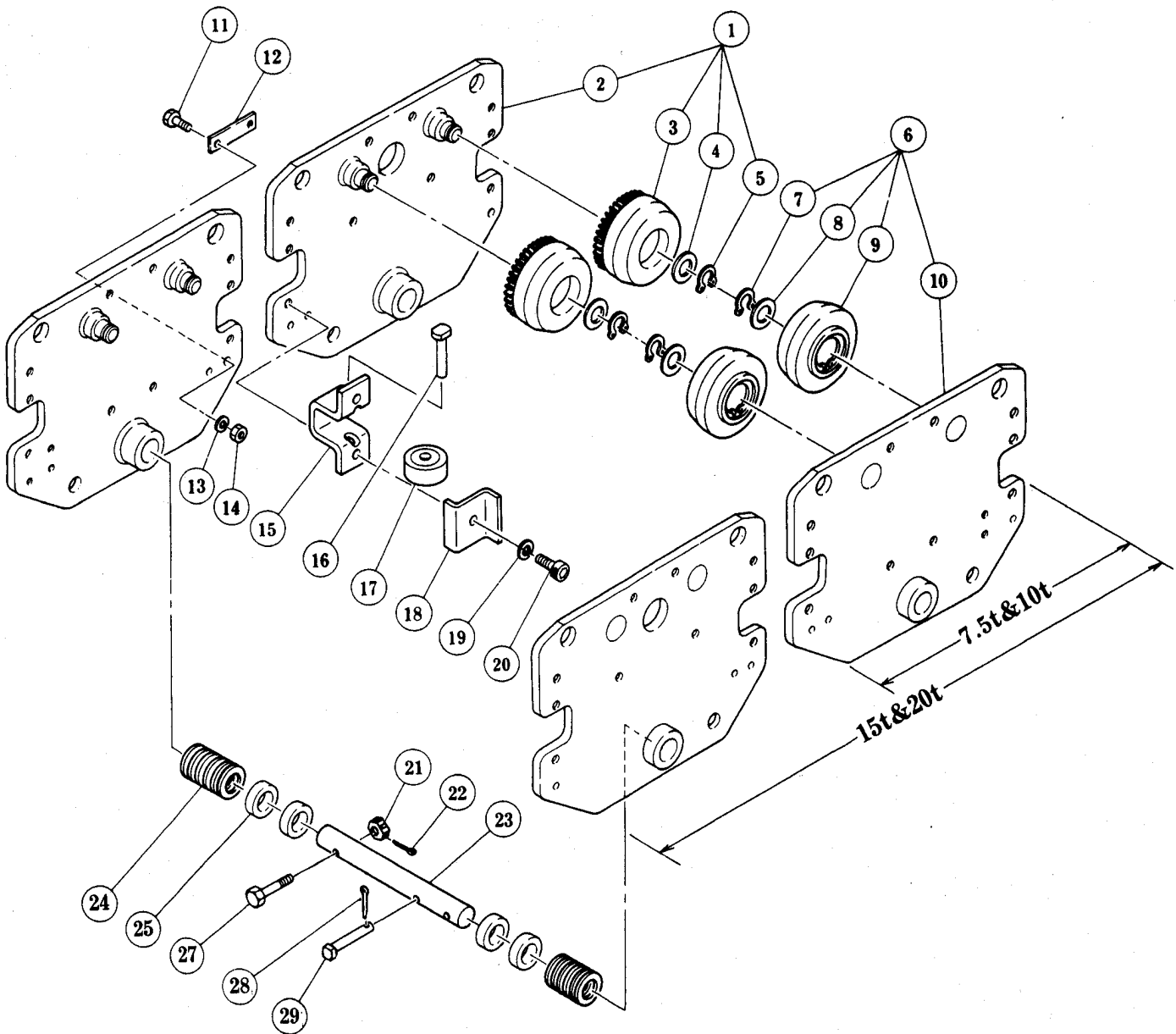


Fig No	Part No	Part Name	Nos per Trolley				Capacity			
			7.5t	10t	15t	20t	7.5t	10t	15t	20t
1	MS231	Inspection Screw	1		2					
2	E6F108	Plug Packing	1		2					
3	MS258	Socket Bolt	4		8					
4	E6F084	Spring Washer	4		8					
5	MS205	Motor Cover	1		2					
6	MS271	Ball Bearing	1		2					
7	MS5302	Brake Drum Assembly	1		2					
8	MS304	Brake Spring	1		2					
9	MS305	Bumper	1		2					
10	MS5502	Motor Shaft with Rotor	1		2					
11	MS5501	Motor Frame with Sator	1		2					
12	MS256	Socket Bolt	4		8					
13	E6F854	Spring Washer	4		8					
14	M6F207	Terminal Cover Packing	1		2					
15	M6F206	Terminal Cover	1		2					
16	E6F151	Machine Screw with Spring Washer	4		8					
17	MS272	Ball Bearing	1		2					
18	MS202	Gear Box B	1		2					
19	MS203	Gear Box Packing	1		2					
20	MS275	Snap Ring	1		2					
21	MS212	Gear # 2	1		2					
22	MS251	Socket Bolt	4		8					
23	M6F576	Spring Washer	4		8					
24	MS201	Gear Box A	1		2					
25	E6F854	Spring Washer	4		8					
26	MS255	Socket Bolt	2		4					
27	MS273	Ball Bearing	2		4					
28	MS274	Snap Ring	1		2					
29	MS213	Gear # 3	1		2					
30	MS253	Set Pin	2		4					
31	MS214	Spacer	1		2					
32	MS256	Socket Bolt	2		4					

# B HOUSING PARTS



**WIDE FLANGE TYPE  
AS OPTION**

Fig No.	Part No.	Part Name	Nos per Trolley				Capacity			
			7.5 t	10 t	15 t	20 t	7.5 t	10 t	15 t	20 t
1	MS1111	Side Plate G Complete Set	1		2					
2	MS5111	Side Plate G Assembly	1		2					
3	MS1101	Track Wheel G Assembly	2		4		F			
	MS1105						Z			
4	MS104	Washer	2		4					
5	MS153	Snap Ring	2		4					
6	MS1112	Side Plate S Complete Set	1		2					
7	MS153	Snap Ring	2		4					
8	MS104	Washer	2		4					
9	MS1102	Track Wheel S Assembly	2		4		F			
	MS1106						Z			
10	MS5112	Side Plate S Assembly	1		2					
11	MS106	Bolt			4					
12	MS105	Connection Plate			2					
13	MS174	Spring Washer			4					
14	MS173	Nut			4					
15	MS142	Side Roller Holder	4		8					
16	MS143	Roller Pin	4		8					
17	MS141	Side Roller	4		8					
18	MS144	Stopper Plate	4		8					
19	MS172	Spring Washer	6	8	16					
20	MS171	Socket Bolt	6	8	16					
21	MS162	Slotted Nut	1		2					
22	MS163	Split Pin	1		2					
23	MS115	Suspension shaft	1		2					
	MS181		1 (W)		2 (W)					
24	MS118	Thin Spacer	8		16					
25	MS117	Thick Spacer B	6		12					
			7 (W)		14 (W)					
26	MS182	Fixing Spacer	2 (W)		4 (W)					
27	MS161	Bolt	1		2					
28	MS165	Split Pin	1		2					
29	MS164	Shaft Stopper Pin	1		2					

Note: (F) indicates Tapered flange wheel.  
(Z) indicates Flat flange wheel.  
(W) indicates the quantity for wide flange type.

# C CONTROL STATION AND CABLE PARTS FOR 7.5t

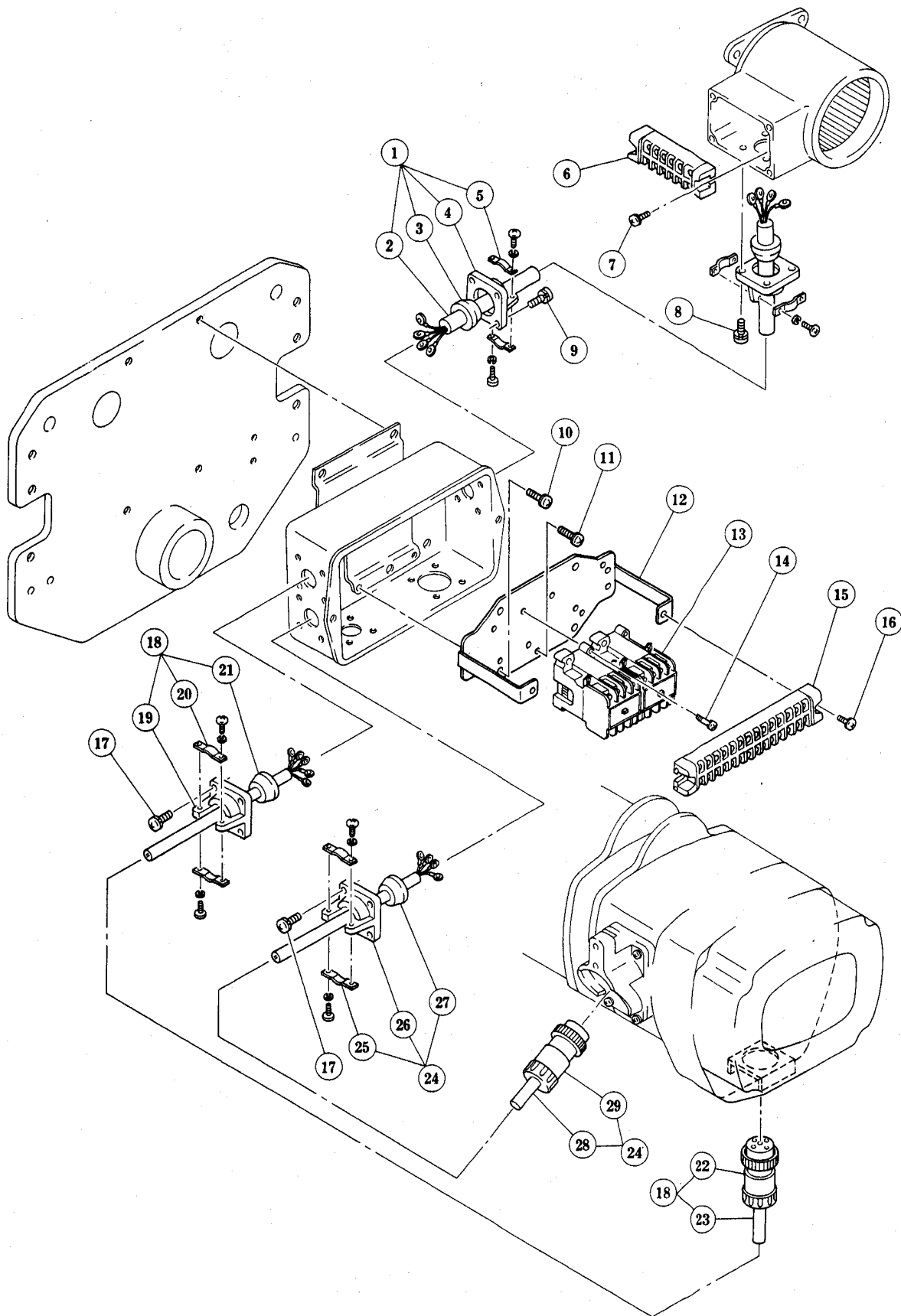


Fig No	Part No	Part Name	Nos per Trolley	Capacity
			7.5t	
1	MS1521	Cable 4C Complete Set	1	
2	MS 521	Cable 4C	1	
3	M6F523	Cable Packing 14	2	
4	E6FL538	Cable Holder M	2	
5	M6F1524	Cable Clamp 14 Assembly	2	
6	M6F518	Terminal Plate 6P	1	
7	E6F652	Machine Screw with Spring Washer	2	
8	E6F551	Machine Screw with Spring Washer	4	
9	M6F779	Machine Screw with Spring Washer	4	
10	E 6F151	Machine Screw with Spring Washer	4	
11	MS555	Machine Screw with Spring Washer	1	
12	MS5514	Base Plate Assembly	1	
13	ES617	Electromagnetic Contactor	1	
14	E6F652	Machine Screw with Spring Washer	2	
15	MS519	Terminal Plate 14P	1	
16	E6F652	Machine Screw with Spring Washer	2	
17	M6F779	Machine Screw with Spring Washer	8	
18	MS1610	Cable 5C Complete Set	1	
19	E6FL538	Cable Holder M	1	
20	E6FL1540	Cable Clamp 18 Assembly	1	
21	E6FL539	Cable Packing 18	1	
22	ES613	Plug 5P	1	
23	MS610	Cable 5C	1	
24	MS1601	Cable 4C Complete Set	1	
25	M6F1524	Cable Clamp 14 Assembly	1	
26	E6FL538	Cable Holder M	1	
27	M6F523	Cable Packing 14	1	
28	MS601	Cable 4C	1	
29	ES522	Plug 4P	1	

# CONTROL STATION AND CABLE PARTS FOR 10t,15t,&20t

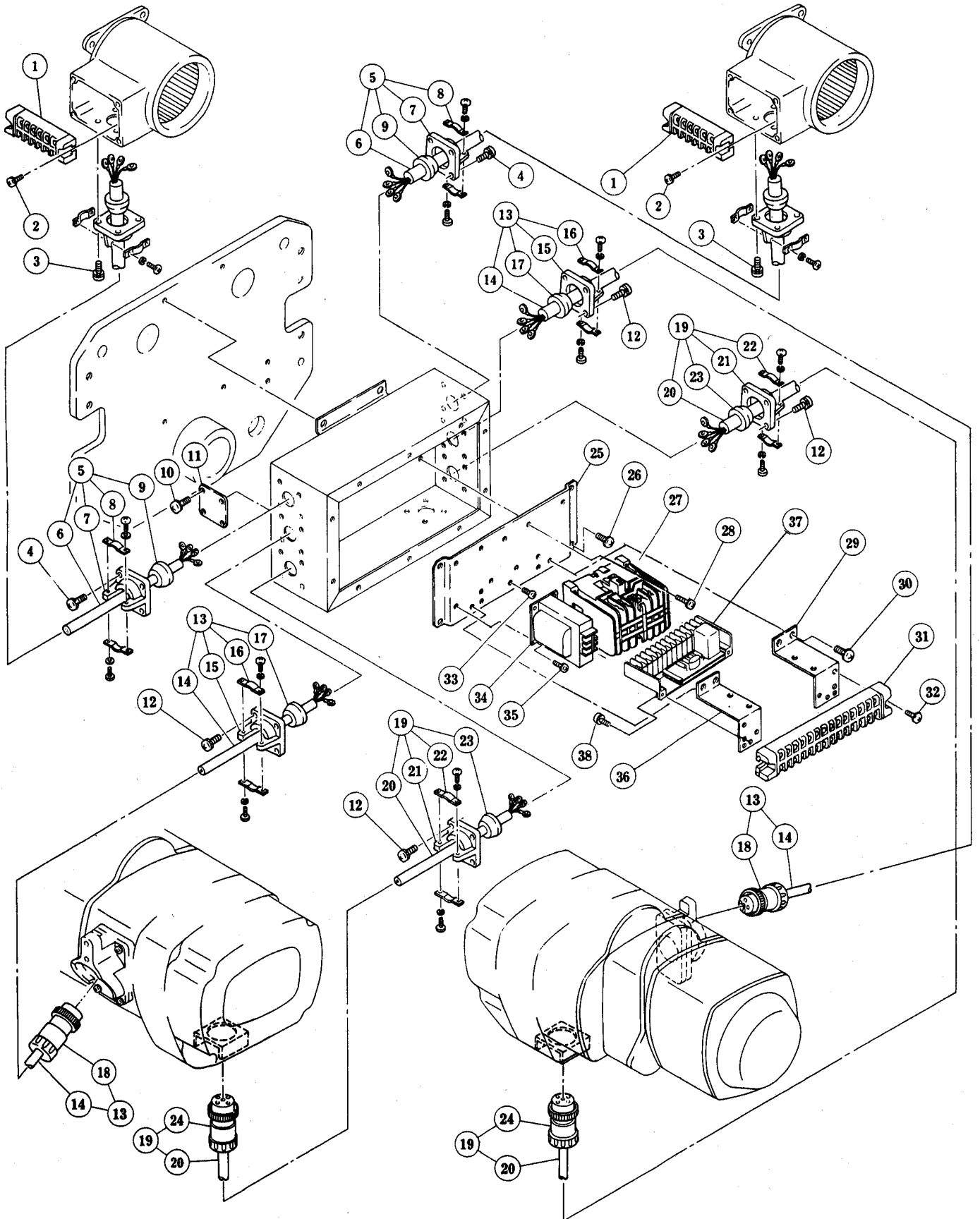




Fig No	Part No	Part Name	Nos per Trolley			Capacity		
			10t	15t	20t	10t	15t	20t
1	M6F518	Terminal Plate 6P	1	2				
2	E6F652	Machine Screw with Spring Washer	2	4				
3	E6F551	Machine Screw with Spring Washer	4	8				
4	M6F779	Machine Screw with Spring Washer	4	8				
5	MS1521	Cable 4C Complete Set	1	2				
6	MS521	Cable 4C	1	2				
7	E6FL538	Cable Holder M	2	4				
8	M6F1524	Cable Clamp 14 Assembly	2	4				
9	M6F528	Cable Packing 14	2	4				
10	E6F151	Machine Screw with Spring Washer	4					
11	E6F525	Lid	1					
12	M6F779	Machine Screw with Spring Washer		16				
13	MS1601	Cable 4C Complete Set		2				
14	MS601	Cable 4C		2				
15	E6FL538	Cable Holder M		2				
16	M6F1524	Cable Clamp 14 Assembly		2				
17	M6F523	Cable Packing 14		2				
18	ES522	Plug 4P		2				
19	MS1610	Cable 4C Complete Set		2				
20	MS610	Cable 4C		2				
21	E6FL538	Cable Holder M		2				
22	E6F1540	Cable Clamp 18 Assembly		2				
23	E6FL539	Cable Packing 18		2				
24	ES613	Plug 5P		2				
25	MS514	Base Plate		1				
26	MS554	Machine Screw with Spring Washer		4				
27	ES617	Electromagnetic Contactor		1				
28	E6F652	Machine Screw with Spring Washer		2				
29	MS516	Terminal Plate Holder R		1				
30	E6F151	Machine Screw with Spring Washer		4				
31	MS519	Terminal Plate 14P		1				
32	E6F652	Machine Screw with Spring Washer		2				
33	MS555	Machine Screw with Spring Washer		1				
34	MS546	Transformer		1				
35	E6FL552	Machine Screw with Spring Washer		4				
36	MS517	Terminal Plate Holder L		1				
37	MS548	Non-Reverse Relay		1				
38	MS555	Machine Screw with Spring Washer		2				

# D PUSH BUTTON CONTROL STATION PARTS 220/380V 50Hz

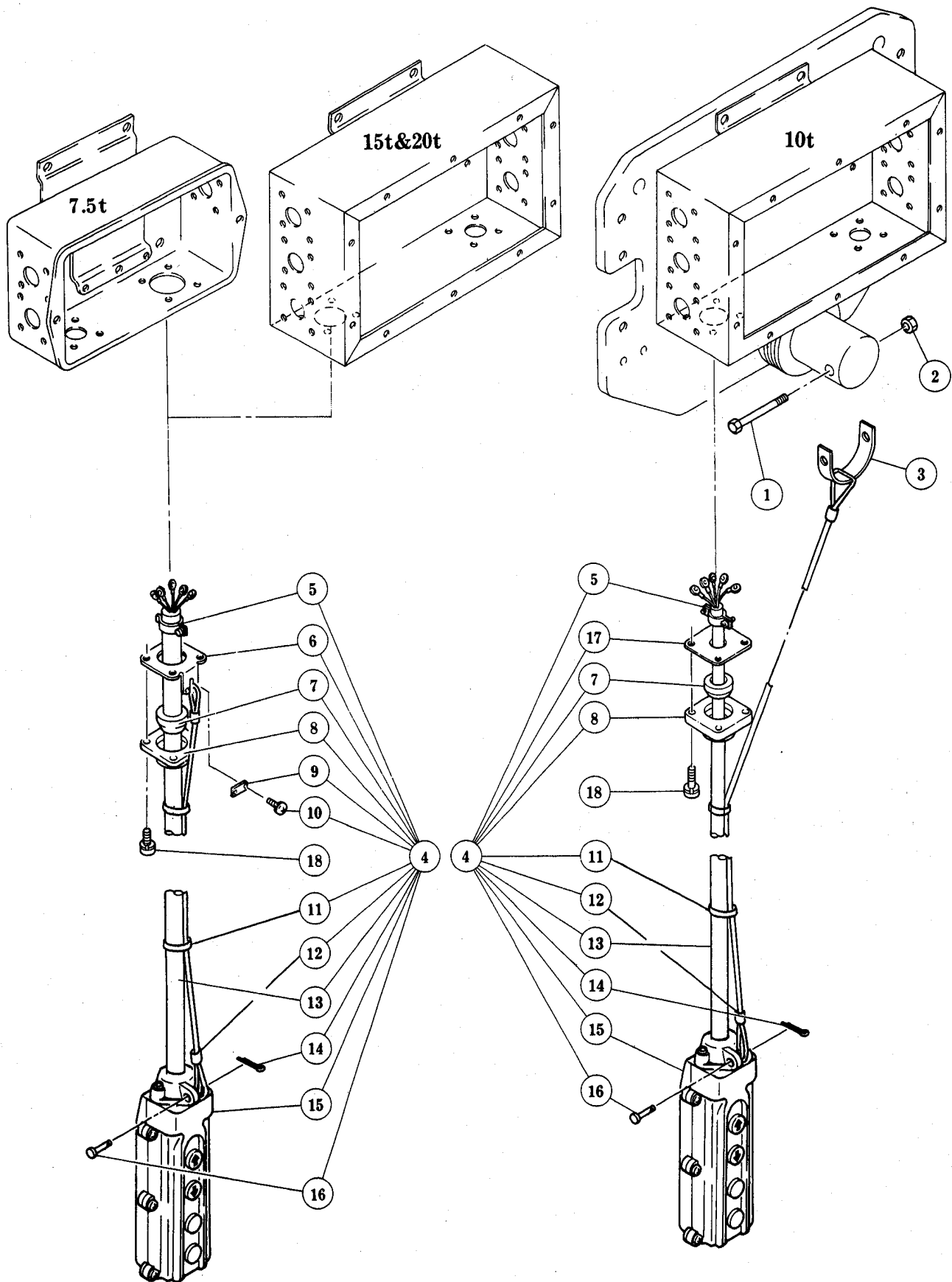


Fig No	Part No	Part Name	Nos per Trolley				Capacity			
			7.5t	10t	15t	20t	7.5t	10t	15t	20t
1	MS527	Bolt		1						
2	MS528	U Nut		1						
3	MS526	Cord Chain Support		1						
4	ESM1503	4 Push Button Cord Complete Set		1						
5	E6F1612	Cable Clamp 14 Assembly		1						
6	MS529	Cord Holder Support 42	1		1					
7	E6F611	Packing 14		1						
8	E6F522	Cable Holder 42		1						
9	M6F530	Cord Chain Stopper	1		1					
10	E6F151	Machine Screw with Spring Washer	2		2					
11	E3S637	Lock-belt		2						
12	E3S638	Fixing sleeve		2						
13	ESM503	Push Button Cord 5C		7						
14	E6F671	Split Pin		1						
15	EM1531	4 Push Button Switch Assembly		1						
16	E6F638	Cord Chain Pin		1						
17	E6F537	Holder Plate 42		1						
18	E6F551	Machine Screw with Spring Washer		4						

PUSH BUTTON CONTROL STATION PARTS 220/440V 60Hz & OTHER VOLTAGES

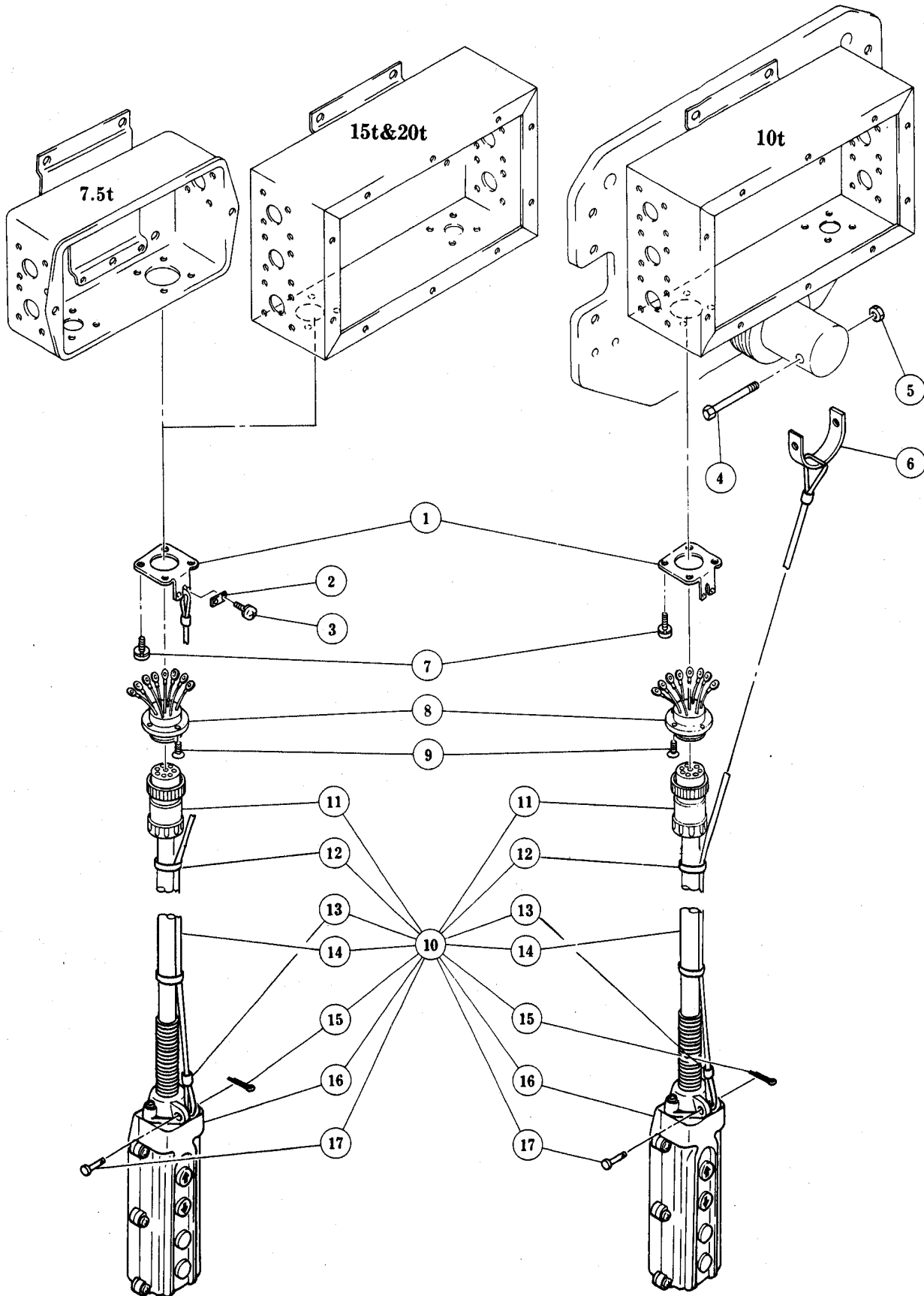


Fig No	Part No	Part Name	Nos per Tralley				Capacity			
			7.5 t	10 t	15 t	20 t	7.5 t	10 t	15 t	20 t
1	MS529	Cord Holder Support 42	1							
2	M6F530	Cord Chain Stopper	1		1					
3	E6F151	Machine Screw with Spring Washer	2		2					
4	MS527	Bolt		1						
5	MS528	U Nut		1						
6	MS526	Cord Chain Support		1						
7	E6F151	Machine Screw with Spring Washer	4							
8	MS5539	Socket 8P Assembly	1							
9	E6FL558	Flat Head Machine Screw	4							
10	ESM1503	4 Push Button Cord Complete Set	1							
11	MS538	Plug 8P	1							
12	E3S637	Lock-belt	2							
13	E3S638	Fixing sleeve	2							
14	ESM503	Push Button Cord 5C	1							
15	E6F671	Split Pin	1							
16	ESM1531	4 Push Button Switch Assembly	1							
17	E6F638	Cord Chain Pin	1							

# E POWER SUPPLY PARTS

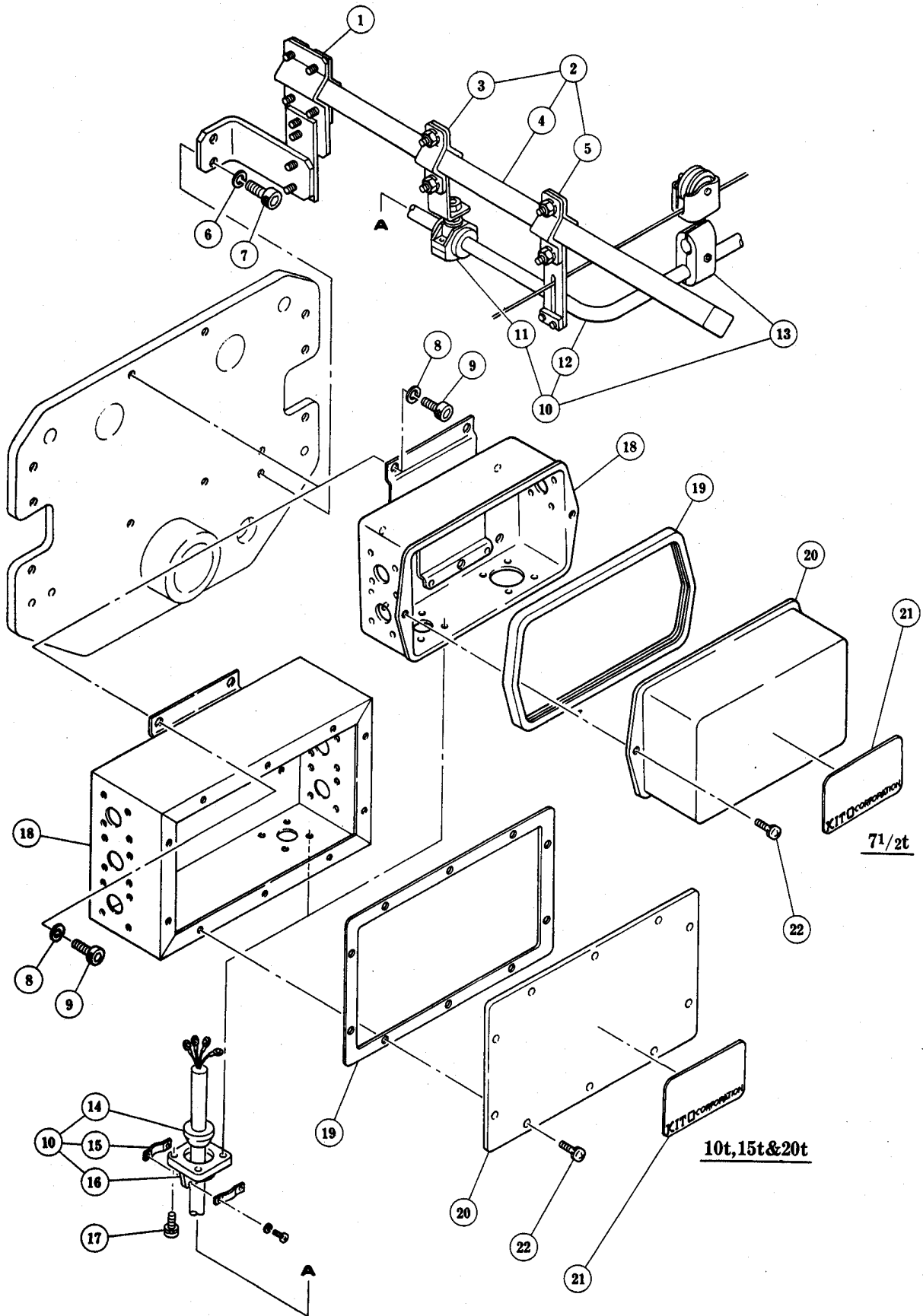
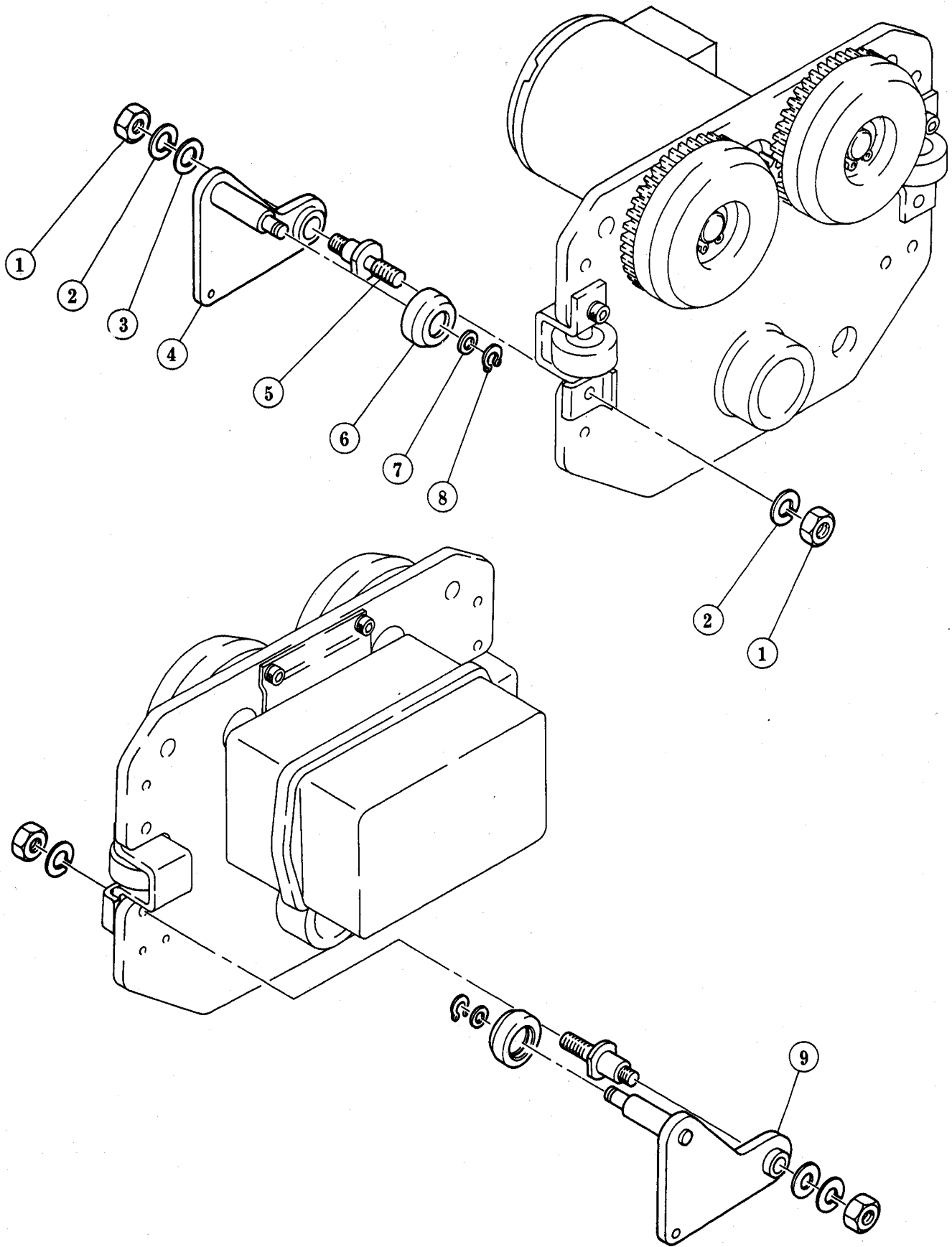


Fig No	Part No	Part Name	Nos per Trolley				Capacity			
			7.5 t	10t	15 t	20t	7.5 t	10 t	15 t	20t
1	MS1542	Bar Holder Assembly	1							
2	M6F1721	Cable Support Bar Assembly	1							
3	M6F1723	Cable Support Arm Assembly	1							
4	M6F721	Cable Support Bar	1							
5	M6F1727	Wire Guide Assembly	1							
6	M6F576	Spring Washer	2							
7	M6F575	Socket Bolt	2							
8	M6F576	Spring Washer	4							
9	M6F575	Socket Bolt	4							
10	MS1731	Power Supply Cable 4 C Assmbly	1							
11	MS1724	Cable Support Assembly	1							
12	MS731	Power Supply Cable 4C	1							
13	MS1733	Cable Hanger Assembly	6							
14	MS729	Cable Packing 16	1	/						
	E6FL539	Cable Packing 18								
15	MS1735	Cable Clamp 16 Assembly	1	/						
	E6FL1540	Cable Clamp 18 Assembly								
16	E6FL538	Cable Holder M	1							
17	M6F779	Machine Screw with Spring Washer	4							
18	MS5511	Switch Box Assembly	1							
19	MS513	Switch Box Packing	1							
20	MS512	Switch Box Lid	1							
21	MS801	Name Plate	1							
22	E6F151	Machine Screw with Spring Washer	2	10						

**OPTIONAL PARTS FOR 7.5t**









**KITO** CORP

3-37-4, Yoyogi, Shibuya-ku,  
Tokyo 151, Japan  
Tel. : 03-5371-7341  
Fax. : 03-5371-7349  
Tlx. : 222-2942 KITO J