
OWNER'S (OPERATOR'S) MANUAL AND SAFETY INSTRUCTIONS FOR KITO MINI TROLLEY

BEFORE USING THIS PRODUCT :

ALWAYS SAVE THIS MANUAL FOR FUTURE REFERENCE

ALWAYS READ OWNER'S (OPERATOR'S) MANUAL AND SAFETY INSTRUCTIONS

- ⚠ WARNING** : **IMPROPER** trolley use could result in death or serious injury. To avoid these hazards:
- : **NEVER** hoist loads over or near people.
 - : **NEVER** work under or near hoisted loads.
 - : **ALWAYS** operate, inspect and maintain this trolley in accordance with applicable safety codes and regulations.

These safety instructions contain important information to help you use the trolley in a safe manner. Please refer to this Owner's (Operator's) Manual for additional safety information.

1. ATTACHING ADJUSTING SPACERS

Remove the top hook of the electric chain hoist and fit together adjusting spacers to the trolley with the top yoke. 34 adjusting spacers (3.2mm thickness) and 2 Adjusting Spacer-Bs (1mm) are accompanied. With 32 of Adjusting Spacer as shown in the following table, fix the trolley frames' distance so that Dimension A approximately equals Dimension B (beam width) plus 3mm as illustrated.

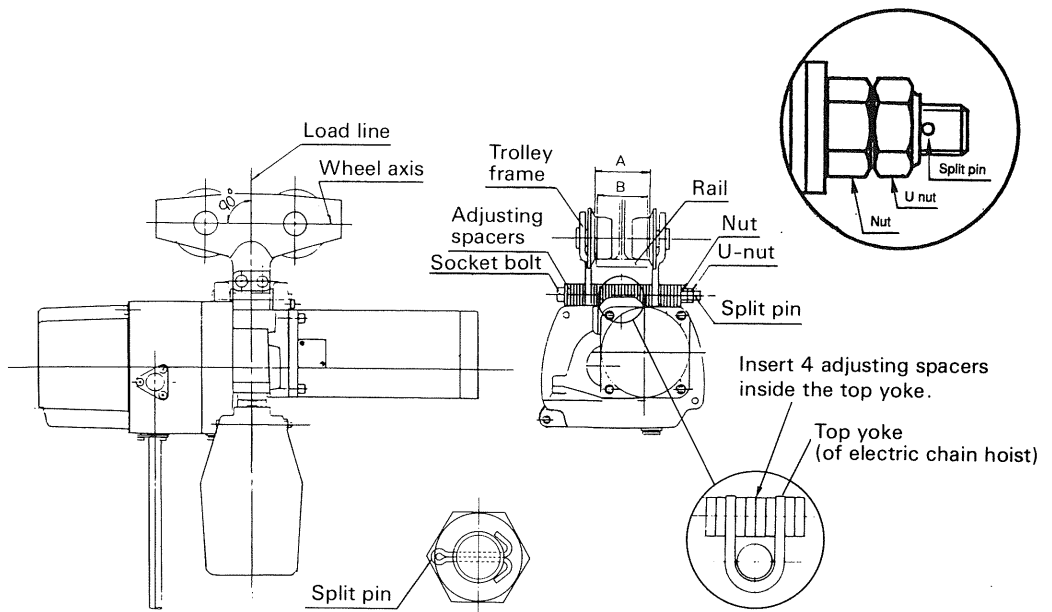
Adjusting spacers		Number of spacers				
		Outside of left frame	Between left frame and top yoke	Inside top yoke	Between right frame and top yoke	Outside of right frame
50	H-steel	8	6	4	6	8
	I-steel	5	9	4	9	5
68	H-steel	5	9	4	9	5
	I-steel	5	9	4	9	5
98	H-steel	0	14	4	14	0
100	I-steel	0	14	4	14	0

⚠ WARNING : Incorrect number of adjusting spacers may cause the trolley not to move or to drop. To avoid these hazards :
ALWAYS make sure to use all 32 pieces and confirm that $A - B = 3 \text{ mm}$.

2. FITTING SOCKET BOLTS

Set the trolley so that the wheel axis is right angle to the load line. Attach the socket bolt, nut and U nut (double nut system), adjusting the clearance of 2mm or less between the split pin hole and U nut with 2 Adjusting Spacers and 2 Adjusting Spacer-Bs, and then tighten them and secure the split pin to the bolt.

⚠ WARNING : To avoid the trolley from dropping, firmly fasten the socket bolt, nut, and U-nut. Insert split pin and bend its ends 90° or more.



3. INSTALLING TROLLEY TO RAIL

⚠ WARNING : For all trolley suspended electric chain hoists, rail stops must be installed at each end of the rail. Failure to install rail stops will allow the hoist and trolley to fall off the end of the rail and thus cause an accident that could result in injury and/or property damage. The stops must be positioned so as to not exert impact force on the electric chain hoist frame or trolley wheels. They must contact the ends of the trolley side frames.

⚠ WARNING : Rail stops should be attached with buffers to alleviate trolley impact force.



KITO CORP

3-37-4, Yoyogi, Shibuya-ku,
Tokyo 151-0053, Japan
TEL:03-5371-7341
FAX:03-5371-7349
TELEX:222-2942 KITO J
CABLE:KITOKSK TOKYO
URL <http://www.kito.co.jp>

Printed in Japan 2000.11-2(N)