
**SUPPLEMENTARY MANUAL
Owner's (Operator's) Manual
and Safety Instructions**

**Manually Lever Operated Chain Hoist Model L5
with Slip Clutch**

KITO

Introduction

This manually lever operated chain hoist model L5 with the slip clutch is equipped with a friction clutch. This clutch is designed to protect the hoist against damage by slipping the lever in the event of excessive overload lifting.

Important Information and Warnings

⚠ DANGER

This supplementary manual is intended for use in combination with the “Owner’s Operator’s) Manual and Safety Instructions, Manually Lever Operated Chain Hoist Model L5”. Failure to read and comply with all the contents of these manuals could lead to serious or even fatal injury, and/or property damage.

- Do not disassemble or adjust the slip clutch.
- Do not operate the hoist under an overload.
- Do not continue to lift a load when the slip clutch operates. Lower the load.
- Do not operate the hoist in a manner generating an impact load.
- Do not use the slip clutch regularly.
Excessive use of the slip clutch may decline the slipping load.
- Do not use the hoist to detect an overload.
- Do not attach oil such as grease to the clutch plate.
- Do not lift an anchored object.
- Do not lower excessively.

Failure to comply with these instructions may result in death or serious injury.

⚠ CAUTION

- Do not store the hoist for a long period in the atmosphere including oil mist.
- In the case that an overload via the hook of the hoist attached to the hook of the crane is lifted by the crane, the slip clutch will not operate since this is not lever operation. Use the hoist properly according to the safety instructions.

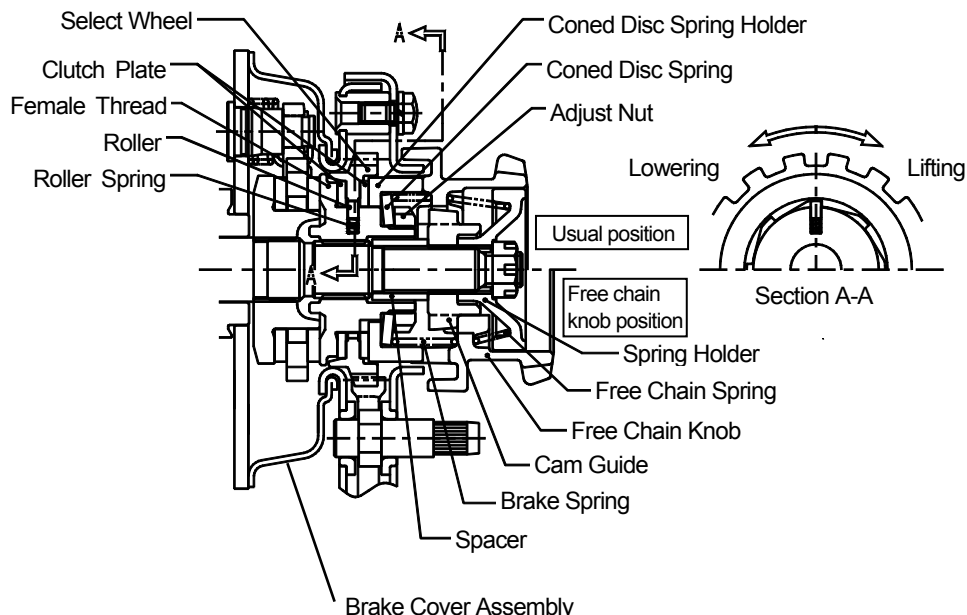
Failure to comply with these instructions may result in the injury or the proper damage.

Note

- If the slip clutch is activated with the rated load or less, needs to be replaced, contact your dealer.

Structure and Specifications

■ Structure



■ Specifications

The manually lever operated chain hoist model L5 with the slip clutch is designed to protect the hoist body and load chain against damage with the friction clutch in the event of excessive overload in lifting operation. The clutch slips the select wheel compressed between the clutch plates by the force of the cone disc spring.

- Applicable model: Manually lever operated chain hoist model L5 (0.8 t to 9 t)
- Visual identification : All the components are the same as the standard except that the free chain knob is black.
- Dimensions : Equivalent to the standard model L5
- Operating condition and environment : Equivalent to the standard model L5
- When the slip clutch operates the maximum force to all the hoists is approximately 2.4 times of the rated load except for LB008 - 3 times.
- Weight (for standard lift)

Product code	LB008	LB015	LB025	LB030	LB060	LB090
Net weight (kg)	6.0	8.4	11.6	15.2	26.2	40.2

▲ DANGER

- Do not disassemble or adjust the female thread assembly (female thread, clutch plate, select wheel, roller, roller spring, spring disc holder, spring disc and adjust nut).
- Do not operate the hoist in free chaining mode under a load. The slip clutch will not work in free chaining mode (while the free chain knob is pulled upwards).

Failure to comply with these instructions may result in death or serious injury.

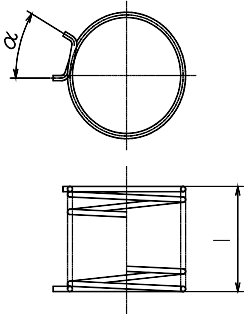
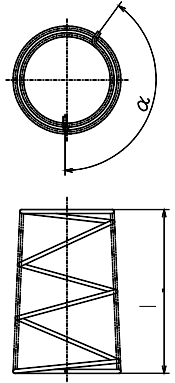
Daily and Periodic Inspection

■ DAILY Inspection

Follow the instructions in Owner's (Operator's) Manual and Safety Instructions for Manually Lever Operated Chain Hoist Model L5.

■ PERIODIC Inspection

In addition to the items in Owner's (Operator's) Manual for Manually Lever Operated Chain Hoist Model L5, check the following items as well.

Item	Method	Criteria	Action																					
Deformation of Brake Spring 	Check visually	Length l should be free of compressive deformation. Angle α should not be beyond the limit. <table border="1" data-bbox="494 828 1197 1086"> <thead> <tr> <th rowspan="2">Capacity (t)</th> <th colspan="2">Length l (mm)</th> <th colspan="2">Angle: α (°)</th> </tr> <tr> <th>Standard</th> <th></th> <th>Standard</th> <th>Limit</th> </tr> </thead> <tbody> <tr> <td>3/4</td> <td rowspan="3">36</td> <td rowspan="3"></td> <td rowspan="3">30</td> <td rowspan="3">45</td> </tr> <tr> <td>1 1/2</td> </tr> <tr> <td>2 1/2</td> </tr> <tr> <td>3, 6, 9</td> <td>40</td> <td></td> <td>25</td> <td>40</td> </tr> </tbody> </table>	Capacity (t)	Length l (mm)		Angle: α (°)		Standard		Standard	Limit	3/4	36		30	45	1 1/2	2 1/2	3, 6, 9	40		25	40	Replace the Brake Spring.
Capacity (t)	Length l (mm)			Angle: α (°)																				
	Standard		Standard	Limit																				
3/4	36		30	45																				
1 1/2																								
2 1/2																								
3, 6, 9	40		25	40																				
Deformation of Free Chain Spring 	Check visually	Length l should not be the limit or below. Angle α should not be beyond the limit. <table border="1" data-bbox="494 1310 1197 1568"> <thead> <tr> <th rowspan="2">Capacity (t)</th> <th colspan="2">Length l (mm)</th> <th colspan="2">Angle: α (°)</th> </tr> <tr> <th>Standard</th> <th>Limit</th> <th>Standard</th> <th>Limit</th> </tr> </thead> <tbody> <tr> <td>3/4</td> <td rowspan="3">67</td> <td rowspan="3">60</td> <td rowspan="3">145</td> <td rowspan="3">160</td> </tr> <tr> <td>1 1/2</td> </tr> <tr> <td>2 1/2</td> </tr> <tr> <td>3, 6, 9</td> <td>75</td> <td>68</td> <td>110</td> <td>125</td> </tr> </tbody> </table>	Capacity (t)	Length l (mm)		Angle: α (°)		Standard	Limit	Standard	Limit	3/4	67	60	145	160	1 1/2	2 1/2	3, 6, 9	75	68	110	125	Replace the Free Chain Spring.
Capacity (t)	Length l (mm)			Angle: α (°)																				
	Standard	Limit	Standard	Limit																				
3/4	67	60	145	160																				
1 1/2																								
2 1/2																								
3, 6, 9	75	68	110	125																				
Spacer	Check visually	No excessive deformation, damage or wear.	Replace the spacer.																					

Troubleshooting

In addition to the items in Owner's (Operator's) Manual for Manually Lever Operated Chain Hoist Model L5, check the following items as well.

Symptom	Cause	Remedy
Hoist will not lift under the rated load	Failure of the slip clutch and other components caused by applying frequently an excessive overload to the hoist.	Contact your dealer. Do not operate frequently the hoist under an excessive overload. Always use the hoist under the rated load or less.
Hoist will lift a load only halfway.	Slip clutch is working.	Reduce the load under the rated load.
Lever operation is not smooth	Deformation or damage of the parts such as pinion or spacer due to a drop of the hoist and other external impact.	Check the parts and replace deformed or damaged parts. Avoid external impact.

Part List

The following list shows the dedicated parts for Manually Lever Operated Chain Hoist L5 with the slip clutch. For the common parts with the standard L5 product, see Owner's (Operator's) Manual and Safety Instructions for Manually Lever Operated Chain Hoist L5.

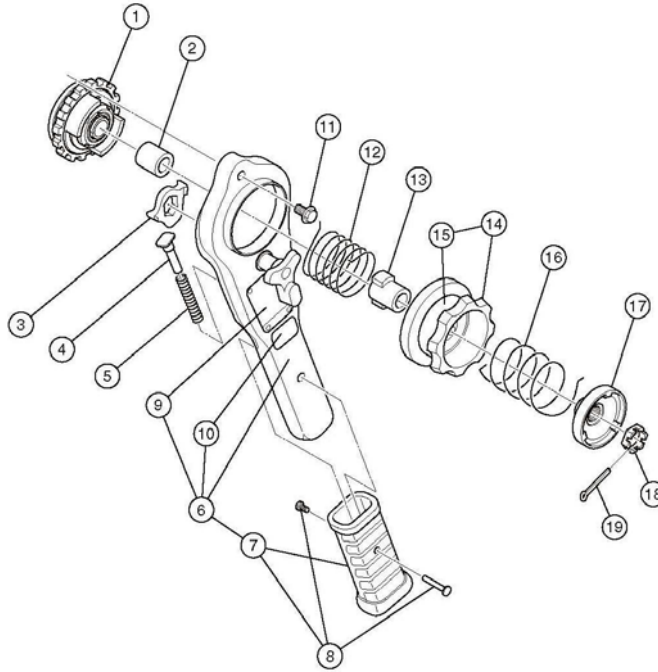


Fig. #	Part #	Part Name	Nos. per Hoist	Capacity (tonnes)						Remark
				3/4	1 1/2	2 1/2	3	6	9	
1	5301-OLL	Female Thread Assembly	1	L5FA008-5301			L5FA032-5301			
2	310-OLL	Spacer	1	L5FA008-9310			L5FA032-9310			
3	218	Select Pawl	1	L4BA008-9218			L4BA015-9218			
4	222	Spring Shaft	1	L2BA008-9221			L3BA015-9221			
5	223	Select Pawl Spring	1	L2BA008-9223			L2BA015-9223			
6	6211	Lever Assembly	1	L5BA008-6211	L5BA016-6211		L5BA032-6211			
7	231	Grip	1	L5BA008-9231	L5BA016-9231		L5BA032-9231			With biding screw
8	232	Binding Screws	1	L5BA008-9232			L5BA032-9232			
9	800	Nameplate	1	L5BC008-9800	L5BC015-9800	L5BC025-9800	L5BC030-9800	L5BC060-9800	L5BC090-9800	
10	801	Nameplate B	1	L5FU008-9801	L5FU015-9801		L5FU030-9801			
11	221	Hex Cap Screw	1	L4BA008-9221			L4BA015-9221			
12	207-OLL	Brake Spring	1	L5FA008-9207			L5FA032-9207			
13	203-OLL	Cam Guide	1	L5FA008-9203			L5FA032-9203			
14	5201-OLL	Free Chain Knob Assembly	1	L5FA008-5201			L5FA032-5201			With name plate U
15	810	Nameplate U	1	L5BA008-9810						
16	205-OLL	Free Chain Spring	1	L5FA008-9205			L5FA032-9205			
17	208-OLL	Spring Holder	1	L5FA008-9208			L5FA032-9208			
18	183	Slotted Nut	1	C3BA020-9049						For pinion
19	187	Split Pin	1	J1PW01-020014						For pinion

KITO

URL:<http://www.kito.ca>

Phone:1-888-322-KITO(Toll free)