



Supplementary Manual for Cylinder-controlled Electric Chain Hoist ER Series

This manual provides information about the single and dual speed cylinder-controlled ER electric chain hoist in the 125kg and 250kg capacities. This manual is intended to be used in combination with the standard ER Owner's (Operator's) Manual and Safety Instructions. Read and comply with both manuals prior to using the hoist.

1 Cylinder-controlled Hoist

- 1.1 This hoist is designed for vertical lifting and lowering of freely suspended load by manipulating the cylinder grip upwards or downwards.
- 1.2 The product code for the cylinder-controlled ER hoist is as follows:

125kg version	CDER001H(D)
250kg version	CDER003S(D)

2 Specifications

2.1 Dimensions(mm)

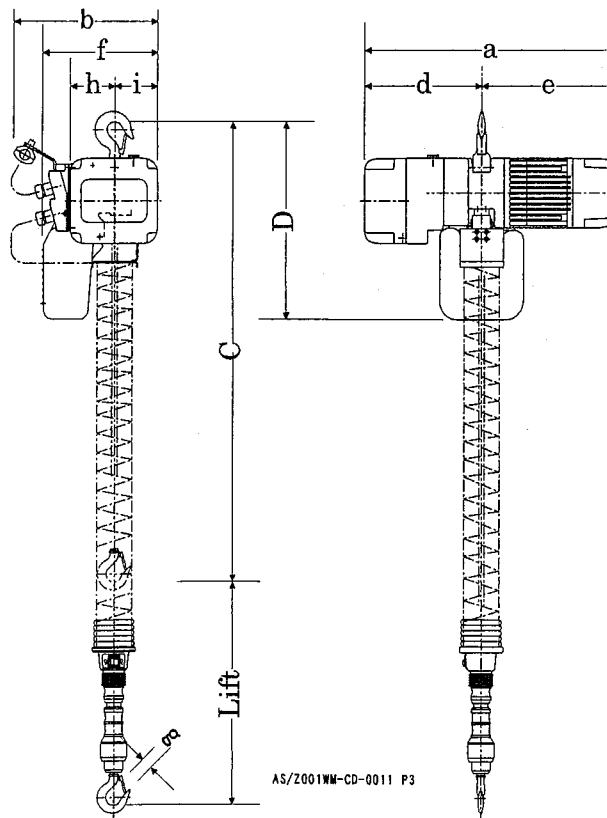


Table Hoist Dimensions

	Product Code	Minimum Headroom: C	D	a	b	d	e	f	g	h	i
Single Speed	CDER001H	1030	450	535	330	264	271	263	27	102	98
	CDER003S	1030	450	535	330	264	271	263	27	102	98
Dual Speed	CDER001HD	1030	450	565	330	264	301	263	27	102	98
	CDER003SD	1030	450	565	330	264	301	263	27	102	98

2.2 Operating Conditions and Environment

Temperature Range: -20° to +40°C(-4° to +104 ° F)

Humidity: 85% or less

Environment: Avoid using the hoist in a wet or dusty atmosphere.

Enclosure Rating: Hoist meets IP55, Cylinder meets IP44

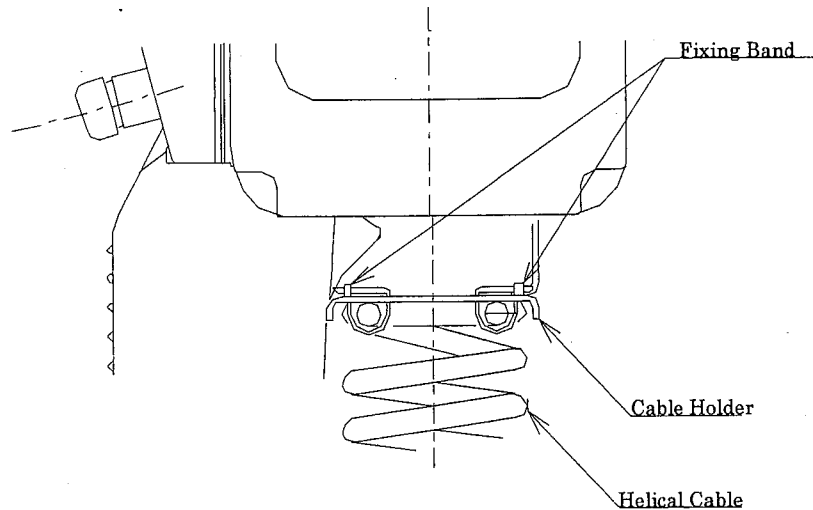
Explosive Proof: Do not use the hoist in an explosive gas or vapor atmosphere.

	Single Speed	Dual Speed
Intermittent Duty Rating:	60%ED	40/20%ED
Short Time Duty Rating:	60 min.	30/10 min.

NOTICE Contact KITO or your dealer before using the hoist under irregular circumstances.

3 Installation

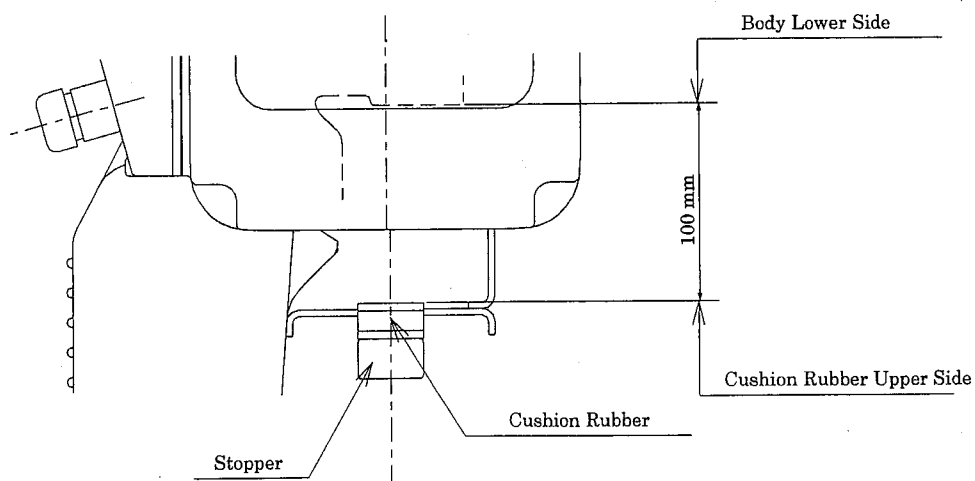
⚠ WARNING Mount the hoist at a height that will allow the operator to maintain at least 100mm clearance between the cushion rubber and the hoist body during normal operation. Refer to the following figure.



AS/Z001WM-CD-002

⚠ CAUTION Do Not install the hoist where it may be exposed to water or rain.

- 3.1 Refer to the wiring diagram provided with the hoist and wire the Cylinder Switch to the hoist. Arrange the Helical Cable to surround the load chain. Secure the Helical Cable to the Cable Holder using the Fixing Band as shown in the figure below.



AS/Z001WM-CD-002

4 Operation

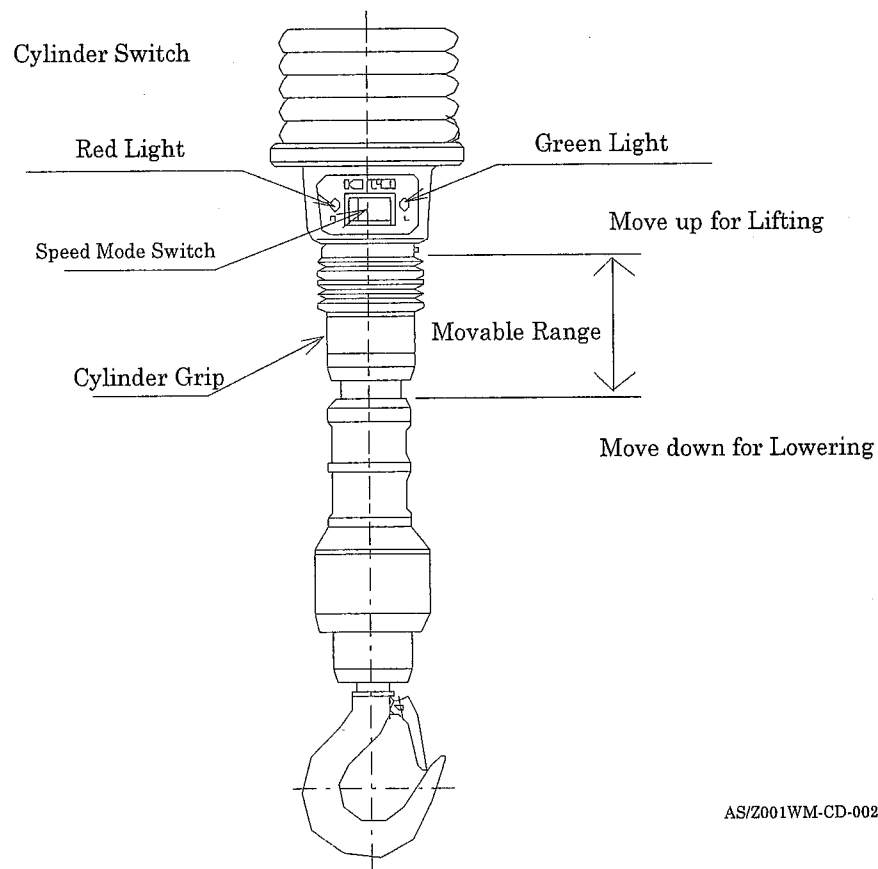
⚠ WARNING Do not use the limit switch or friction clutch on a regular basis. These devices are for emergency use only. They are not intended for regular operational use.

4.1 Lifting or Lowering

For lifting slide the cylinder grip upwards. For lowering slide the cylinder grip downwards. Refer to the figure below.

4.2 Speed Control (for dual speed hoists only)

The Speed Mode switch controls the speed. Shift the switch to the left for high speed, this will turn on the red indicator light. Shift the switch to the right for low speed, this will turn on the green indicator light. Refer to the following figure.



AS/Z001WM-CD-002