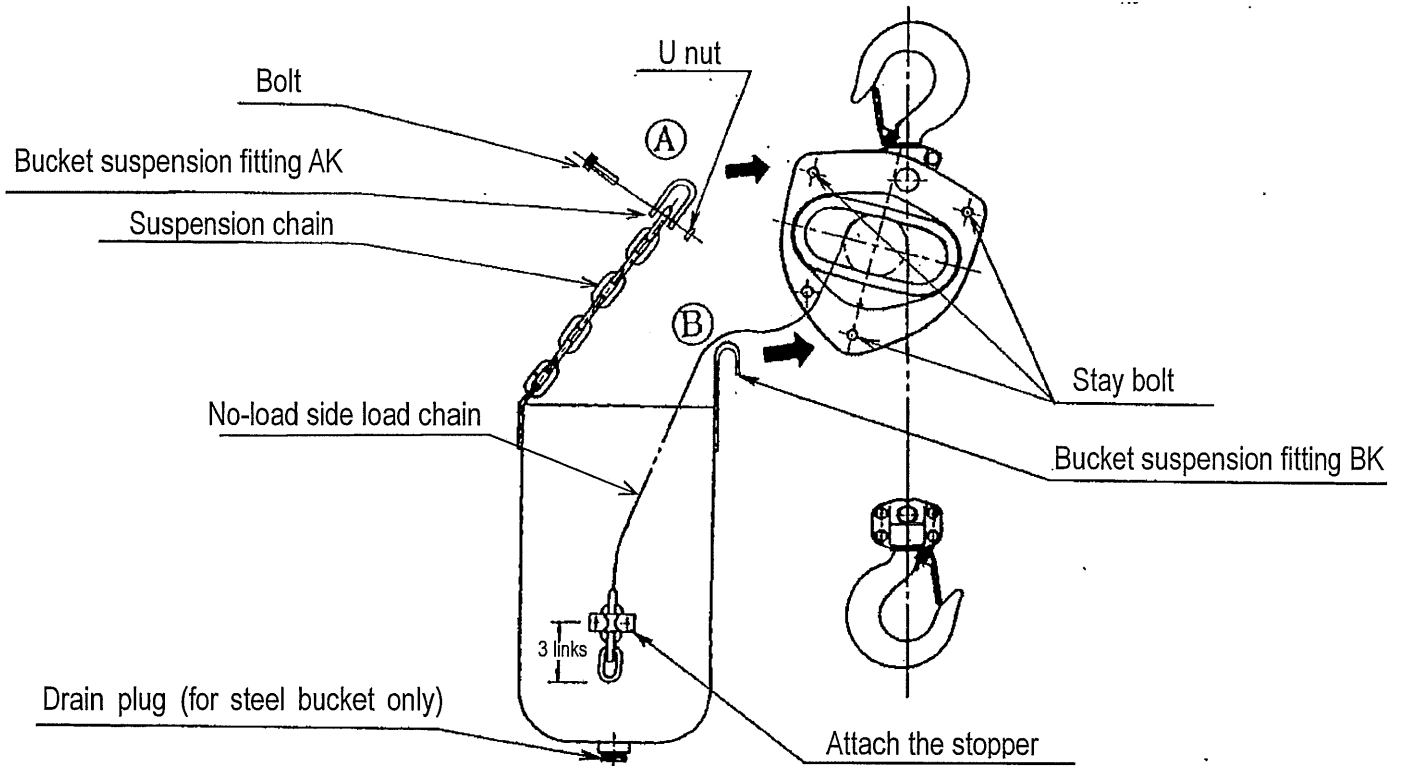


# Steel or Cloth Chain Bucket for Kito M3 Type Chain Block

## Installation Procedure



### Permissible lift of chain bucket (for steel and cloth chain buckets)

Type of chain block (T)	0.5	1	1.5	2	2.5	3	5
Permissible lift (m)	1.2	1.2	1.2	1.2	1.2	6	6

### Installation procedure

1. First, hook section B on a stay bolt on the main body of the chain block.  
Then attach section A by fastening a bolt and a U nut. There are 3 stay bolts on the main body.  
Attach section B on the lower stay bolt, and section A on a stay bolt on the no-load side of the two upper stay bolts.
  - Make sure the suspension chain does not get twisted.
2. Attach the stopper in the third link from the end link of the no-load side load chain.  
Then put the chain from the end link slowly and in such a manner that the chain does not get tangled up.
  - Do not fix the end link on the main body of the chain block.
  - Do not put the whole of the no-load side load chain in the bucket at the same time.

## Handling Precautions



### **Caution**

Observe the following instructions.

Failure to observe these instructions may result in death or serious injury.

- Never apply load in an inclined direction with respect to the chain block. Always suspend a load directly below the chain block.
- Rain water may enter the chain bucket when used outdoors; drain the bucket as necessary.
- For other details, read and observe the chain block instruction manual.

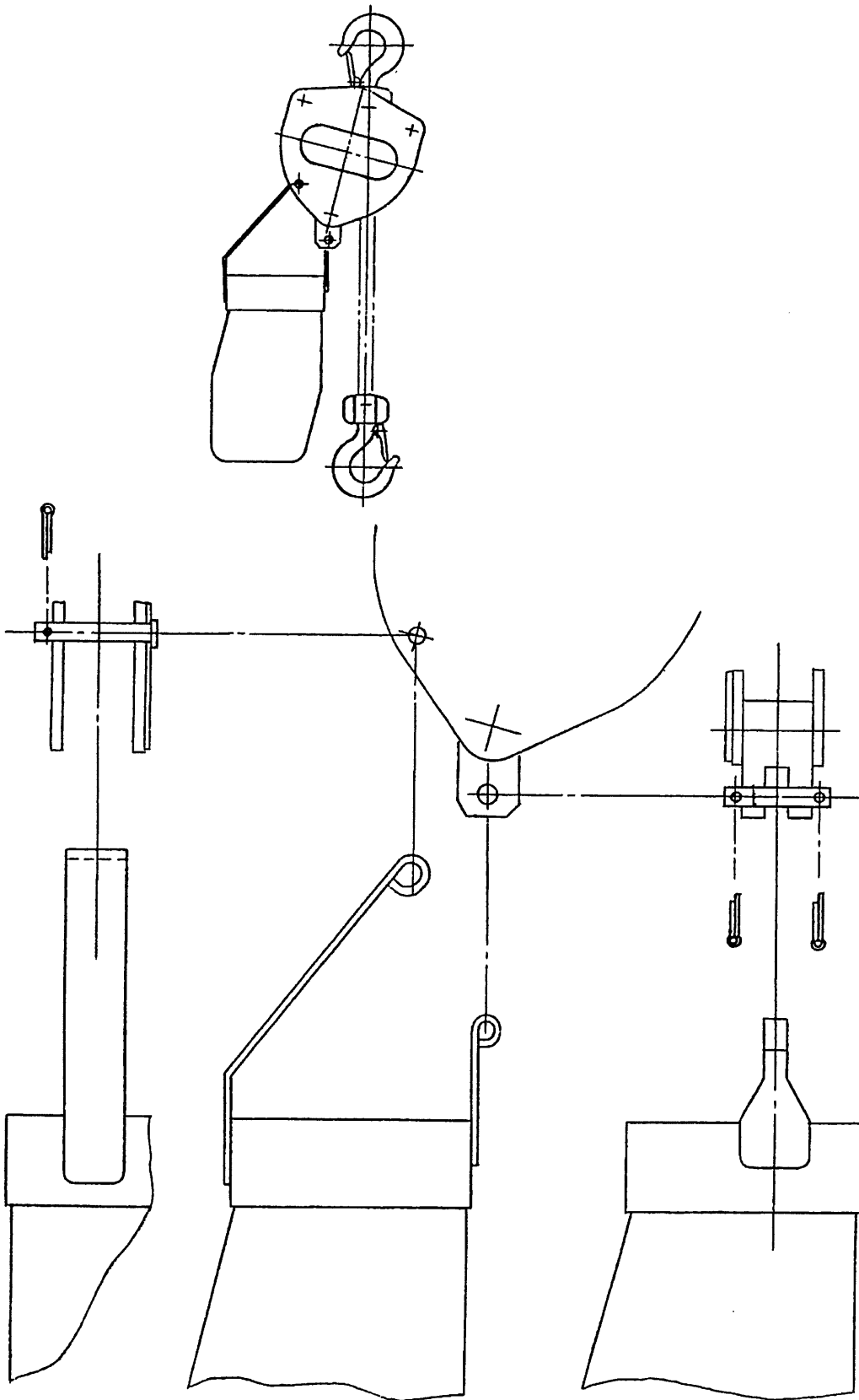
# How to mount bucket to M3CB

## Table of Contents

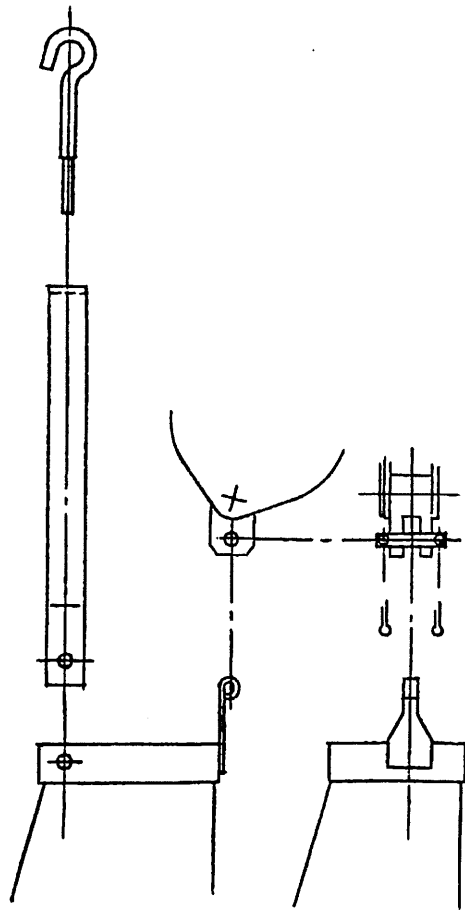
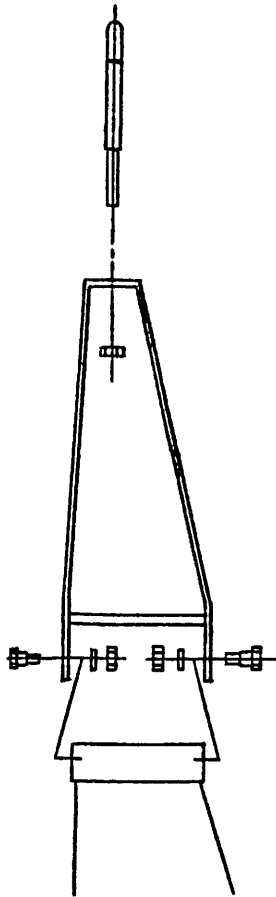
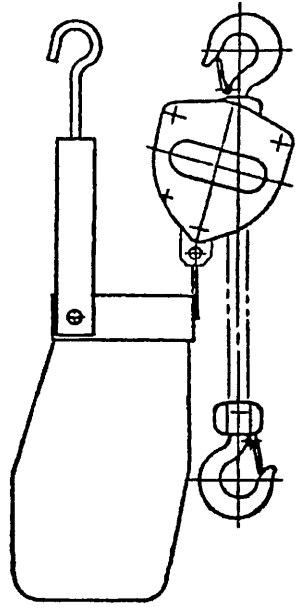
There are 7 types of chain bucket depending on each capacity and lift. Please mount each bucket following illustrative drawings from next page.

No.	CB Capacity	Type of Bucket	Type of Installation	Reference Page
1	0.5t to 7.5t	Canvas Bucket	NA: Mount to CB Body	1
2	0.5t to 10t	SCC	KA: Mount to CB Body	4
3	0.5t to 15t	SCC	KB: Suspended with a Hook Bolt and CB Body	5
4	0.5t to 5t	SCC	KC-1: Suspended with a Container Trolley and CB Body	6
5	7.5t to 10t	SCC	KC-2: Suspended with a Container Trolley and CB Body	7
6	0.5t to 10t	SCC for Curved Beam	KC-R: Suspended with a Container Trolley and CB Body	8
7	More than 20t	SCC x 2	KD: Suspended with 2 Arms Connected to The Top Hook Plate	9

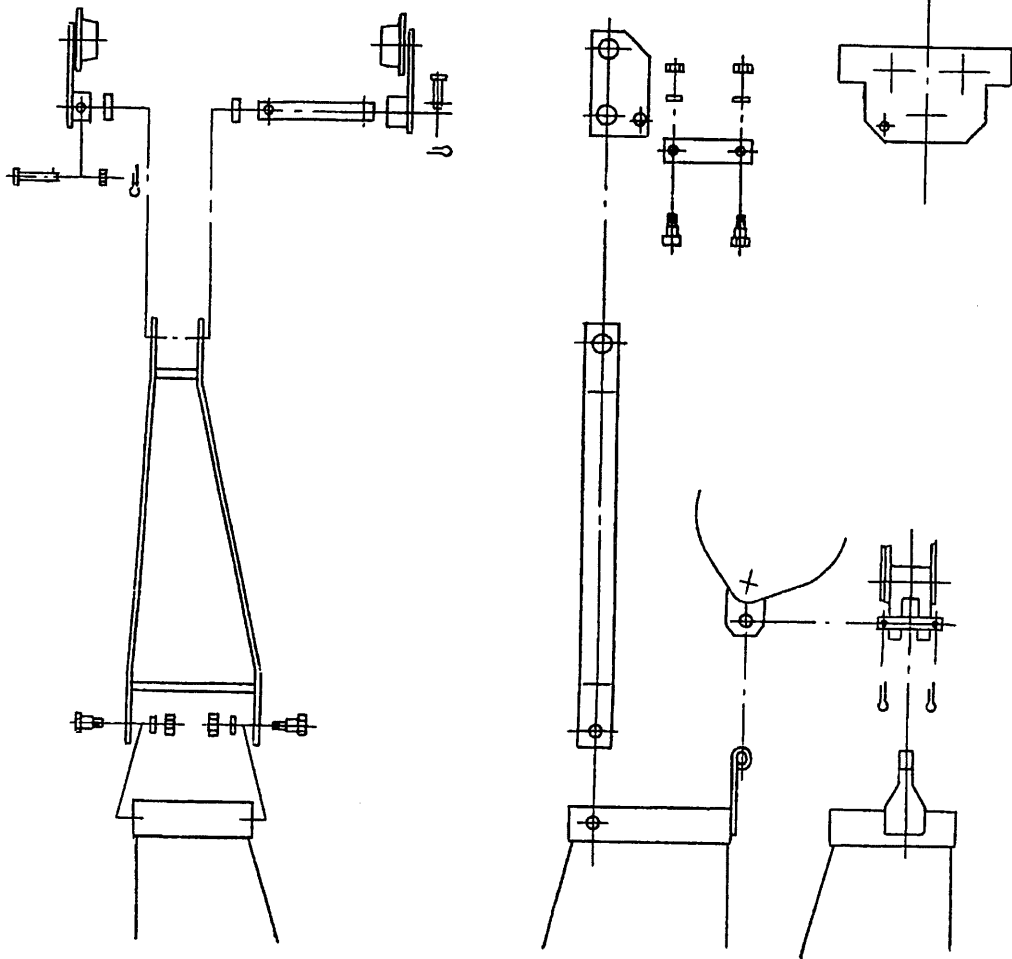
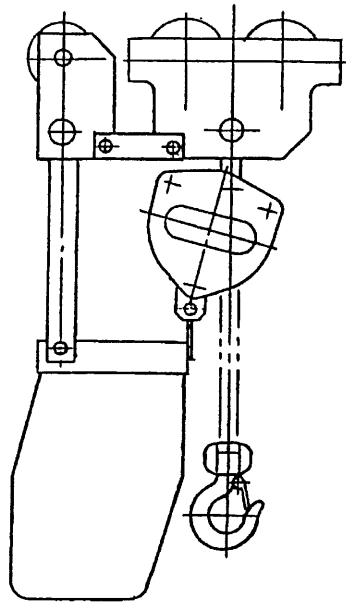
# KA type



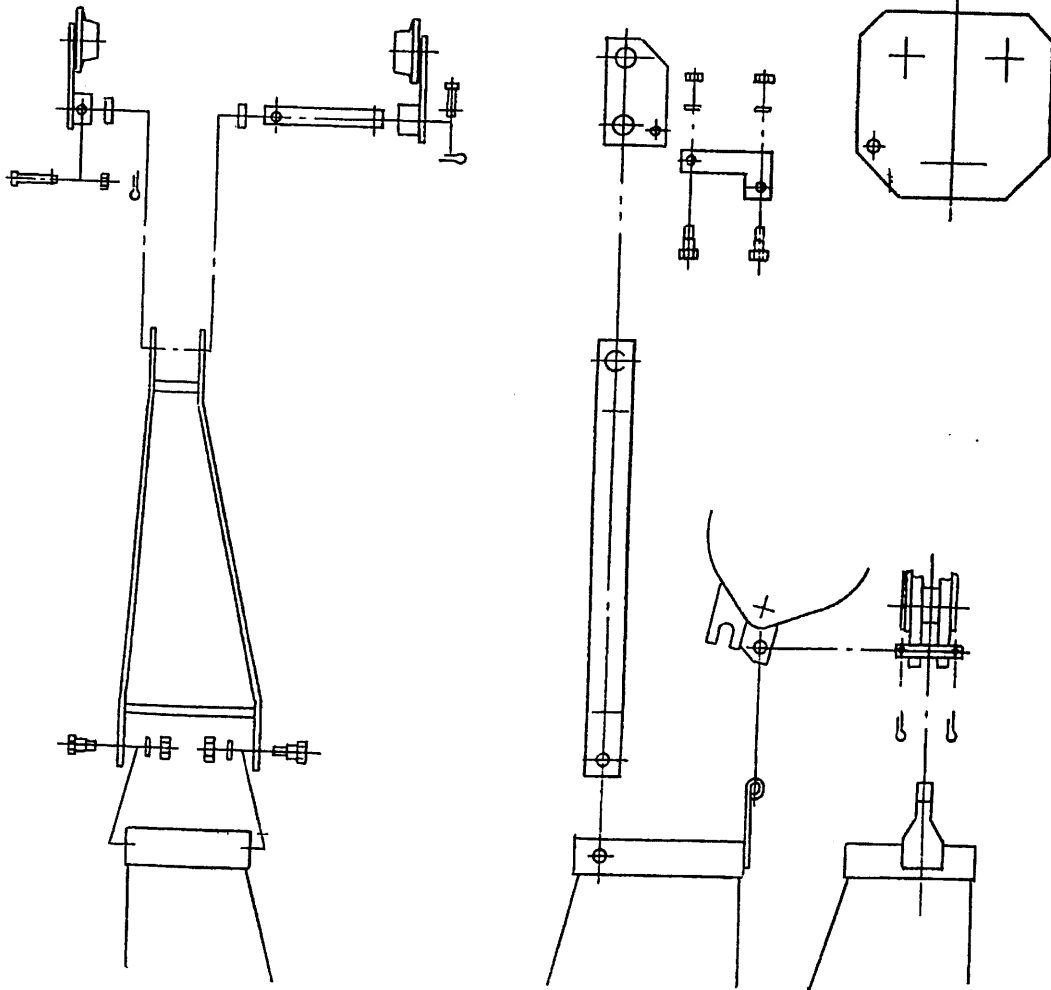
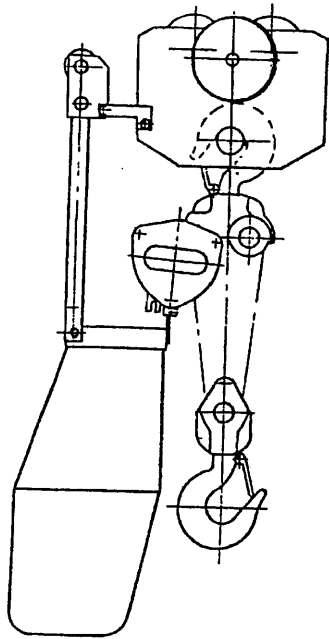
# KB type



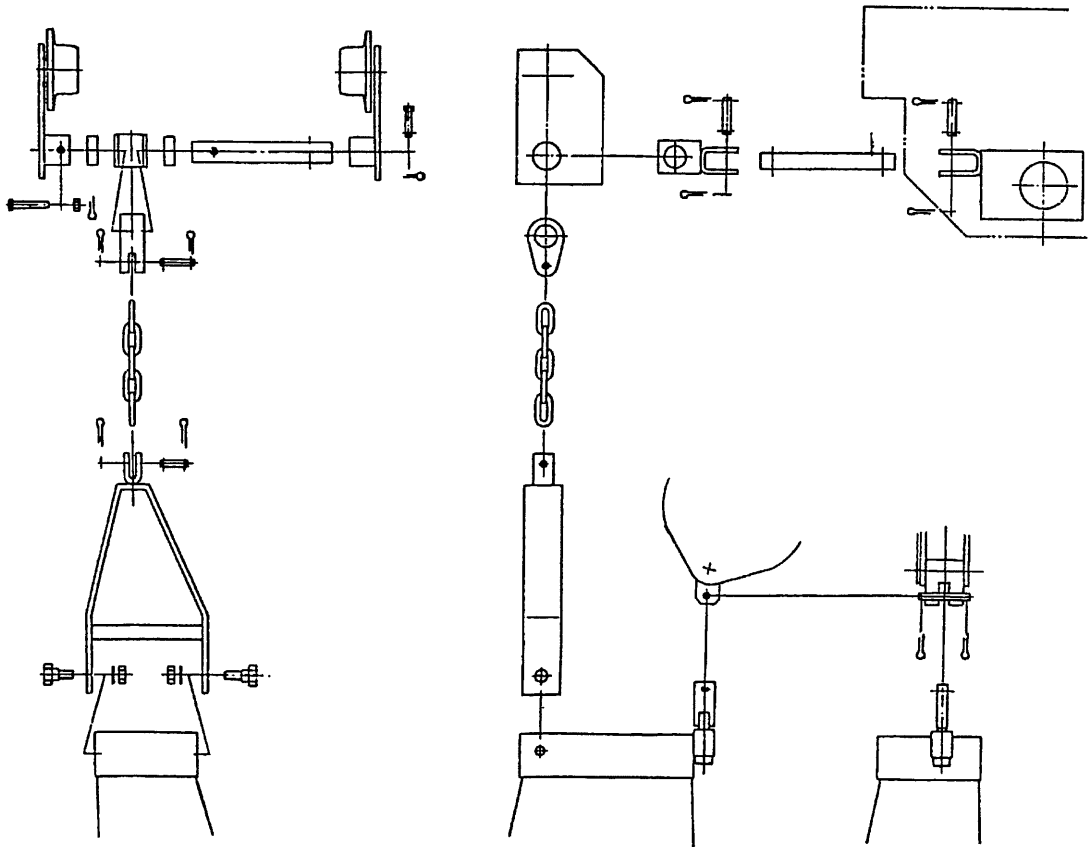
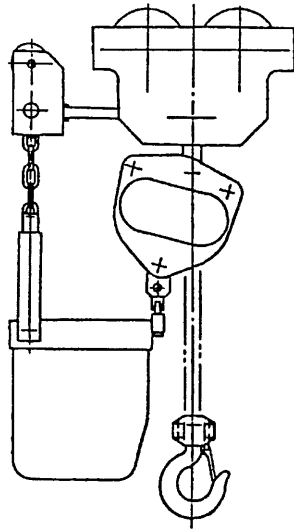
# K C-1 type



# K C-2 type



# K C-R type





K D type

