

A HOUSING AND MOTOR PARTS

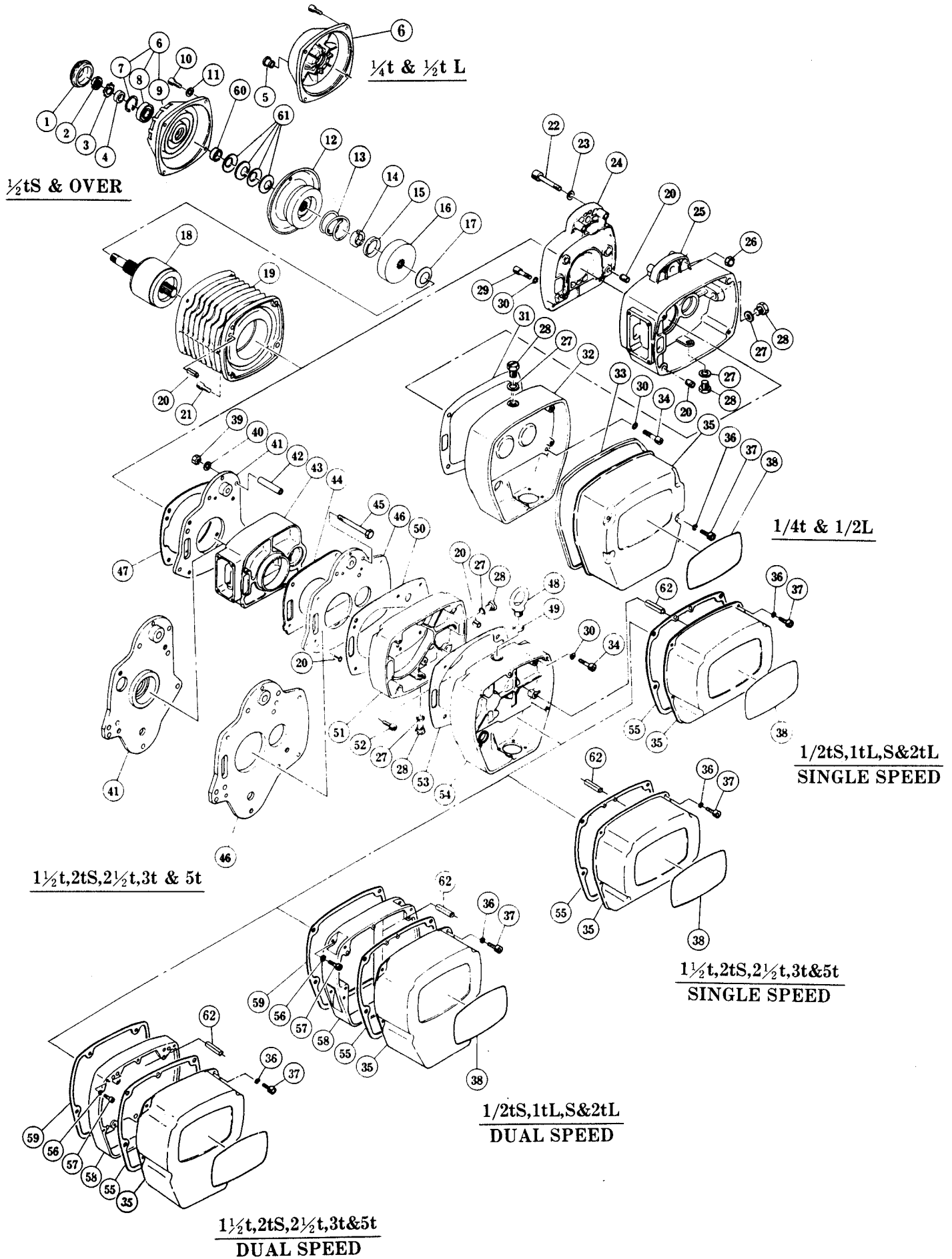


Fig No	Part No	Part Name	Parts per Hoist	Capacity										
				¼	½-L	½-S	1-L	1-S	2-L	1 ½	3	2-S	2 ½	5
1	E3S108	Cover	S	1	1 a			1 b			1 c			
			D											
2	E3S217	Nut	S	1	2 a		2 b		2 c		2 d			
			D		2 b									
3	E3S218	Lock washer	S	1	3 a		3 b		3 c		3 d			
			D		3 b									
4	E3S216	Spacer	S	1	4 a		4 b		4 c		4 d			
			D		4 b									
5	E3S113	Plug		1	5 a									
6	E3S5106	Motor cover assembly	S	1	6 a		6 b		6 c		6 d			
			D		6 e		6 f		6 g		6 h			
7	E3S203	Snap ring	S	1				7 a		7 b		7 c		
			D											
8	E3S202	Ball bearing	S	1				8 a		8 b		8 c		
			D											
9	E3S106	Motor cover	S	1				9 a		9 b		9 c		
			D					9 d		9 e		9 f		
10	E3S156	Socket bolt	S	4	10a		10b		10c		10d			
			D		10e									
11	E3S168	Spring washer	S	4				11a		11b		11c		
			D											
12	E3S5212	Brake drum assembly	S	1	12a		12b		12c		12d			
			D		12e		12f		12g		12h			
13	E3S214	Brake spring	S	1	13a		13b		13c		13d			
			D		13e		13f		13g		13h			
14	E3S505	Thrust disc	S	2	14a		14b		14c		14d			
			D											
15	E3S506	Thrust collar	S	1	15a		15b		15c		15d			
			D											
16	E3S503	Pull rotor	S	1	16a		16b		16c		16d			
			D											
17	E3S504	Coned-disc spring	S	1	17a		17b		17c		17d			
			D											
18	E3S5502	Motor shaft with rotor	S	1	18a		18b		18c		18d			
			D		18e		18f		18g		18h			

Fig No	Part No	Part Name	Parts per Hoist	Capacity											
				¼	½-L	½-S	1-L	1-S	2-L	1 ½	3	2-S	2 ½	5	
19	E3S5501	Motor frame with Stator	S	1	19a		19b		19c		19d				
			D		19e		19f		19g		19h				
20	E3S120	Set pin	4	20a											
			6			20a		20b							
21	E3S157	Socket bolt	4	21a		21b		21c		21d					
22	E3S164	Socket bolt	2	22a											
23	E3S165	Washer	2	23a											
24	E3S102	Body M	1	24a											
25	E3S101	Body G	1	25a											
26	E3S166	U nut with cap	2	26a											
27	E3S112	Plug packing	3	27a											
			2			27a									
28	E3S111	Oil plug	3	28a											
			2			28b									
29	E3S151	Socket bolt	2	29a											
30	E3S153	Toothed lock washer	6	30a											
			4			30a		30b							
			5							30b					
31	E3S109	Gear case packing	1	31a											
32	E3S103	Gear case	1	32a											
33	E3S110	Controller cover packing	1	33a											
34	E3S152	Socket bolt	4	34a		34b		34c							
			5							34d					
35	E3S104	Controller cover	S	1	35a		35b		35c		35d				
			D				35e		35f						
36	E3S155	Spring washer	4	36a		36b									
37	E3S154	Socket bolt	S	4	37a		37b								
			D				37c								
38	E3S800	Name plate	S	1	38a	38b	38c	38d	38e	38f	38g	38h	38i	38j	38k
			D		38l	38m	38n	38o	38p	38q	38r	38s	38t	38u	38v
39	E3S174	Nut	4			39a		39b		39c					
40	E3S175	Spring washer	4			40a		40b		40c					
41	E3S5122	Frame M assembly	1			41a		41b		41c					
42	E3S180	Collar F	4			42a		42b		42c					
43	E3S101	Body	1			43a		43b		43c					

Fig No	Part No	Part Name	Parts per Hoist	Capacity												
				¼	½-L	½-S	1-L	1-S	2-L	1 ½	3	2-S	2 ½	5		
44	E3S124	Packing G	1			44a		44b		44c						
45	E3S173	Bolt	4			45a		45b		45c						
46	E3S5121	Frame G assembly	1			46a		46b		46c						
47	E3S163	Packing M	1			47a		47b		47c						
48	E3S126	Eye bolt	1			48a										
49	E3S127	Eye bolt packing	1			49a										
50	E3S125	Gear case packing A	1			50a		50b		50c						
51	E3S102	Gear case A	1			51a		51b		51c						
52	E3S171	Socket bolt	6			52a		52b								
53	E3S109	Gear case packing B	1			53a		53b		53c						
54	E3S103	Gear case B	S	1		54a		54b		54c						
			D			54d		54e		54f						
55	E3S110	Controller cover packing	1			55a		55b		55c						
*56	E3S177	Spring washer	D	4		56a				56b						
*57	E3S176	Socket bolt	D	4		57a				57b						
*58	E3S131	Balancer	D	1		58a		58b		58c						
*59	E3S132	Balancer packing	D	1		59a		59b		59c						
60	E3S192	Collar M	S	1	60a	60b		60c		60d						
			D		60b											
61	E3S191	Coned disc spring M	S	4	61a	61b		61c		61d						
			D		61e											
62	E3S129	Spring pin	1			62a										

B GEARING PARTS

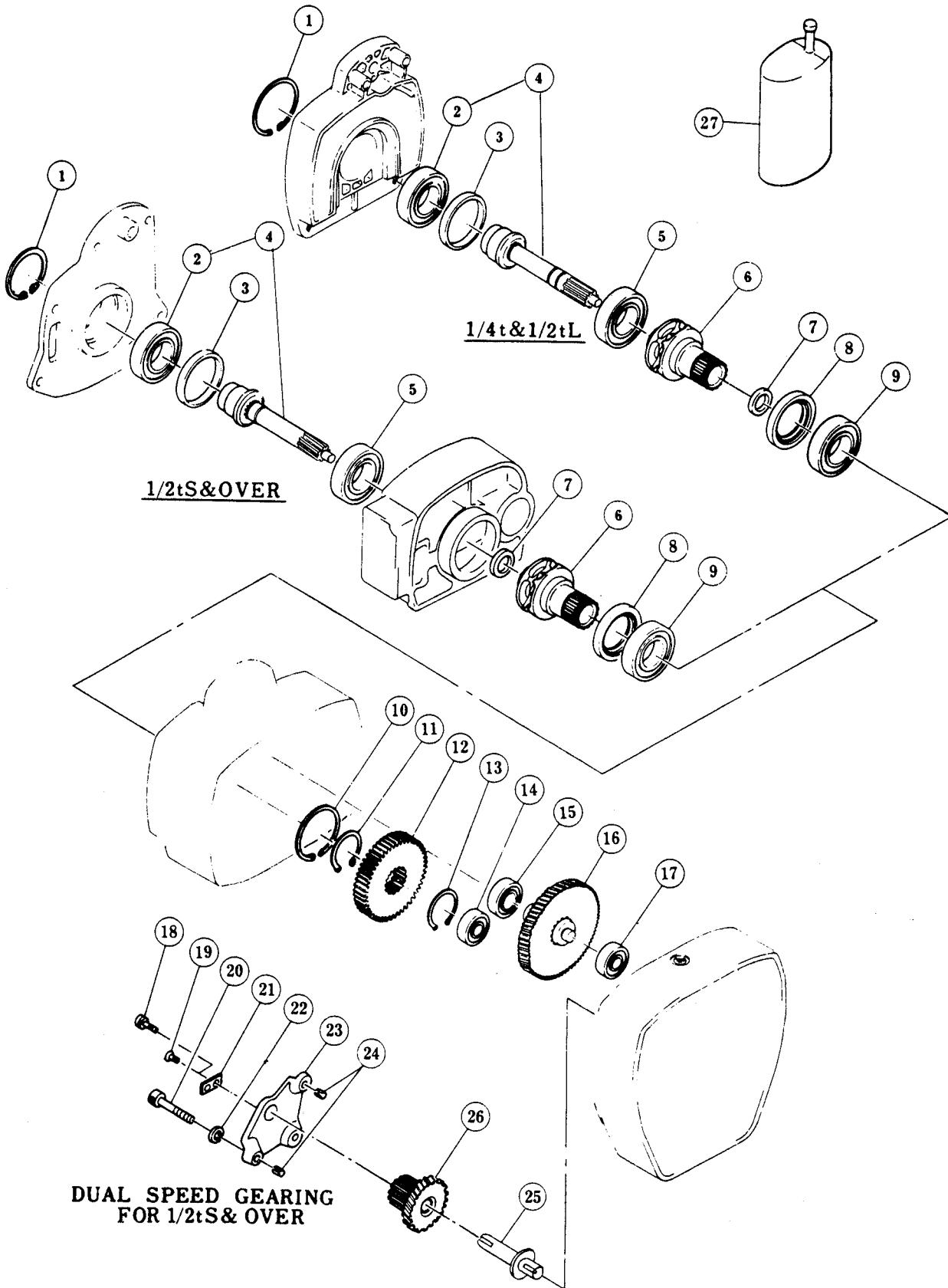


Fig No	Part No	Part Name	Parts per Hoist	Capacity											
				¼	½-L	½-S	1-L	1-S	2-L	1½	3	2-S	2½	5	
1	E3S208	Snap ring	1	1 a											
	E3S209			1 b		1 c									
4	E3S1220	Pinion assembly	1	4 a	4 b	4 c		4 d							
2	E3S205	Ball bearing	1	2 a	2 b	2 c									
3	E3S206	Collar B	1	3 a	3 b	3 c									
5	E3S230	Ball bearing	1	5 a	5 b	5 c		5 d							
6	E3S228	Load sheave	1	6 a	6 b	6 c		6 d		6 e					
7	E3S221	Oil seal	1	7 a	7 b	7 c		7 d							
8	E3S232	Oil seal	1	8 a	8 b	8 c		8 d							
9	E3S231	Ball bearing	1	9 a			9 b		9 c						
10	E3S207	Snap ring	1	10a											
11	E3S233	Snap ring	1	11a											
12	E3S227	Load gear	S	12a		12b		12c		12d		12e		12f	
			D	12g											
13	E3S233	Snap ring	1	13a			13b		13c						
14	E3S222	Ball bearing	1	14a			14b		14c						
15	E3S226	Ball bearing	1	15a		15b		15c		15d					
16	E3S5223	Gear #2 assembly	S	16a		16b		16c		16d		16e		16f	
			D	16g		16h		16i		16j		16k		16l	
17	E3S225	Ball bearing	1	17a		17b		17c		17d					
*18	E3S254	Machine screw with spring washer	D	2							18a				
*19	E3S252	Flat head machine screw	D	2		19a									
*20	E3S251	Socket bolt	D	3		20a		20b		20c					
*21	E3S244	Plate	D	1		21a			21b						
*22	E3S253	Spring washer	D	3		22a		22b							
*23	E3S243	Gear holder plate	D	1		23a		23b		23c					
*24	E3S120	Set pin	D	2		P3-20a		P3-20b							
*25	E3S242	Gear B shaft	D	1		25a		25b		25c					
*26	E3S5241	Gear B assembly	D	1		26a		26b		26c					
27	E3S901	Gear oil	1	27a					27b						

*18~26 are used on Dual Speed type only.

C CHAINING PARTS

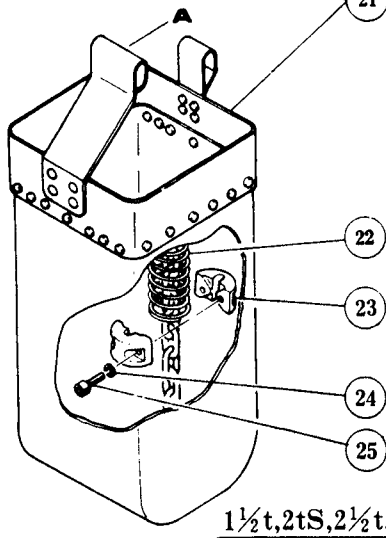
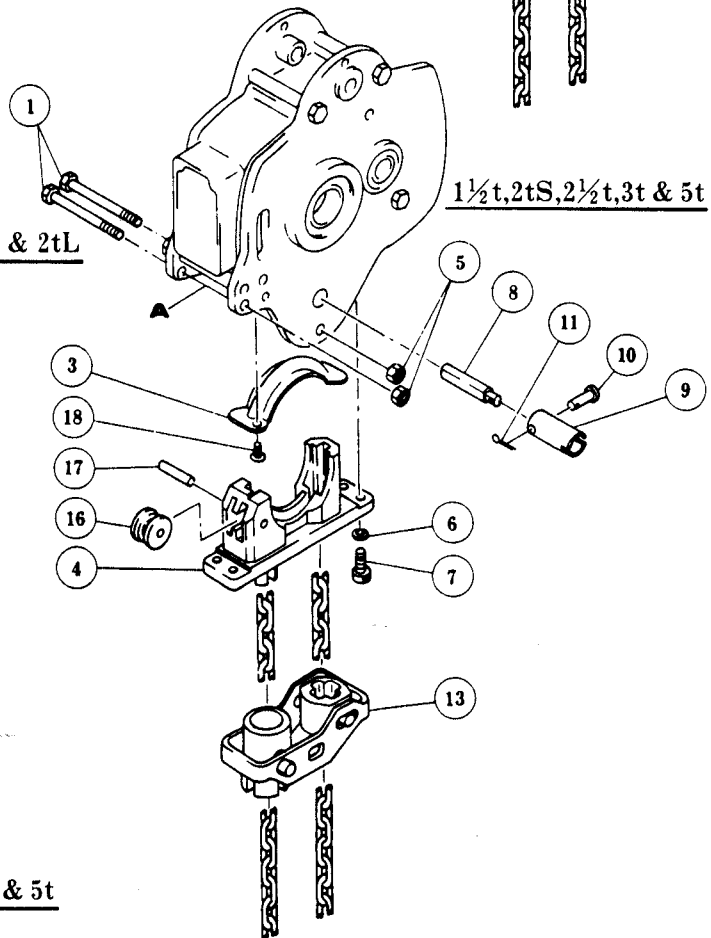
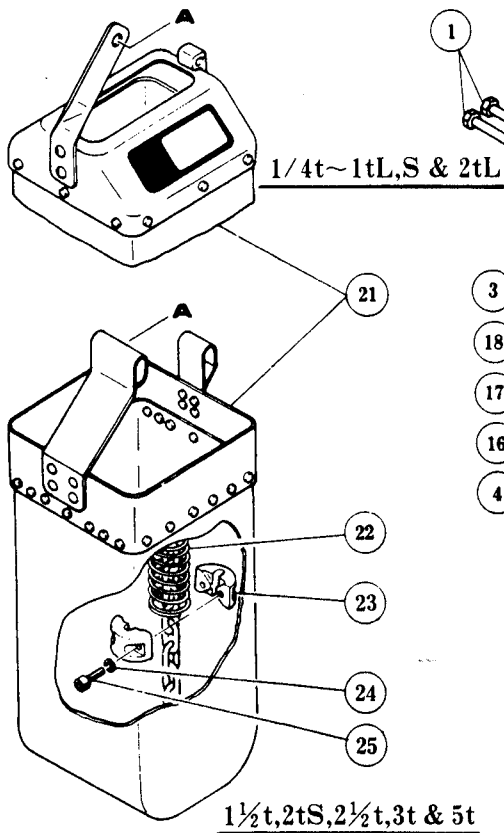
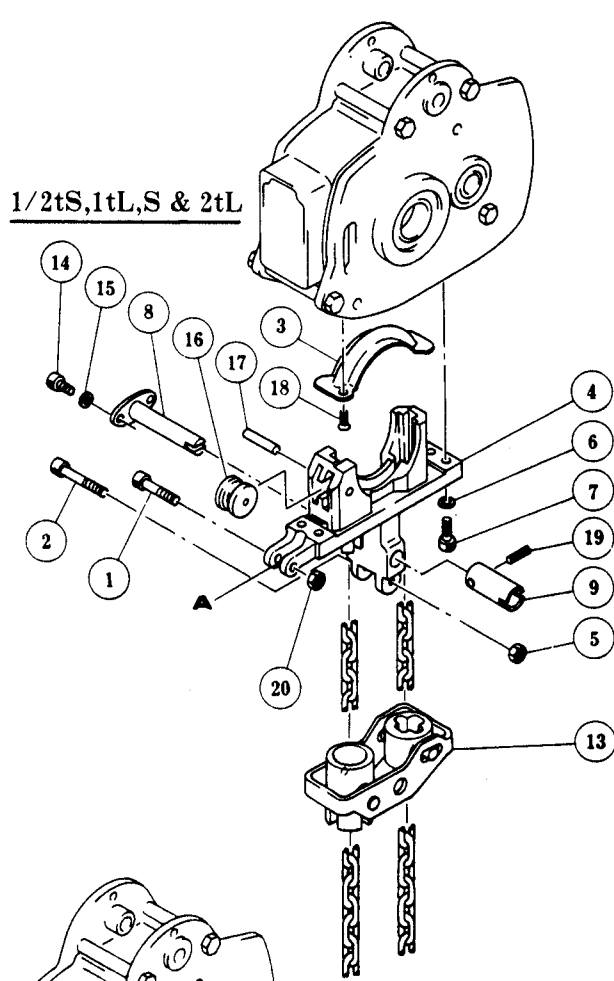
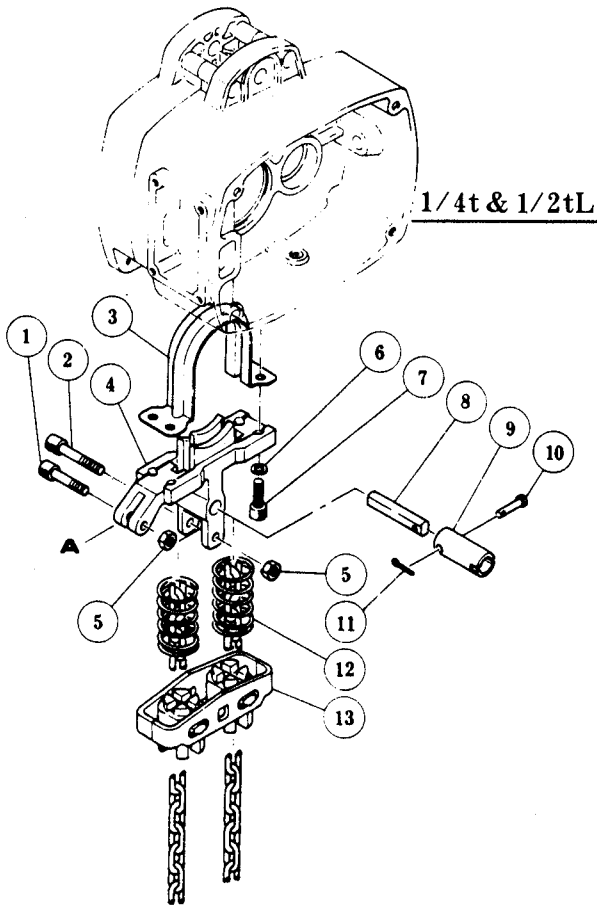
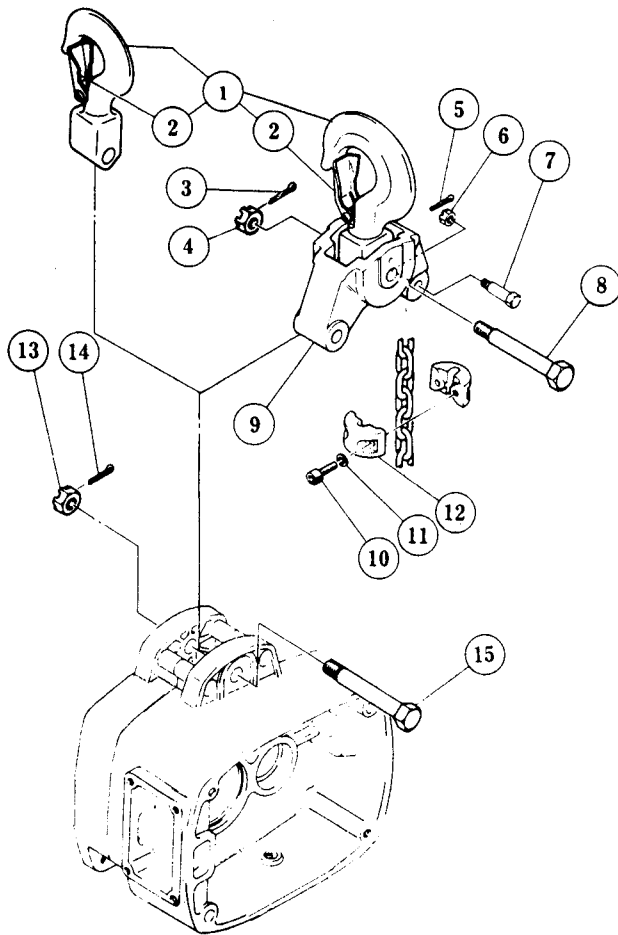


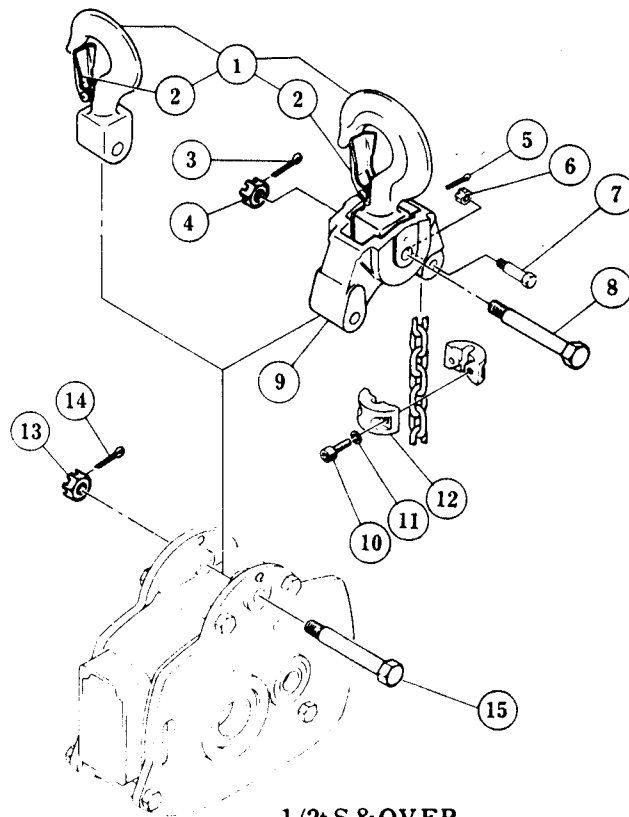
Fig No	Part No	Part Name	Parts per Hoist	Capacity											
				¼	½-L	½-S	1-L	1-S	2-L	1 ½	3	2-S	2 ½	5	
1	E3S854	Socket bolt	1	1 a		1 b									
		Bolt*	2							1 c					
2	E3S856	Socket bolt	1	2 a											
3	E3S402	Chain guide B	1	3 a		3 b		3 c		3 d			3 e		
4	E3S401	Chain guide A	1	4 a		4 b		4 c		4 d			4 e		
5	E3S855	U nut	2	5 a						5 b					
			1	5 a											
6	E3S452	Spring washer	4	6 a				6 b							
7	E3S461	Socket bolt	4	7 a		7 b		7 c		7 d					
8	E3S406	Limit lever pin	1	8 a						8 b					
	E3S5406	Limit lever pin assembly	1	8 c											
9	E3S407	Lever pin coupling	S	1	9 a		9 b		9 c		9 d				
			D		9 e		9 f								
10	E3S408	Coupling pin	1	10a						10b					
11	E3S453	Split pin	1	11a								11a			
12	E3S410	Guide spring	2	12a											
13	E3S5405	Limit lever assembly	1	13a		13b		13c		13d			13e		
14	E3S464	Socket bolt	2	14a											
15	E3S465	Spring washer	2	15a											
16	E3S403	Guide roller	1	16a		16b		16c			16d				
17	E3S404	Roller pin	1	17a		17b		17c							
18	E3S463	Flat head machine screw	2	18a											
		Machine screw with spring washer								18b					
19	E3S451	Spring pin	1	19a											
20	E3S857	U nut	1	20a											
* 21	E3S5830	Chain container L	1	21a		21b		21c		21d					
	E3S5831	Chain container S		21e		21a		21f		21g					
22	E3S047	Chain spring	S	1	22a		22b		22c		22d			22e	
			D		22f		22g		22h		22i			22j	
23	E3S045	Stopper	2	23a		23b			23c			23d			
24	E3S087	Spring washer	2	24a		24b			24c						
25	E3S086	Socket bolt	2	25a		25b			25c						

*21 is available on request.

D HOOK PARTS



1/4t & 1/2tL



1/2t S & OVER

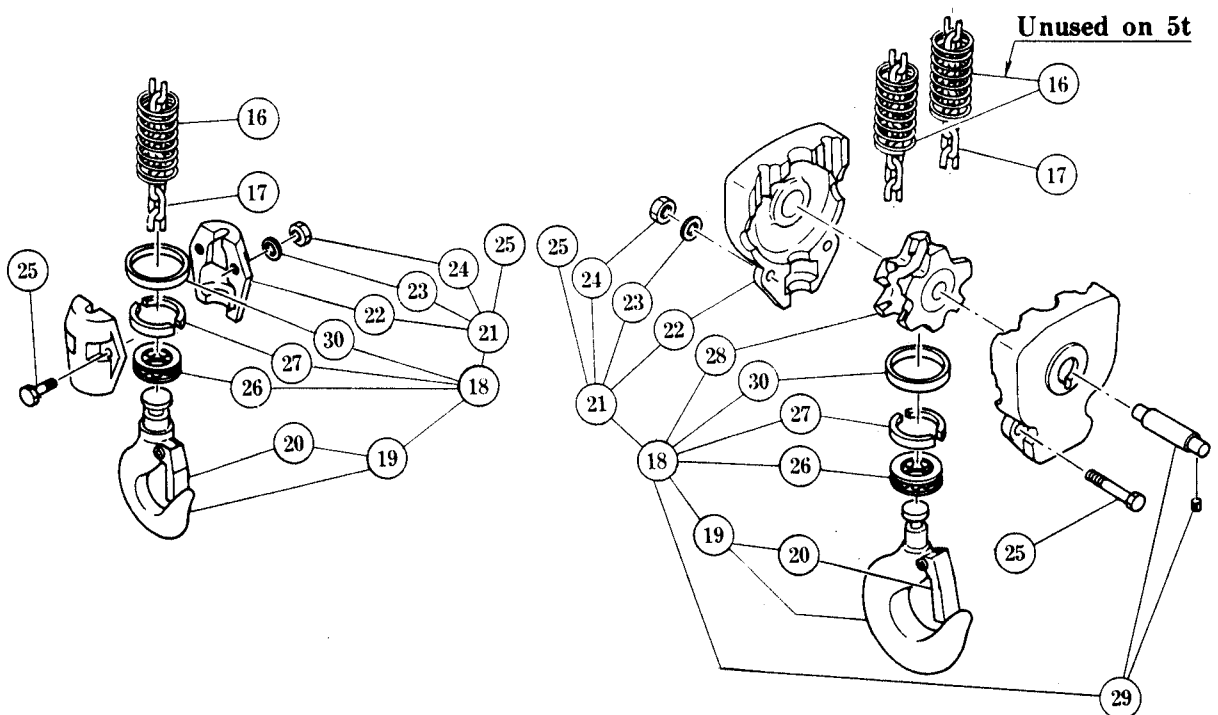
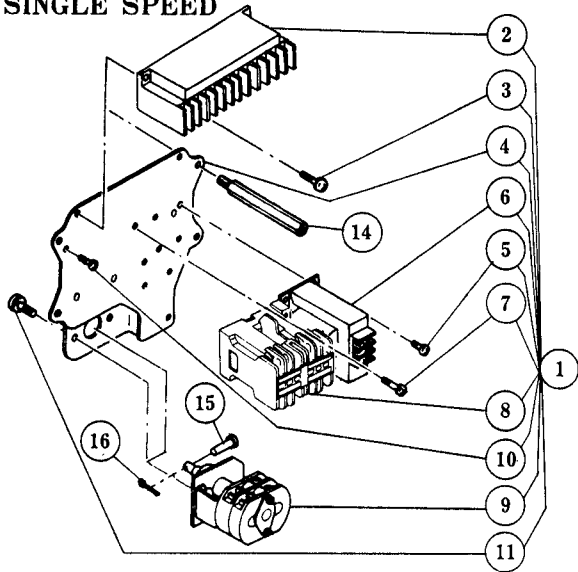


Fig No	Part No	Part Name	Parts per Hoist	Capacity											
				¼	½-L	½-S	1-L	1-S	2-L	1½	3	2-S	2½	5	
1	E3S1001	Top hook assembly	1	1 a			1 b		1 c		1 d	1 c	1 d	1 e	
	2	E3S1071	Hook latch assembly	1	2 a			2 b		2 c		2 d	2 c	2 d	2 e
3	E3S089	Split pin	1		3 a		3 a		3 b		3 b		3 c		
4	E3S088	Slotted nut	1		4 a		4 a		4 b		4 b		4 c		
5	E3S096	Split pin	1		5 a		5 a		5 b		5 b		5 c		
6	E3S049	Slotted nut	1		6 a		6 a		6 b		6 c		6 d		
7	E3S041	Chain pin	1		7 a		7 b		7 c		7 d		7 e		
8	E3S006	Top pin L	1		8 a		8 a		8 b		8 b		8 c		
9	E3S005	Connection yoke	1		9 a		9 b		9 c		9 d		9 e		
10	E3S086	Socket bolt	2		P8-25a		P8-25b		P8-25b		P8-25c				
11	E3S087	Spring washer	2		P8-24a		P8-24b		P8-24b		P8-24c				
12	E3S045	Stopper	2		P8-23a		P8-23b		P8-23b		P8-23c				
13	E3S161	Slotted nut	1	13a					13b						
14	E3S162	Split pin	1	14a					14b						
15	E3S117	Top pin	1	15a			15b		15c		15d				
16	E3S047	Chain spring	S	1	P8-22a		P8-22b		P8-22c		P8-22d		P8-22d	P8-22e	
				2		P8-22a		P8-22b		P8-22c		P8-22d			
			D	1	P8-22f		P8-22g		P8-22h		P8-22i		P8-22i	P8-22j	16a
				2		P8-22f		P8-22g		P8-22h		16b			
17	E3S840	Load chain	1	17a		17b		17c		17d			17e		
18	E3S1021	Bottom hook complete set	1	18a	18b	18c	18d	18e	18f	18g	18h	18i	18j	18k	
19	E3S2021	Bottom hook assembly	1	19a	19b		19c		19d	19e	19f	19d	19g	19h	
20	E3S1071	Hook latch assembly	1	20a			20b		20c		20d	20e	20c	20f	
21	E3S5032	Bottom yoke assembly	1	21a	21b	21c	21d	21e	21f	21g	21h	21i	21j	21k	
22		Bottom yoke	2	22a	22b	22c	22d	22e	22f	22g	22h	22i	22j	22k	
23		Spring washer	2	23a			23b			23c		23c		23d	
			3						23c		23d				
24		Nut	2	24a			24b			24c		24c		24d	
			3						24c		24d				
25		High strength bolt	2	25a		25a		25b		25c		25c	25d		
			2		25e		25f		25f						
			3						25g		25h				
26	E3S022	Thrust bearing	1	26a			26b		26c		26d	26c	26d	26e	
27	E3S027	Hook stopper	2	27a			27b		27c		27d	27c	27d	27e	
28	E3S1051	Idle sheave assembly	1		28a		28b		28c		28d		28e		
29	E3S5054	Bottom shaft assembly	1		29a		29b		29c		29d		29e		
30	E3S026	Thrust collar A	1	30a			30b		30c		30d	30c	30d	30e	

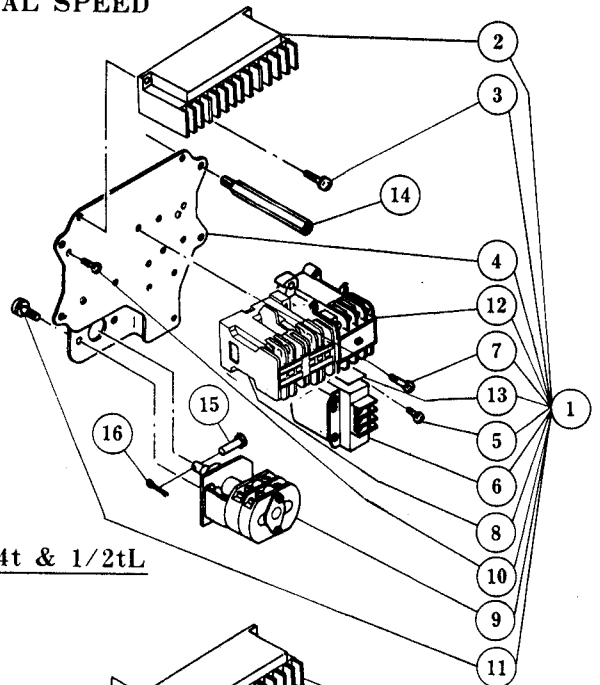
E ELECTRIC PARTS

SINGLE SPEED

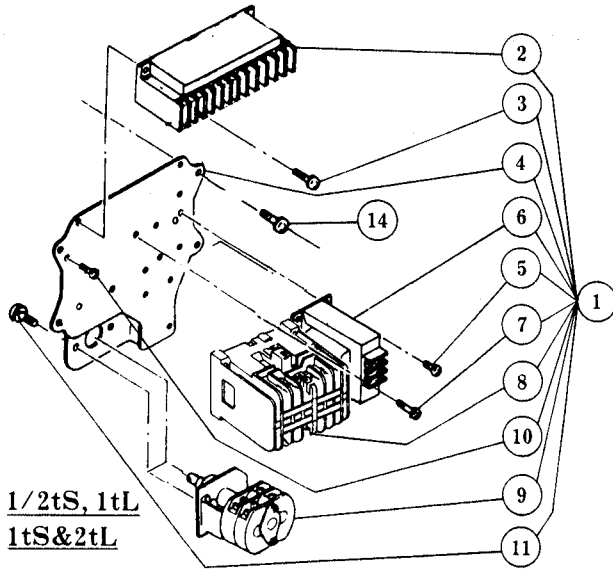


1/4 & 1/2tL

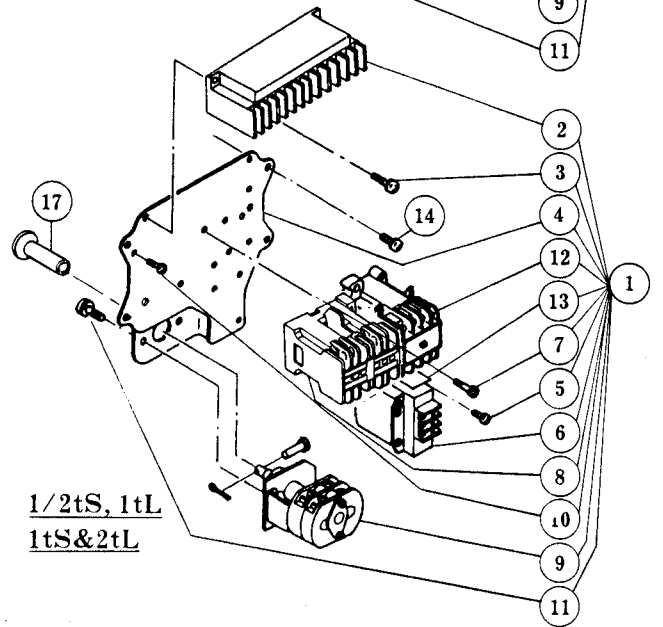
DUAL SPEED



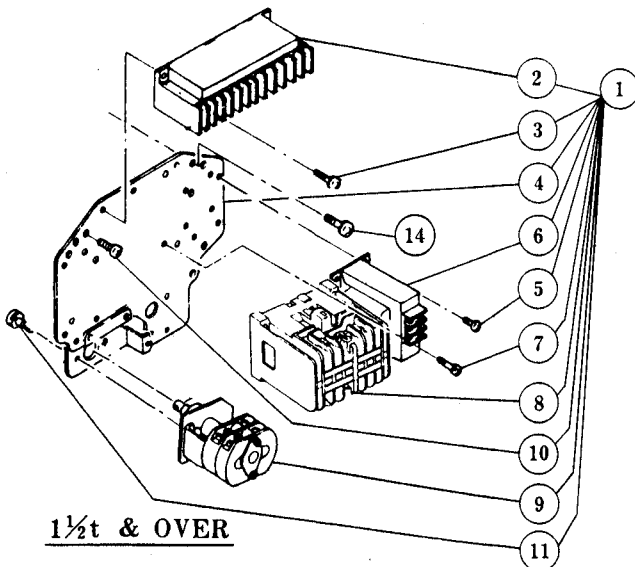
1/4t & 1/2tL



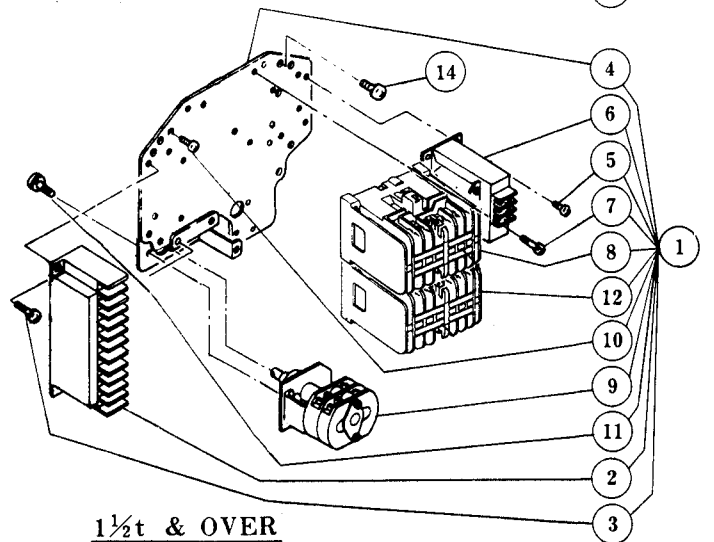
1/2tS, 1tL
1tS&2tL



1/2tS, 1tL
1tS&2tL



1 1/2t & OVER



1 1/2t & OVER

Fig No	Part No	Part Name	Parts per Hoist	Capacity												
				¼	½-L	½-S	1-L	1-S	2-L	1½	3	2-S	2½	5		
1	E3S1601	Plate complete set	S	1	1 a		1 b		1 c		1 d					
			D		1 e		1 f		1 g		1 h					
2	E3S622	Non-reverse relay	S	1	2 a					2 b						
			D		2 c					2 d						
3	E3S666	Machine screw with spring washer		2	3 a											
4	E3S5601	Plate assembly	S	1	4 a		4 b		4 c							
			D		4 d		4 e		4 f							
	S							4 g								
	D												4 h			
5	E3S660	Machine screw with spring washer	S	4	5 a											
			D		3											
					4											5 b
6	E3S616	Transformer	S	1	6 a					6 b						
			D		6 c				6 d		6 e					
7	E3S662	Machine screw with spring washer	S	2	7 a											
					3	7 a										
			D		2	7 a										
					6	7 b										7 a
8	E3S617	Electromagnetic contactor S	S	1	8 a					8 b						
		Electromagnetic contactor B	D							8 c						
9	E3S1619	Limit switch complete set	S	1	9 a		9 b				9 c					
			D								9 d					
*10	E3S670	Machine screw with spring washer		1	10a					10b						
11	E3S664	Machine screw with spring washer		2	11a											
12	E3S618	Electromagnetic contactor	D	1	12a				12b		12c					
13	E3S635	Insulating paper	D	1	13a											
14	E3S602	Stay bolt		4	14a											
	E3S650	Machine screw with spring washer			14b											
15	E3S408	Coupling pin		1	15a											
16	E3S453	Split pin		1	16a											
17	E3S634	Dust guard	D	1			17a									

*10 is used on hoists except for 220/380V, 380V, 220V (50Hz).

F CONTROL STATION PARTS 220/380V, 220V, 380V -50Hz

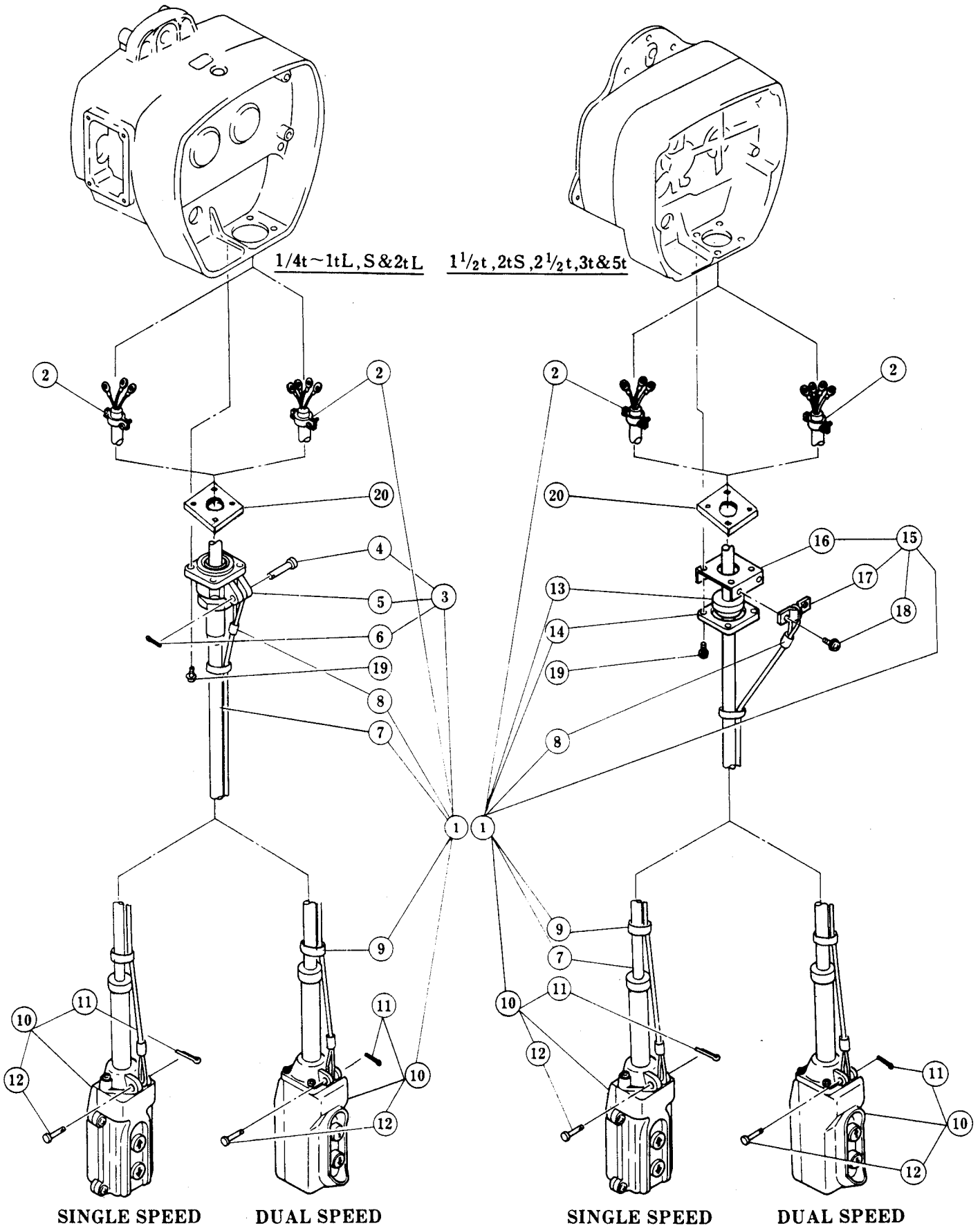


Fig No	Part No	Part Name	Parts per Hoist	Capacity										
				¼	½-L	½-S	1-L	1-S	2-L	1 ½	3	2-S	2 ½	5
1	E3S1607S	2 Push button cord complete set	S	1	1 a						1 b			
	D		1 c						1 d					
2	E3S343	Cord clamp 12 assembly	1	2 a										
		Cord clamp 14 assembly								2 b				
3	E3S1704	Cord holder A complete set	1	3 a										
4	E3S628	Cord chain pin	1	4 a										
5	E3S1340	Cord holder A assembly	1	5 a										
6	E3S671	Split pin	1	6 a										
7	E3S607S	Push button cord 3C	S	1	7 a									
	E3S607D	Push button cord 4C	D		7 b									
8	E3S638	Fixing sleeve	2	8 a										
9	E3S637	Lock-belt	2	9 a										
10	E3S1615S	2 Push button switch assembly	S	1	10a									
	E3S1615D		D		10b									
11	E3S671	Split pin	1	6 a										
12	E3S541	Cord chain pin	1	12a										
13	E3S341	Packing 12	1							13a				
14	E3S340	Cord holder 42	1							14a				
15	E3S1342	Holder plate U assembly	1							15a				
16	E3S342	Holder plate U	1							16a				
17	E3S611	Cord chain stopper	1							17a				
18	E3S659	Machin screw with spring washer	2							18a				
19	E3S350	Machin screw with spring washer	4	19a						19b				
20	E3S609	Socket holder packing B	1	20a						20b				

CONTROL STATION PARTS 220/440V, 220V, 440V -60HZ & OTHER VOLTAGES

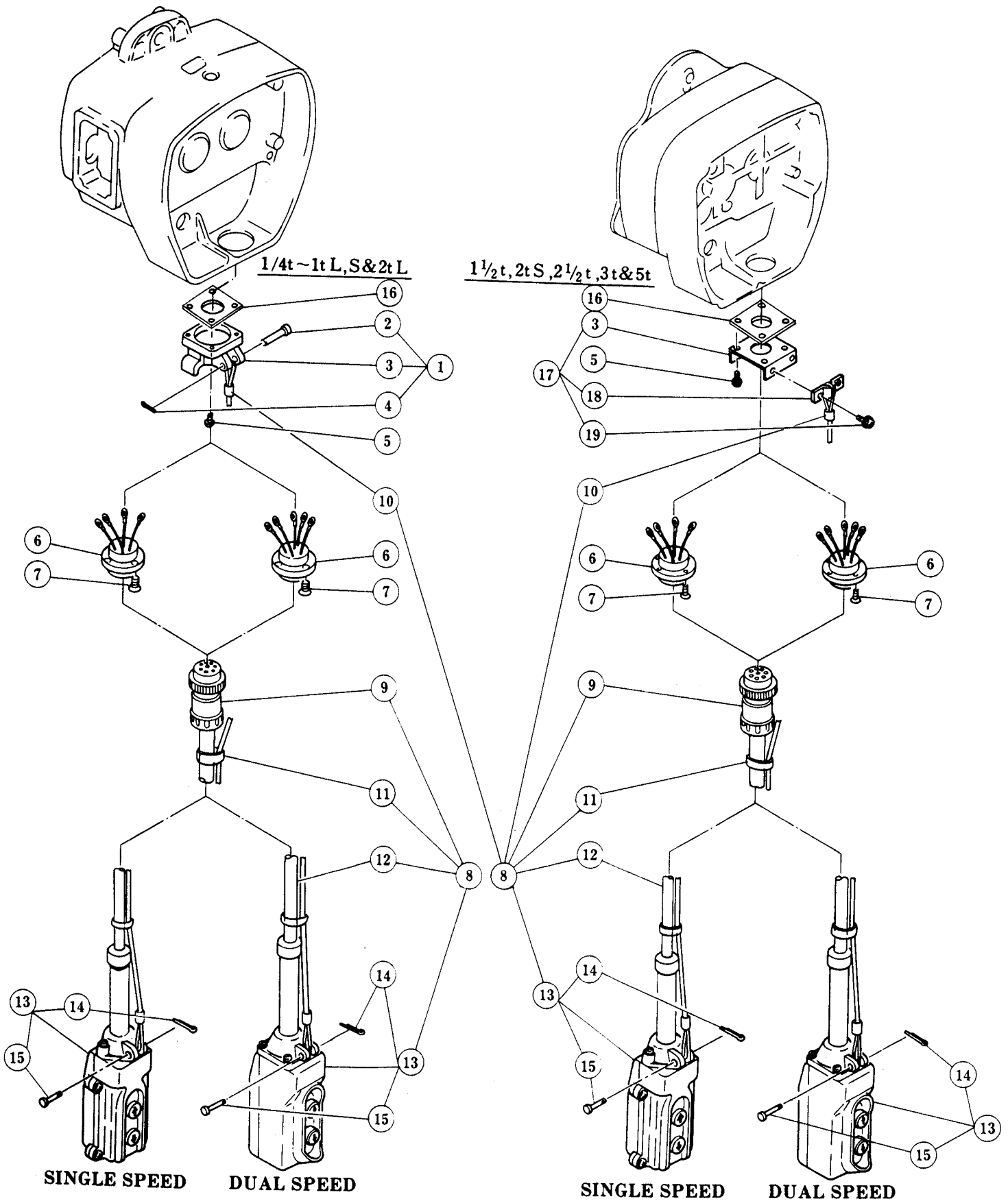
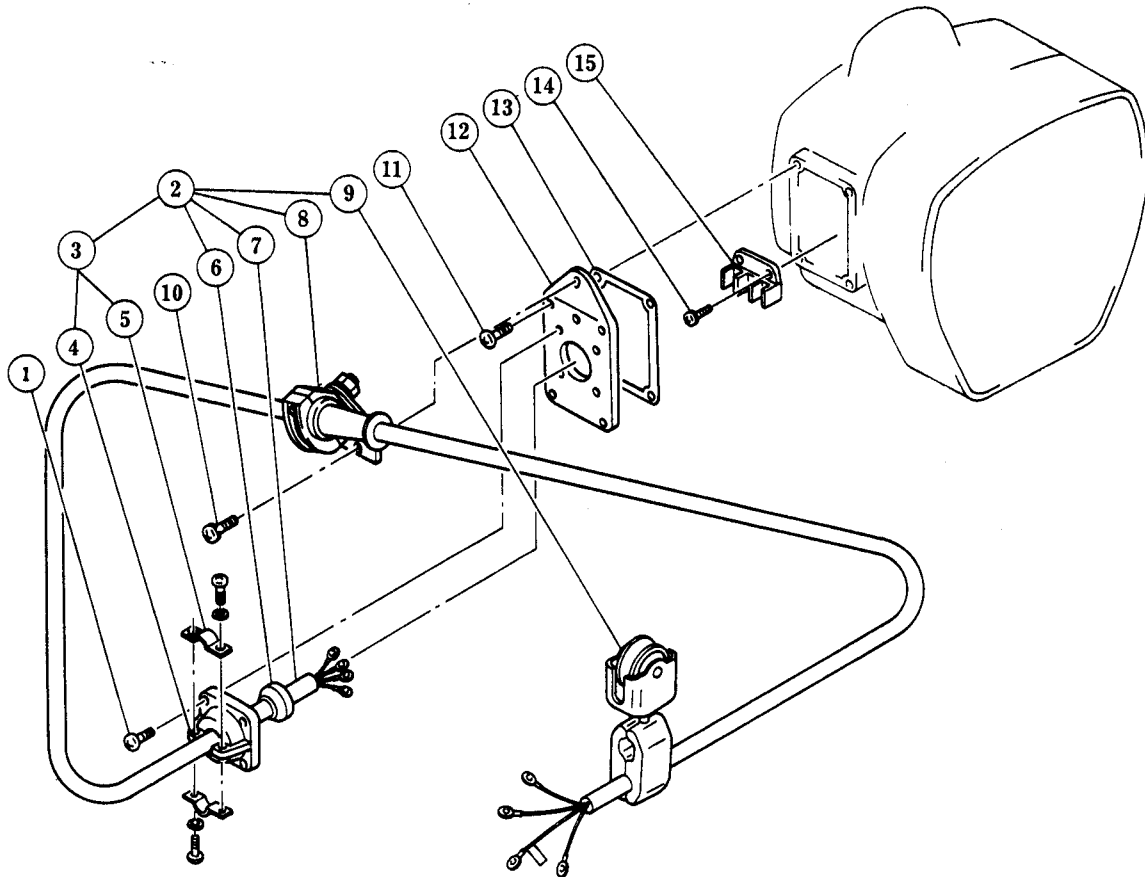
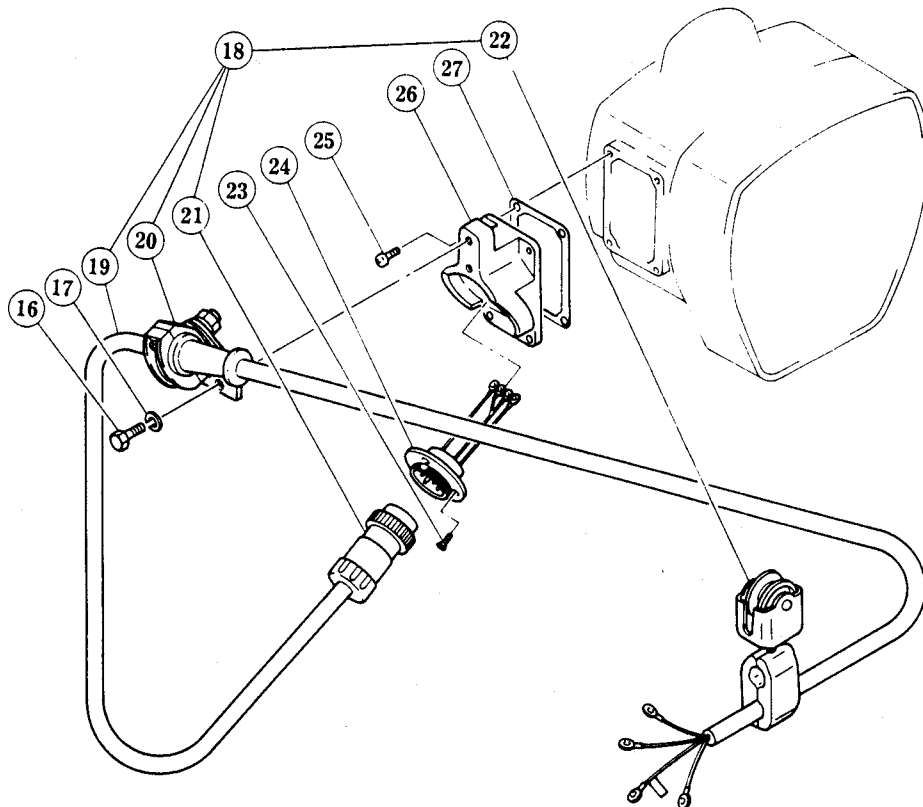


Fig No	Part No	Part Name	Parts per Hoist	Capacity										
				¼	½-L	½-S	1-L	1-S	2-L	1½	3	2-S	2½	5
1	E3S1610	Socket holder B assembly	1	1 a										
2	E3S628	Cord chain pin	1	2 a										
3	E3S610	Socket holder B	1	3 a										
4	E3S671	Split pin	1	P 14-6a										
5	E3S656	Machine screw with spring washer	4	5 a						5 b				
6	E3S1614S	Socket 5P with 4 leads	S	6 a						6 b				
	E3S1614D	Socket 5P with 5 leads	D	6 c						6 d				
7	E3S658	Tapping screw	4	7 a										
		Flat head machine screw								7 b				
8	E3S1607S	2 Push button cord complete set	S	8 a										
	E3S1607D		D	8 b										
9	E3S613	Plug 5P	1	9 a										
10	E3S638	Fixing sleeve	2	P14-8a										
11	E3S637	Lock-belt	2	P14-9a										
12	E3S607S	Push button cord 3C	S	12a										
	E3S607D	Push button cord 4C	D	12b										
13	E3S1615S	2 Push button switch assembly	S	P14-10a										
	E3S1615D		D	P14-10b										
14	E3S671	Split pin	1	P14-6a										
15	E3S541	Cord chain pin	1	P14-12a										
16	E3S609	Socket holder packing B	1	P14-20a						P14-20b				
17	E3S1610	Socket holder B assembly	1							17a				
3	E3S610	Socket holder B	1							3 a				
18	E3S611	Cord chain stopper	1							P14-17a				
19	E3S659	Machine screw with spring washer	2							19a				

G POWER SUPPLY PARTS



220/380V, 220V, 380V -50Hz



220/440V, 220V, 440V -60Hz & OTHER VOLTAGES

Fig No	Part No	Part Name	Parts per Hoist	Capacity										
				¼	½-L	½-S	1-L	1-S	2-L	1½	3	2-S	2½	5
220/380V, 220V, 380V-50Hz														
1	E3S331	Machine screw with spring washer	4	1 a										
2	E3S1521	Power supply cable complete set	1	2 a								2 b		
3	E3S1516	Cable holder M assembly	1	3 a										
4	E3S321	Cable holder M	1	4 a										
5	E3S323	Cable clamp 14 assembly	1	5 a										
6	E3S322	Cable packing 13	1	6 a										
		Cable packing 14										6 b		
7	E3S521	Power supply cable 4C	1	7 a								7 b		
8	E3S1822	Cable clamp arm assembly	1	8 a								8 b		
9	E3S1527	Cable hanger assembly	3	9 a										
10	E3S852	Machine screw with spring washer	2	10a										
11	E3S330	Machine screw with spring washer	4	11a										
12	E3S320	Terminal cover	1	12a										
13	E3S119	Socket holder packing A	1	13a					13b					
14	E3S351	Machine screw with spring washer	2	14a										
15	E3S5345	Terminal plate 3P assembly	1	15a										
220/440V, 220V, 440V-60Hz & OTHER VOLTAGES														
16	E3S852	Bolt	2	16a										
17	E3S853	Spring washer	2	17a										
18	E3S1521	Power supply cable complete set	1	18a								18b		
19	E3S521	Power supply cable 4C	1	19a								19b		
20	E3S1822	Cable clamp arm assembly	1	20a								20b		
21	E3S522	Plug 4P	1	21a								21b		
22	E3S1527	Cable hanger assembly	3	9 a										
23	E3S551	Flat head machine screw	4	P16-7a										
24	E3S1523	Socket 4P assembly	S	24a								24b		
			D									24c		
25	E3S159	Machine screw with spring washer	4	25a										
26	E3S118	Socket holder A	1	26a										
27	E3S119	Socket holder packing A	1	13a					13b					



KITO CORP

3-37-4, Yoyogi, Shibuya-ku,
Tokyo 151-0053, Japan
TEL:03-5371-7341
FAX:03-5371-7349
TELEX:222-2942 KITO J
CABLE:KITOKSK TOKYO
URL <http://www.kito.co.jp>