

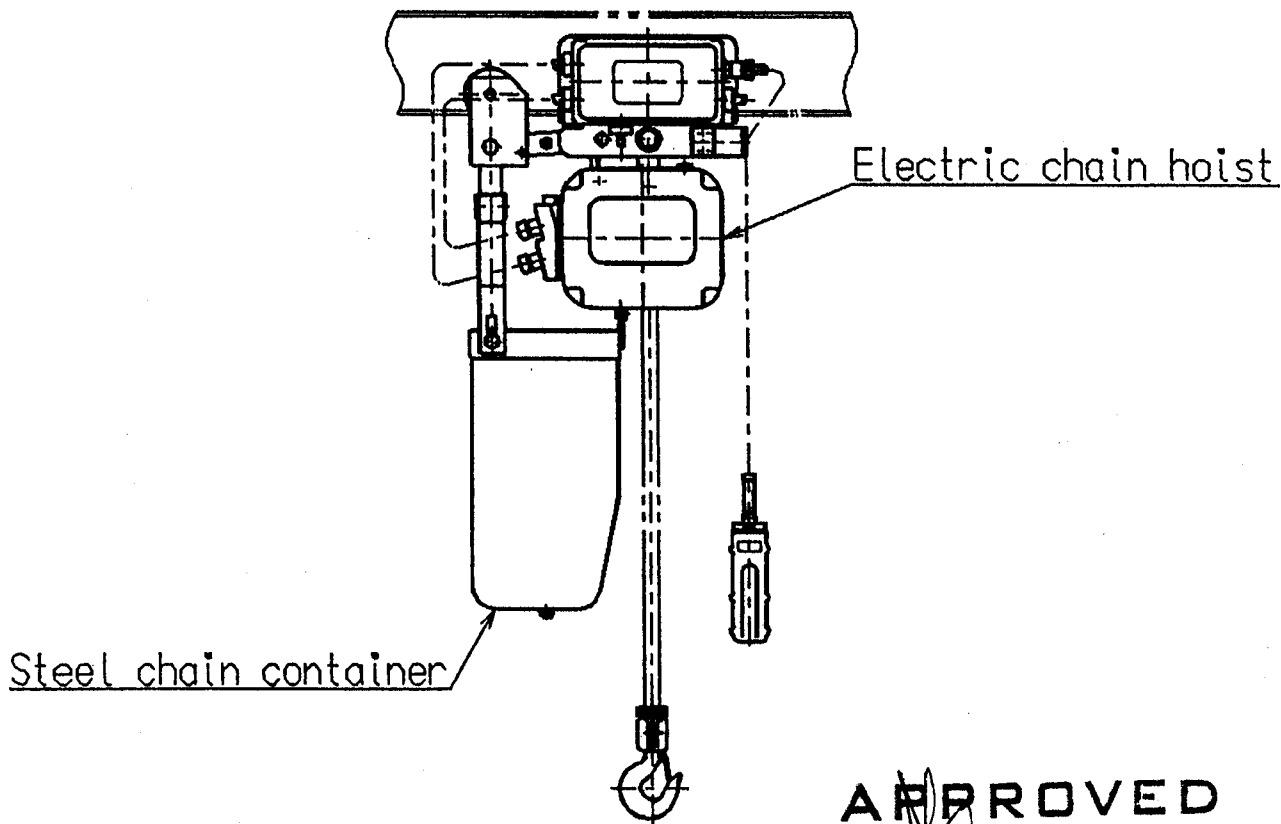
< ER Series Electric Chain Hoist >

KITO STEEL CHAIN CONTAINER

Instructions Manual

⚠ **CAUTION** This instruction manual describes specific instructions related to the Steel Chain Container for ER Series Electric Chain Hoist. Refer also to the "KITO ELECTRIC CHAIN HOIST" instructions manual before use.

1. Product Overview



APPROVED

FEB 16/99.

⚠ CAUTION

- Upon unpacking, please check that all the necessary parts are enclosed.
- The above illustration shows a typical model of the electric chain hoist with a steel chain container. The configuration or design in detail may differ from the customized model of yours.

⚠ DANGER

- Use a suitable chain container for suspension type.
A chain container under the capacity may cause an accidental fall or break of the chain.
- When installing the chain container, leave some load chain (50 to 60cm in length) in the chain container (no-load side).
After setting the chain container in place, lift the hook to feed the rest of the chain into the container.
Note that the chain should be stored in the container without a twist or a kink.

2. Steel Chain Container

- Three sorts of the steel chain containers are installed depending on lifting height and coupling type of the hoist.

Model	Basic unit	KA Type for ER, ERSP, ERSG, ERM	KB Type for ER	KC Type for ERSP ERSG, ERM
		Lifting height		
ER001H, HD	ER-B	$\leq 12\text{m}$	$12\text{m} <$	
ER003S, SD		$\leq 12\text{m}$	$12\text{m} <$	
ER003H, HD	ER-C	$\leq 12\text{m}$	$12\text{m} <$	
ER004L, LD	ER-B	$\leq 12\text{m}$	$12\text{m} <$	
ER005S, SD	ER-C	$\leq 12\text{m}$	$12\text{m} <$	
ER010L, LD		$\leq 12\text{m}$	$12\text{m} <$	
ER010M		$\leq 12\text{m}$	$12\text{m} <$	
ER010S, SD	ER-D	$\leq 12\text{m}$	$12\text{m} <$	
ER015S, SD		$\leq 13\text{m}$	$13\text{m} <$	
ER020L, LD		$\leq 13\text{m}$	$13\text{m} <$	
ER020M		$\leq 13\text{m}$	$13\text{m} <$	
ER020S, SD	ER-E	$\leq 13\text{m}$	$13\text{m} <$	
ER025S, SD		$\leq 10\text{m}$	$10\text{m} <$	
ER028L, LD		$\leq 7\text{m}$	$7\text{m} <$	
ER028S, SD		$\leq 7\text{m}$	$7\text{m} <$	
ER030L, LD		$\leq 7\text{m}$	$7\text{m} <$	
ER030S, SD		$\leq 7\text{m}$	$7\text{m} <$	
ER048L, LD		$\leq 5\text{m}$	$5\text{m} <$	
ER050S, SD		$\leq 5\text{m}$	$5\text{m} <$	

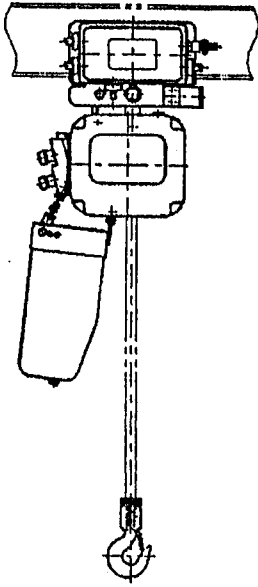
ER : Electric chain hoist

ERSP: Electric chain hoist with a plain trolley (Trolley: TS series)

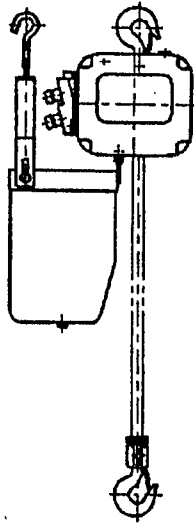
ERSG: Electric chain hoist with a geared trolley (Trolley: TS series)

ERM : Electric chain hoist with an motorized trolley

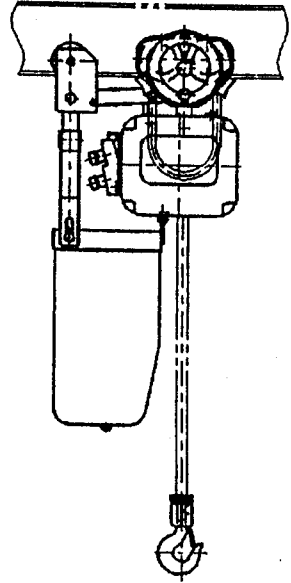
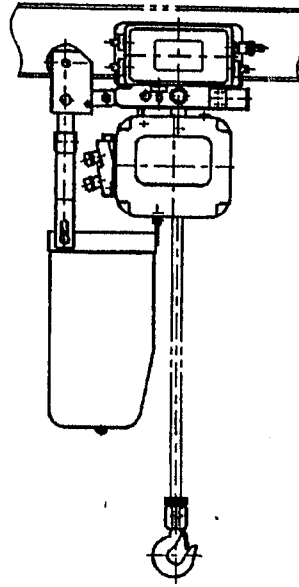
KA type



KB type

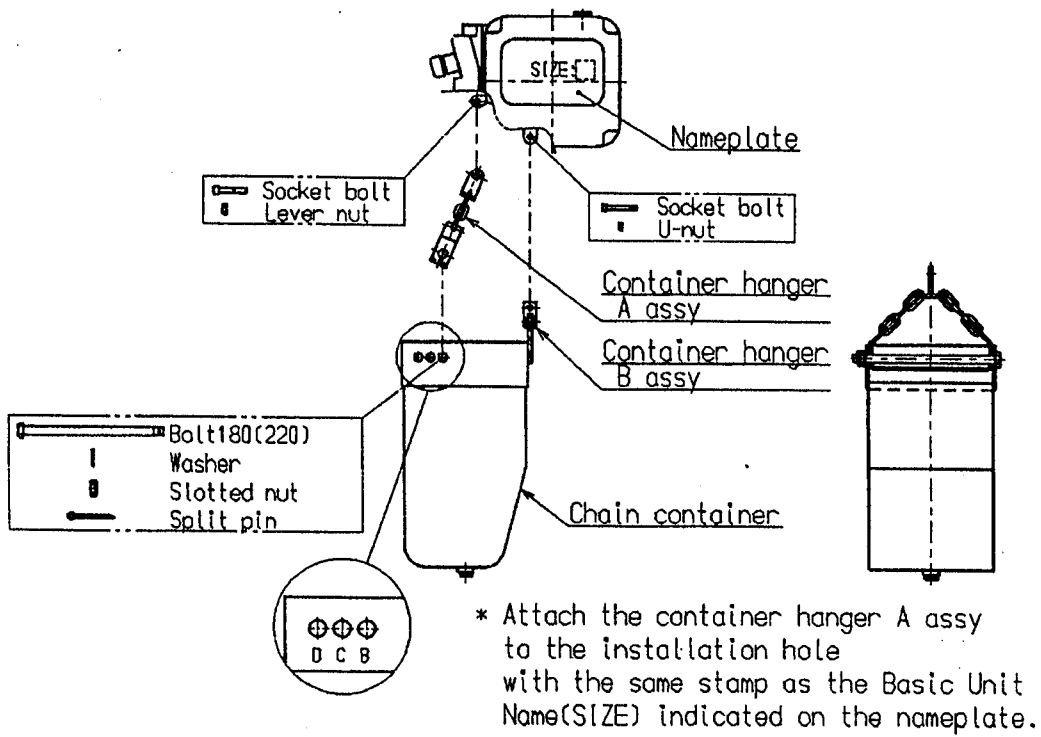


KC type



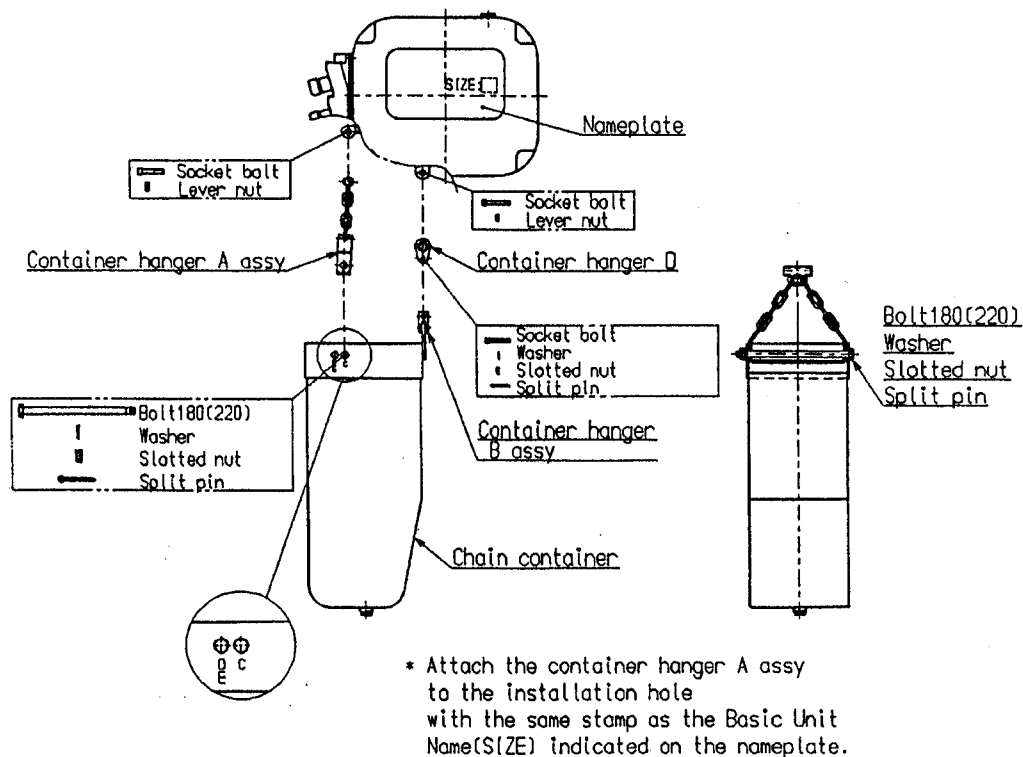
3. Installation

KA type Basic Unit ER - B, C, or D



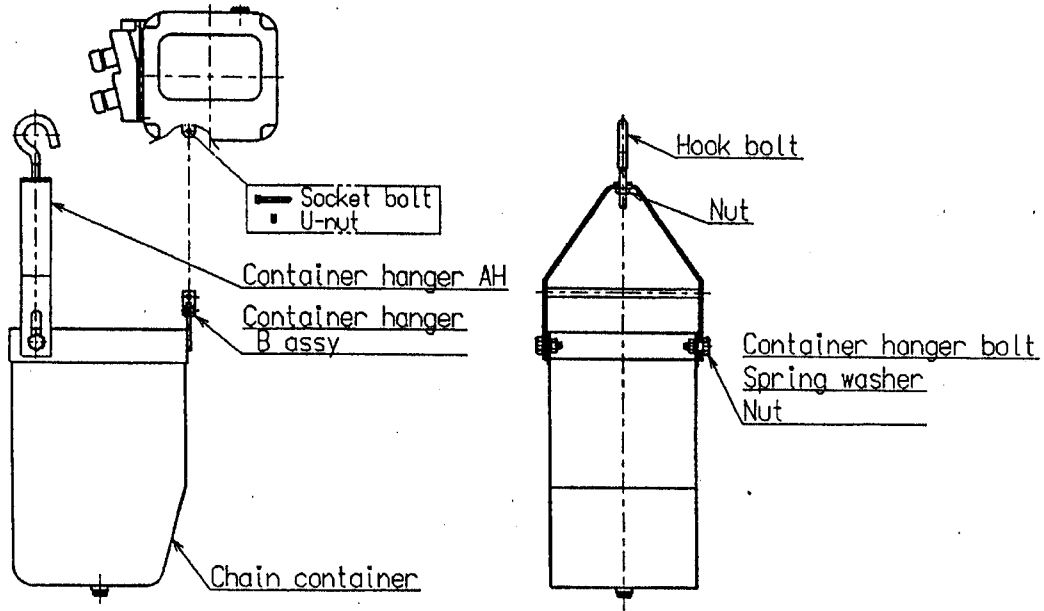
◆Fasten the chain container firmly with the socket bolt, lever nut and U-nut.

KA type Basic Unit ER - E



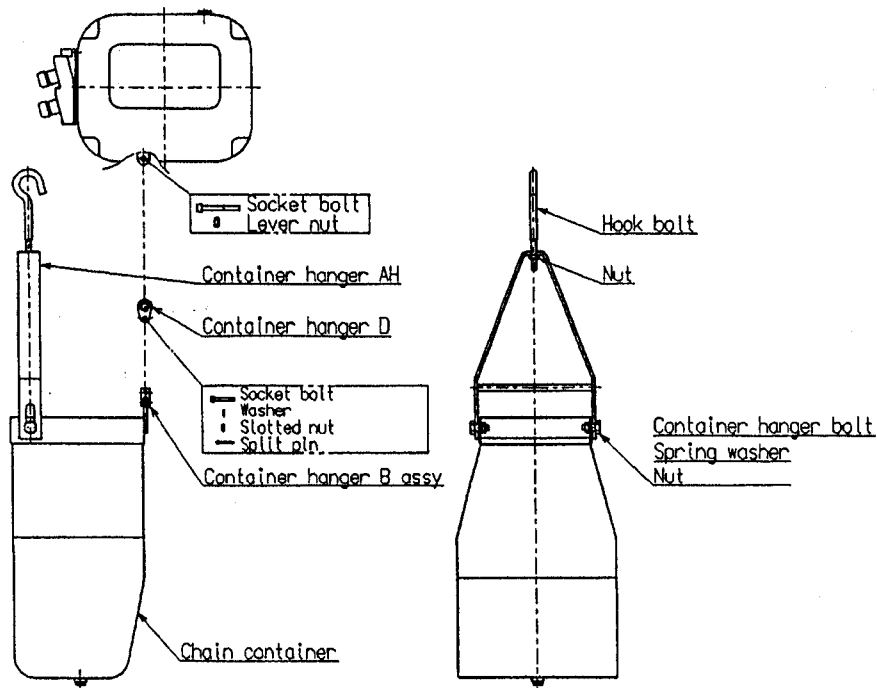
◆Fasten the chain container firmly with the socket bolt and lever nut.

KB type Basic Unit ER - B, C, or D



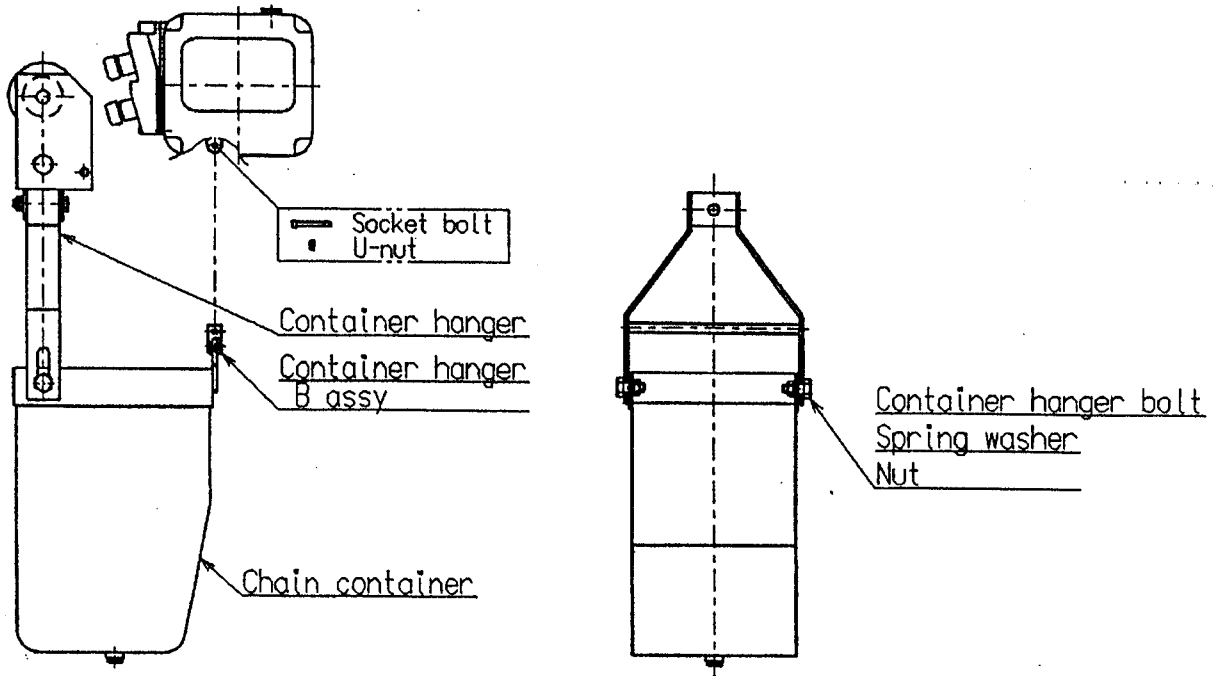
- ◆ Fasten the chain container firmly with the socket bolt and U-nut.
- ◆ Screw the hook bolt to adjust the chain container not to tilt when loaded.

KB type Basic Unit ER - E



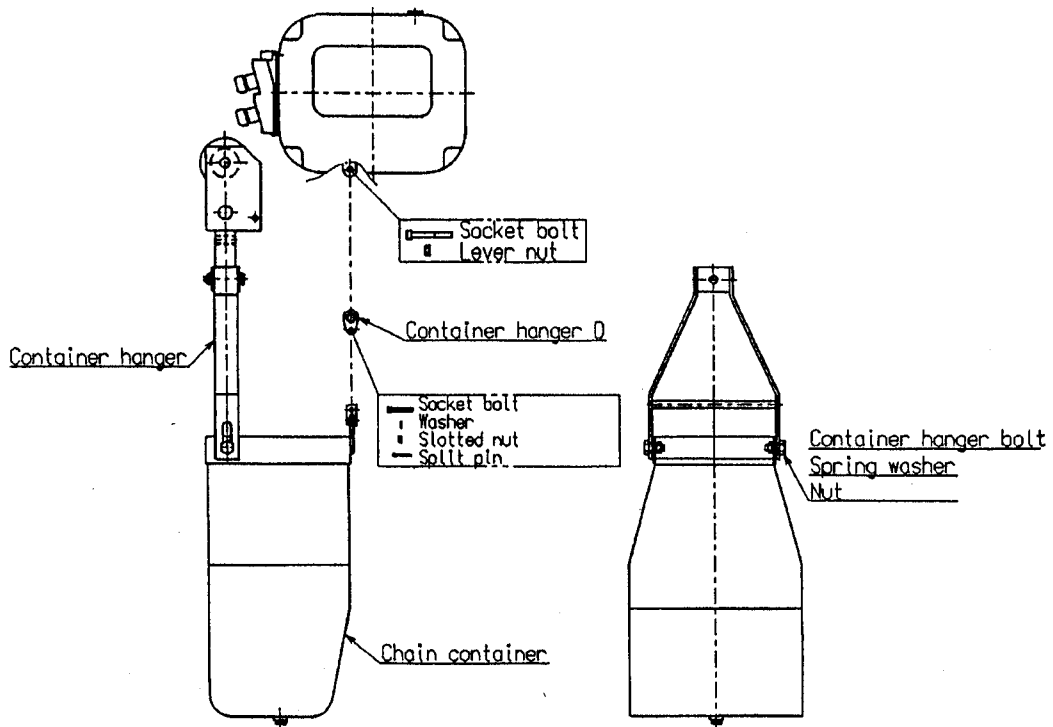
- ◆ Fasten the chain container firmly with the socket bolt and lever nut.
- ◆ Screw the hook bolt to adjust the chain container not to tilt when loaded.

KC type Basic Unit ER - B, C, or D



◆Fasten the chain container firmly with the socket bolt and U-nut.

KC type Basic Unit ER - E

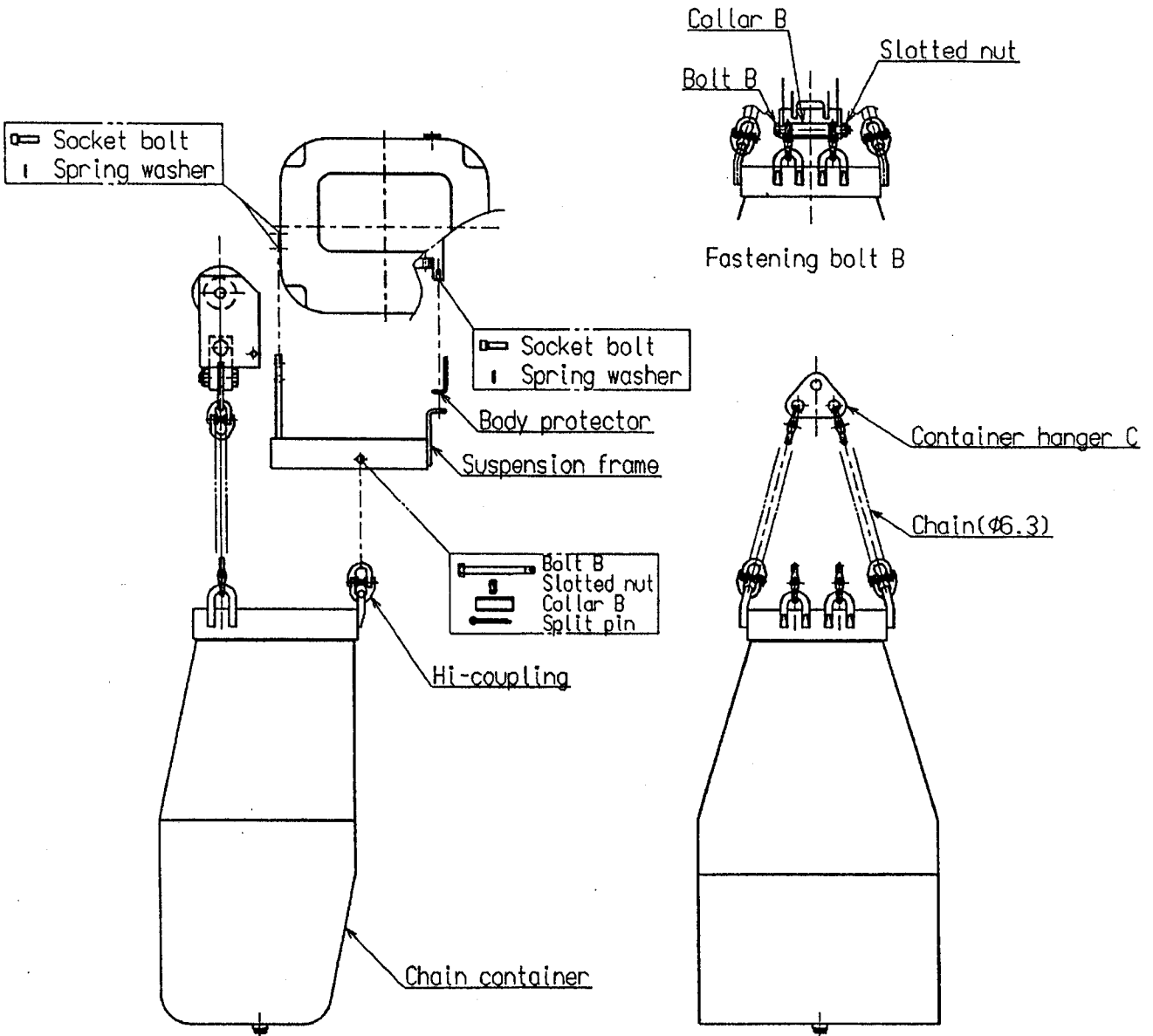


◆Fasten the chain container firmly with the socket bolt and U-nut.

2 - Wheel Chain Suspension type

Basic Unit ER - E

* Chain size: $\phi 10 \times 43.1\text{m}$ or more, $\phi 11.2 \times 32.1\text{m}$ or more,
and $\phi 12.5 \times 25.1\text{m}$ or more

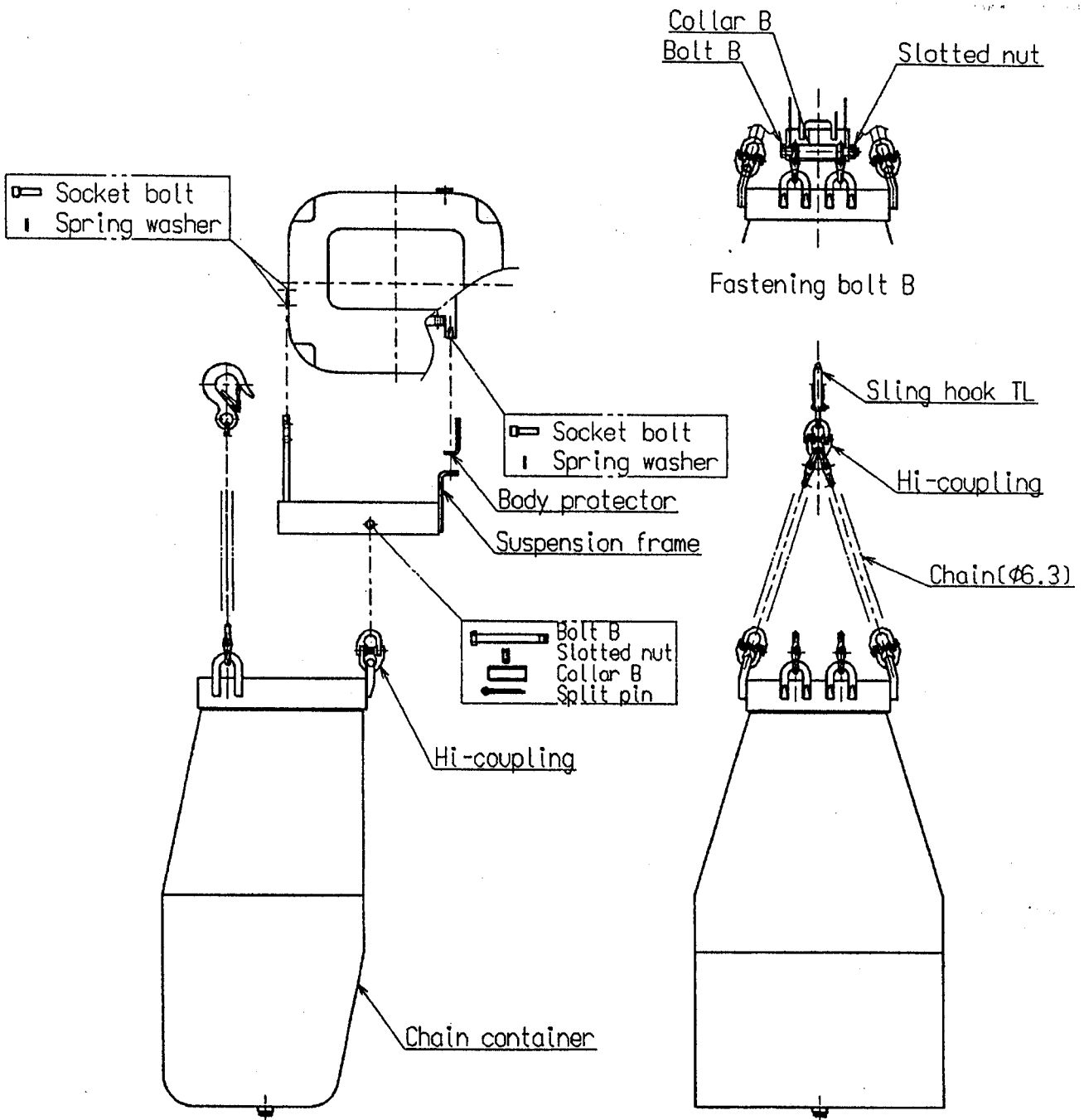


- ◆ Fasten the suspension frame to the chain hoist firmly with the socket bolt.
- ◆ Fasten the chain container firmly with the bolt B, collar B, slotted nut and split pin.

Hook Type Chain Suspension type

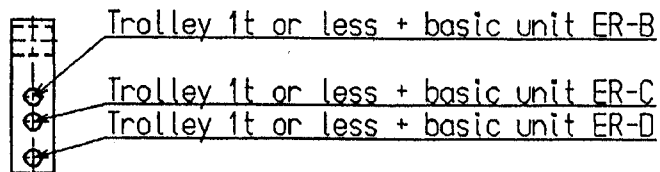
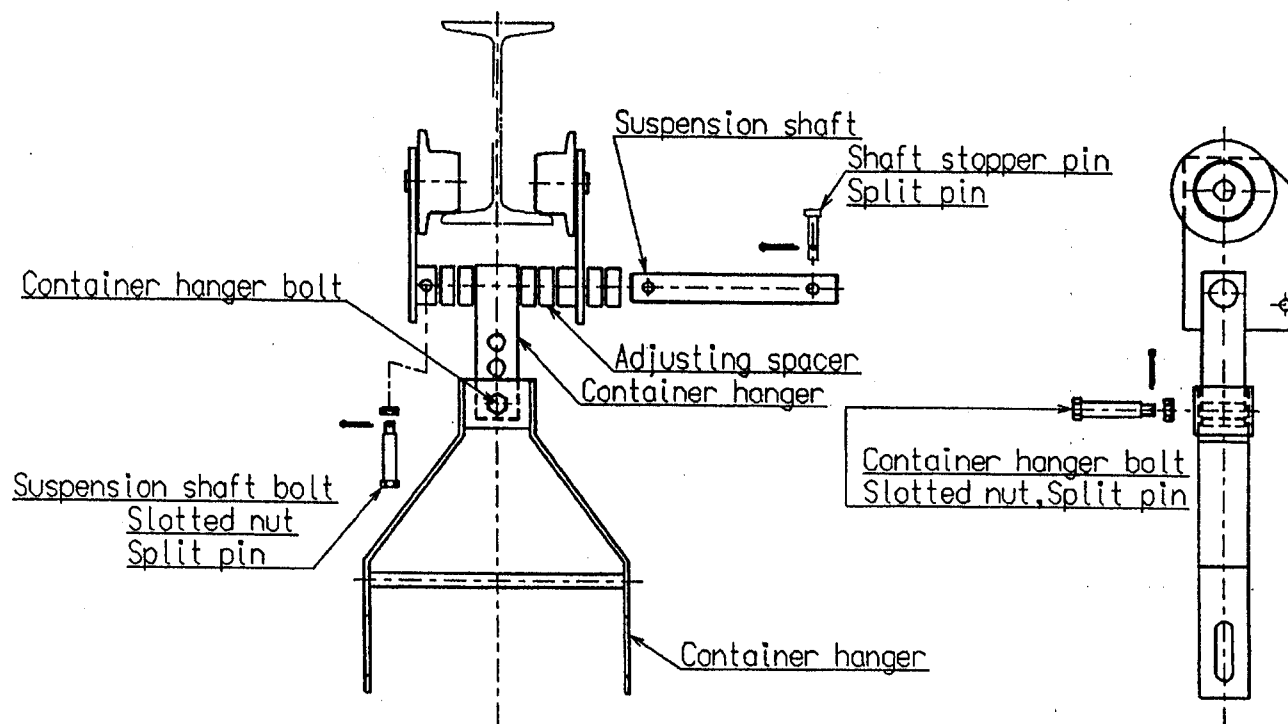
Basic Unit ER - E

* Chain size: $\phi 10 \times 43.1\text{m}$ or more, $\phi 11.2 \times 32.1\text{m}$ or more,
and $\phi 12.5 \times 25.1\text{m}$ or more

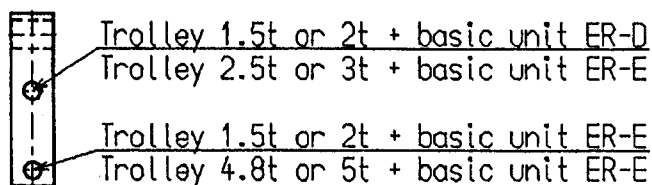


- ◆ Fasten the suspension frame to the chain hoist firmly with the socket bolt.
- ◆ Fasten the chain container firmly with the bolt B, collar B, slotted nut and split pin.

4. Assembly of KC Type



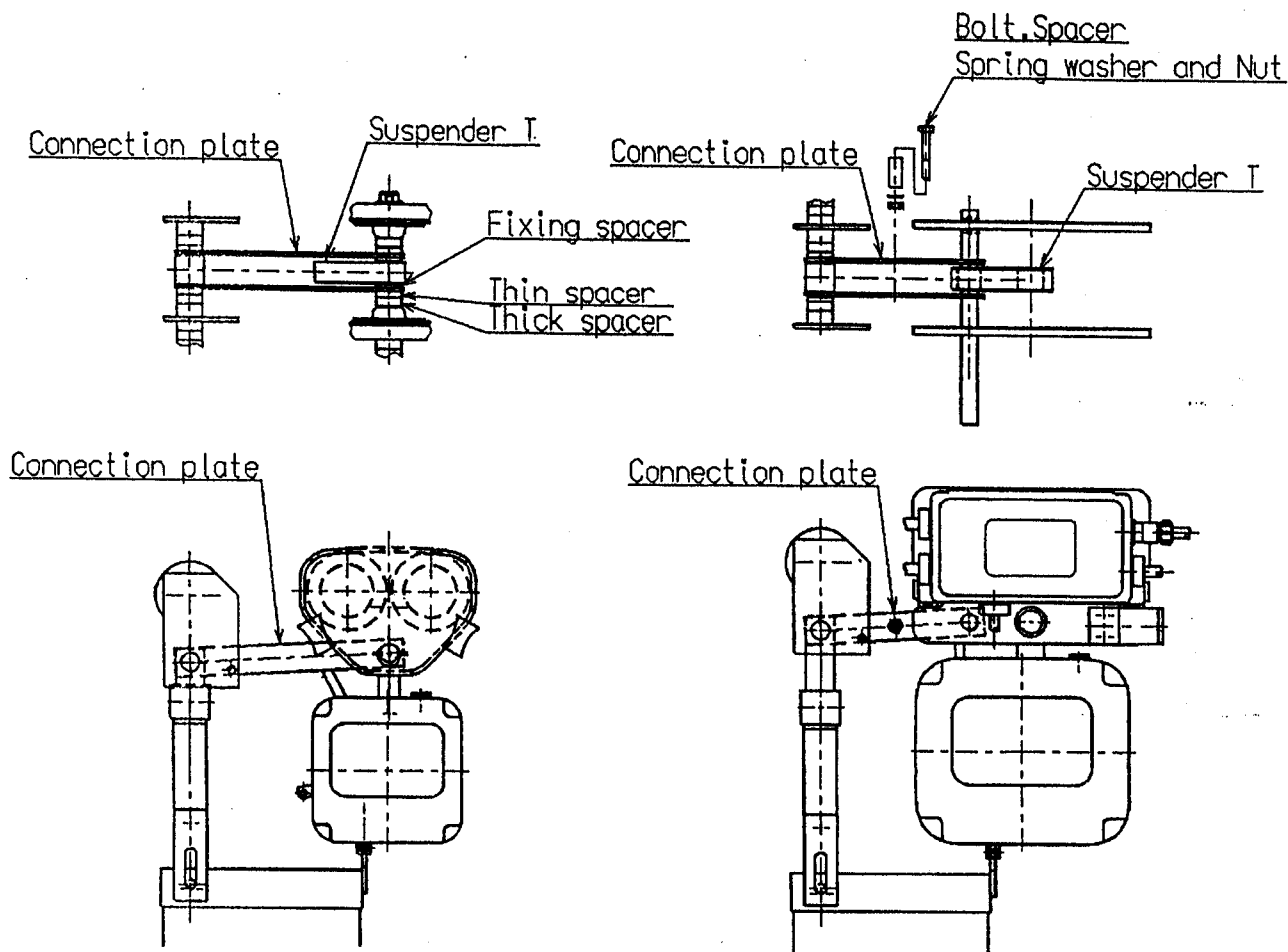
For coupling MR,GT,or PT 1t or less



For coupling MR,GT,or PT 1.5t to 5t

- ◆ The container hanger has two or three holes for the connection. Use the appropriate hanger as required for the rated load.
- ◆ The suspension shaft is available in three sizes (standard, 200mm and 300mm) depending upon the width of the rail. Specify it upon ordering.
- ◆ Refer to the Table 1 and 2 for the adjustment of the width of the rail.
- ◆ Assemble the units correctly in accordance with the arrangement shown above.

5. Notes for use of KC type with a trolley



- ◆ The connection plate, fixing spacer, thin spacer and thick spacer are enclosed in your package as the standard accessory parts of the steel chain container.
- ◆ KC type hoist is assembled in accordance with the drawings above.
- ◆ Adjust the width of rail on the basis of the Table 3. However, the width of rail for MR trolley shall be adjusted in accordance with the figures indicated in the standard instruction manual.

