

Table 10-1 Parts List for HPC500 Series End Trucks

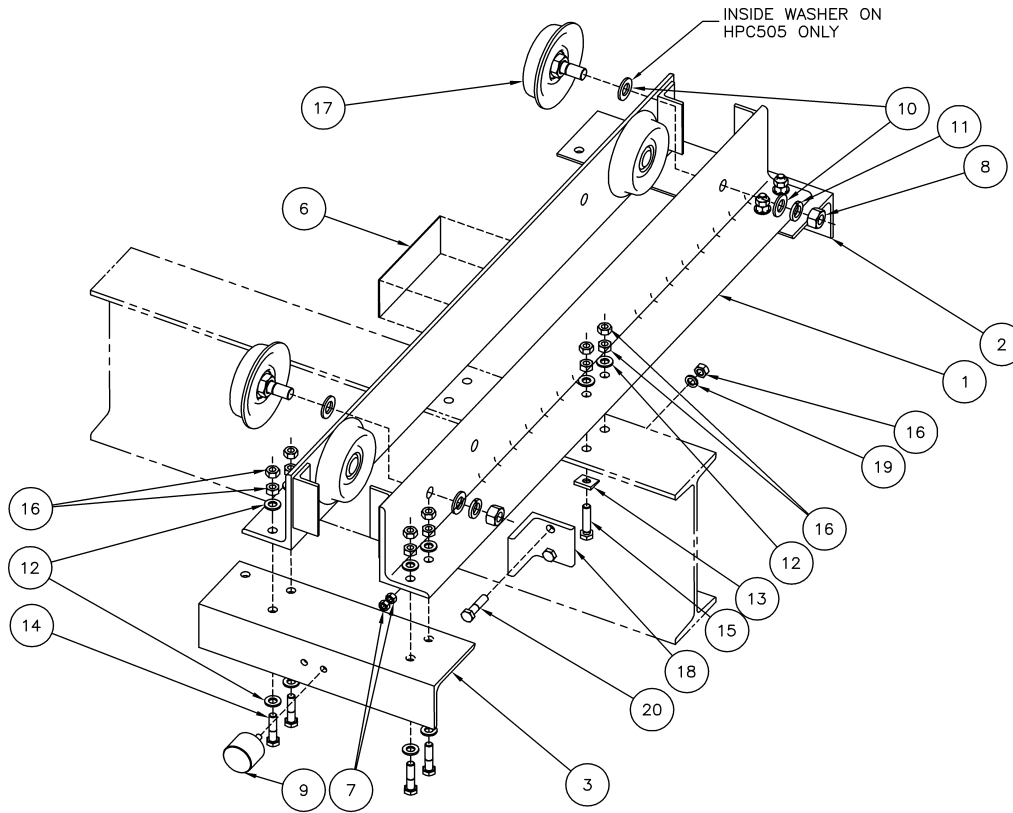


Figure Number	Qty/Pr	HPC505	HPC510	HPC520	PART NAME
1	4	52391	52390	62674	Frame Assembly
2	2		62675		End Bracket A – Standard Flange Range
			62678		End Bracket A – Extended Flange Range
3	2		62676		End Bracket B – Standard Flange Range
			62679		End Bracket B – Extended Flange Range
6	2	80065	80066	80067	Name Plate
7	8		9003903		Nut
8	8	9003905	9003908		Nut
9	4		9004603		Bumper
10	16	9005209			Flat Washer
	8		9005212		
11	8	9005313	9005317		Lock Washer
12	40		9012515		Flat Washer
13	8		9043514		Tapered Washer
14	16		9093374		Bolt
15	8		9093376		Bolt
16	52		9093433		Nut
17	8	9200011	9200012	9200013	Wheel Assembly
18	4		6245909		End Stop
19	4		9012713		Spring Washer
20	4		9093146		Bolt