



M3CB

Series Manual Chain Hoists

1/2 to 50 metric tonne capacity, high-capacity, lightweight hoist

KITO M3 Series Manual Chain Hoists are built with premium-grade components for long life in the toughest industrial and contracting applications. M3 manual chain hoists are small and light, yet extremely durable, with industry-leading quality.

FEATURES

- » At rated capacity, load-bearing parts are only stressed to 25% of their limit
- » Abrasion resistant load chain is made from heat-treated alloy steel for high, uniform strength
- » Forged carbon steel hook design will not fracture under excessive load
- » Safe, reliable mechanical brake activates instantly, holds the load securely
- » Compact design for lightweight portability
- » Articulating top hook allows you to properly centre the load
- » Sealed gears and brake protected against damage from dust and water
- » Open load sheave allows easy inspection and cleaning without dismantling the unit
- » Maintenance-free sealed bearings increase reliability and reduce the pull required to lift loads
- » Heat treated load bearing parts are hardened for long, trouble-free life
- » High-impact steel housing with similar weight to aluminum due to compact design
- » Double reduction gearing requires minimum manual power to operate
- » Double-pawl spring system for increased safety and reliability
- » Test Load: 125% of rated capacity

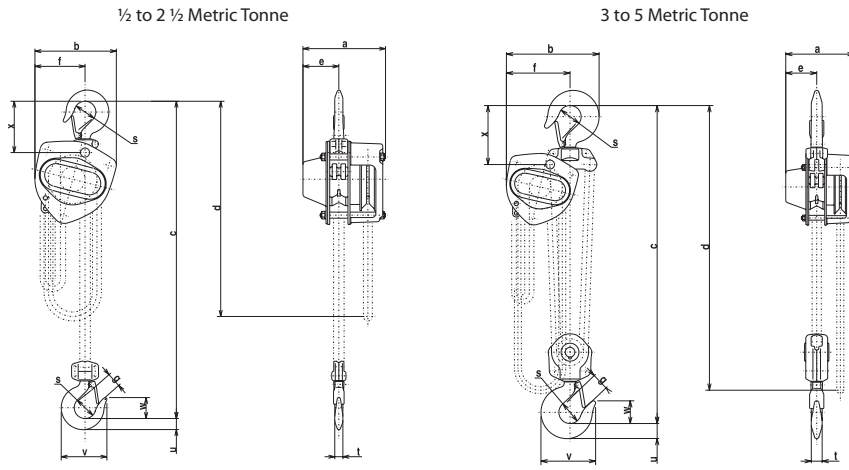
STANDARDS

- » ASME B30.16 Safety Standard
- » ASME HST-2 Performance Standard
- » Grade 100 Chain

OPTIONS

- » Chain bag to keep chain clean and out of the way
- » Slip clutch protects hoist from overloading
- » Nickel-diffused chain for corrosive environments
- » Custom lift lengths to suit your requirements
- » Plain or Geared trolley mount for improved load control

M3CB 1/2 to 50 metric tonne capacity



DIMENSIONS (mm)

Capacity (tonne)	Model	C	a	b	d	e	f	g	s	t	u	v	w	x
1/2	M3CB005	285	158	161	2.5	69	99	27	35.5	12.1	17	77	35	89
1	M3CB010	295	162	161	2.5	71	99	29	42.5	16	21.8	93	41	101
1 1/2	M3CB015	350	171	182	2.5	78	112	34	47.5	19.5	26.5	106	47	119
2	M3CB020	375	182	202	3	87	125	36	50	21.8	30	116	49	124
2 1/2	M3CB025	420	192	233	3	91	143	40	53	24.3	33.5	126	53	136
3	M3CB030	510	171	235	3.1	78	162	42.5	56	27.2	37.5	138	57	148
5	M3CB050	600	192	282	3.6	91	194	46.5	63	34.5	47.5	161	67.5	172

SPECIFICATIONS

Capacity (tonne)	Model	Standard Lift (ft)	Hand Pull to Lift Full Load (kg)	Chain Pulled to Lift Load one meter (meters)	Headroom (in)					Load Chain Code	Load Chain Falls	Hand Chain Code	Hand Chain Falls	Ship Weight (lbs)	Weight per Additional 5 ft of Lift (lbs)
					Hook Mount Only	Plain Trolley		Geared Trolley							
						Hook	Lug	Hook	Lug						
1/2	M3CB005	8	24	25	11.25	14.5	11.6	15	11.6	KCF050	1	KHCF050	2	23	5
1	M3CB010	8	29	43	11.75	15	12	15	12	KCF063	1	KHCF050	2	27	6
1 1/2	M3CB015	8	35	57	13.75	18.5	14	18.5	14	KCF071	1	KHCF050	2	33	7
2	M3CB020	10	36	70	14.75	19	15	19	15	KCB3080	1	KHCF050	2	47	8
2 1/2	M3CB025	10	33	99	16.5	22	17	22	17	KCB3090	1	KHCF050	2	60	9
3	M3CB030	10	36	114	20	26	21	26	21	KCF071	2	KHCF050	2	58	11
5	M3CB050	10	34	198	23.75	31	24	31	24	KCB3090	2	KHCF050	2	95	15