

TCS

Series Air Powered Chain Hoists

1/4 to 1 metric tonne high speed, air powered hoist



The TCS series of air hoists feature a host of advantages to increase your productivity. Compact and highly durable, these quiet-to-operate air hoists perform fine feathering movements and precise load spotting without electrical hazard.

FEATURES

- » 100% duty cycle multi-vane motor with filter/lubricator
- » Independently adjustable lifting and lowering maximum speeds for increased productivity
- » Fine feathering movement with precision starting and stopping
- » Reliable non-asbestos, self adjusting brake provides instant and positive activation of brake
- » Upper and lower limit switch prevent over-travel in up or down direction
- » Load-bearing parts are only stressed to 20% of their limit at rated capacity
- » Abrasion resistant, case-hardened, nickel-plated load chain is made from heat-treated alloy steel
- » Forged carbon steel hook design will not fracture under excessive load
- » 360° swivel bottom hook with built-in bearing, for easy positioning
- » Weathertight construction resists dust and water, reliable in harsh environments
- » Quiet operation with external muffler

STANDARDS

- » ASME B30.16 Safety Standard
- » ASME HST-5 Performance Standard
- » Grade 80, Case Hardened Chain
- » 80.5 dBA at 1 metre
- » 90 PSI Pressure

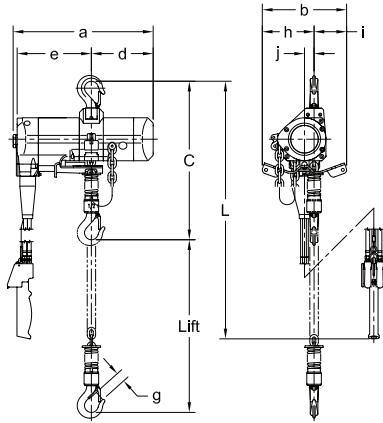
OPTIONS

- » Pendant or cord control to meet your needs
- » Chain bag to keep chain clean and out of the way
- » Custom lift lengths to suit your requirements

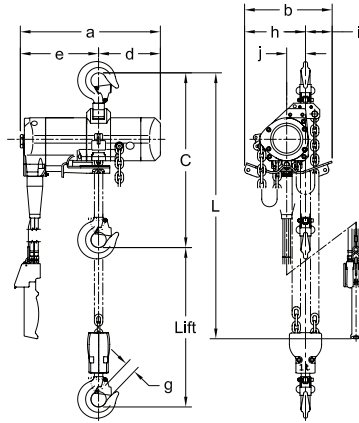
TCS 1/4 to 1 metric tonne capacity



TCS250P/TCS500P



TCS1000P2



DIMENSIONS (mm)

Capacity (tonne)	Model	C	a	b	d	e	g	h	i	j
1/4	TCS250P	414	365	282	161	204	25	197	85	25
1/4	TCS250C	414	365	282	161	204	25	197	85	25
1/2	TCS500P	414	365	282	161	204	25	197	85	25
1/2	TCS500C	414	365	282	161	204	25	197	85	25
1	TCS1000P2	456	365	291	161	204	29	221	70	49
1	TCS1000C2	456	365	291	161	204	29	221	70	49

SPECIFICATIONS

Capacity (tonne)	Model	Standard Lift (ft)	Max. Lift (ft)		Speeds (90 PSI - ft/min)				Headroom (in)	Load Chain Code	Load Chain Falls	Ship Weight (lbs)	Weight per Additional 5 ft of Lift (lbs)
					Up		Down						
			Chain	Pendant	with Load	w/o Load	with Load	w/o Load					
TCS Pendant Control - Hook Suspension													
1/4	TCS250P	10	50	65	112	207	207	125	16.3	KER063	1	42	4
1/2	TCS500P	10	130	65	56	108	112	62	16.3	KER063	1	42	4
1	TCS1000P2	10	55	65	28	54	56	31	17.95	KER063	2	55	7
TCS Cord Control - Hook Suspension													
1/4	TCS250C	10	50	----	112	207	207	125	16.3	KER063	1	42	4
1/2	TCS500C	10	130	----	56	108	112	62	16.3	KER063	1	42	4
1	TCS1000C2	10	55	----	28	54	56	31	17.95	KER063	2	55	7