

# ED

## Series Electric Chain Hoists

100 to 480 kgs capacity, single phase (115V) high speed portable hoist

KITO ED Series Electric Chain Hoists are engineered for light weight, high-speed lifting with the flexibility of variable speeds. ED hoists are small enough to be portable, and they feature advanced hoist technology, easy serviceability, and industry-leading quality.



### FEATURES

- » Load-bearing parts are only stressed to 20% of their limit at rated capacity
- » Abrasion resistant, case-hardened load chain is made from heat-treated alloy steel for high, uniform strength
- » Plated chain for corrosion resistance
- » Forged carbon steel hook design will not fracture under excessive load
- » Double braking system includes both mechanical and regenerative brakes for added safety
- » Spur gears immersed in oil bath ensure quiet, smooth operation and long life
- » Unique chain guide design for smooth chain travel
- » Slip clutch protects the hoist against over travel and overload damage
- » 360° swivel bottom hook with built-in bearing, for easy positioning
- » Weathertight construction resists dust and water
- » Variable high speeds up to 44 ft/min – use the best lift speed for the job
- » Compact and lightweight design is ideal for use in close quarters – small enough to be portable
- » Low voltage pendant control for your safety
- » Tested to 125% of rated capacity

| Duty Ratings             | Single Speed |
|--------------------------|--------------|
| <b>ASME Class</b>        | H3           |
| <b>Max. Starts / hr</b>  | 180          |
| <b>%ED</b>               | 35           |
| <b>Short Time Rating</b> | 15 min       |

### STANDARDS

- » CSA Electrical Certification
- » ASME B30.16 Safety Standard
- » ASME HST-1 Performance Standard
- » Grade 80, Case Hardened Chain
- » IP44 Environmental Protection
- » DC Motor Type



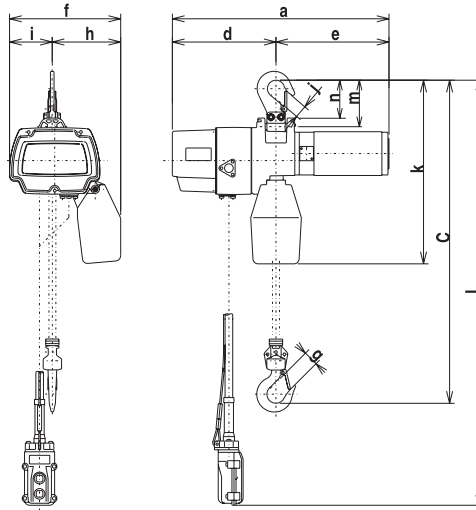
**TMH** 1/4 TONNE - MINI TROLLEY  
Exclusive For ED Series Hoists

### OPTIONS

- » Dual speed units for increased productivity
- » Ergonomic cylinder control for easy one-handed operation
- » Chain bag to keep chain clean and out of the way
- » Custom lift lengths to suit your requirements
- » Plain trolley mount for improved load control

115  
VOLTS

# ED Single/Dual Speed Hoist - Hook Mount



## DIMENSIONS (mm)

| Capacity (tonne) | Model    | C   | a   | d   | e   | f   | h   | i  | g  | j  | k   | m   | n   |
|------------------|----------|-----|-----|-----|-----|-----|-----|----|----|----|-----|-----|-----|
| 100 kg           | EDL10S   | 300 | 371 | 187 | 184 | 200 | 120 | 80 | 27 | 25 | 340 | 92  | 73  |
| 240 kg           | EDL24S   | 325 | 428 | 205 | 223 | 219 | 135 | 84 | 27 | 25 | 362 | 92  | 73  |
| 480 kg           | EDL48S   | 520 | 428 | 205 | 223 | 229 | 155 | 74 | 24 | 24 | 454 | 149 | --- |
| 100 kg           | EDL10ST  | 300 | 371 | 187 | 184 | 200 | 120 | 80 | 27 | 25 | 340 | 92  | 73  |
| 240 kg           | EDL24ST  | 325 | 428 | 205 | 223 | 219 | 135 | 84 | 27 | 25 | 362 | 92  | 73  |
| 480 kg           | EDL48ST  | 520 | 428 | 205 | 223 | 229 | 155 | 74 | 24 | 24 | 454 | 149 | --- |
| 100 kg           | EDCL10SD | 925 | 371 | 187 | 187 | 200 | 120 | 80 | 27 | 25 | 340 | 92  | 73  |
| 240 kg           | EDCL24SD | 955 | 428 | 205 | 223 | 219 | 135 | 84 | 27 | 25 | 362 | 92  | 73  |

## SPECIFICATIONS

| Capacity (tonne)  | Model    | Standard Lift (ft) | Max. Lift (ft) | Lift Speed (ft/min) | Hoist Motor H.P. | Rated Current 115V (amps) | Headroom (in)   |               |     |                | Load Chain Code | Load Chain Falls | Ship Weight (lbs) | Weight per Additional 5 ft of Lift (lbs) |     |
|---|----------|--------------------|----------------|---------------------|------------------|---------------------------|-----------------|---------------|-----|----------------|-----------------|------------------|-------------------|--|-----|
|   |          |                    |                |                     |                  |                           | Hook Mount Only | Plain Trolley |     | Geared Trolley |                 |                  |                   |  |     |
|   |          |                    |                |                     |                  |                           |                 | Hook          | Lug | Hook           |                 |                  |                   |  | Lug |
| <b>EDL High Speed, Portable, Pendant Control, Hook Mount</b>                |          |                    |                |                     |                  |                           |                 |               |     |                |                 |                  |                   |  |     |
| 100 kg  | EDL10S   | 10                 | 20             | 43                  | 0.4              | 5                         | 12              | ---           | 9   | ---            | ---             | KED040           | 1                 | 25                                       | 2   |
| 240 kg  | EDL24S   | 10                 | 100            | 44                  | 0.8              | 10                        | 13              | ---           | 10  | ---            | ---             | KED040           | 1                 | 36                                       | 2   |
| 480 kg  | EDL48S   | 10                 | 50             | 22                  | 0.8              | 10                        | 21              | 23.4          | --- | 24             | ---             | KED040           | 2                 | 49                                       | 4   |
| <b>EDL Dual Speed / High Speed, Portable, Pendant Control, Hook Mount</b>   |          |                    |                |                     |                  |                           |                 |               |     |                |                 |                  |                   |  |     |
| 100 kg  | EDL10ST  | 10                 | 20             | 43/10               | 0.4              | 5                         | 12              | ---           | 9   | ---            | ---             | KED040           | 1                 | 27                                       | 2   |
| 240 kg  | EDL24ST  | 10                 | 65             | 44/10               | 0.8              | 10                        | 13              | ---           | 10  | ---            | ---             | KED040           | 1                 | 37                                       | 2   |
| 480 kg  | EDL48ST  | 10                 | 32             | 22/6.5              | 0.8              | 10                        | 21              | 23.4          | --- | 24             | ---             | KED040           | 2                 | 49                                       | 4   |
| <b>EDCL Cylinder Control, Dual Speed / High Speed, Portable, Hook Mount</b> |          |                    |                |                     |                  |                           |                 |               |     |                |                 |                  |                   |  |     |
| 100 kg  | EDCL10SD | 6                  | 6              | 43/10               | 0.4              | 5                         | 36              | ---           | TBD | ---            | ---             | KED040           | 1                 | 31                                       | --- |
| 240 kg  | EDCL24SD | 6                  | 6              | 44/10               | 0.8              | 10                        | 38              | ---           | TBD | ---            | ---             | KED040           | 1                 | 45                                       | --- |