

# EDCL SERIES

## Single-handed operation. Single-phase power.

Add an ergonomic cylinder control to Kito's variable-speed ED hoist that operates on standard 115 V and you have a recipe for incredible productivity. The EDCL is at home on any production line, while still being small enough to move between job sites. It's a formidable combination that's sure to add valuable flexibility to any operation.

### Ergonomic In-Line Handgrip Control

The ergonomic, in-line handgrip control allows for single-handed operation, which gives the operator a free hand to safely guide and position the load.

### Easy-Touch High/Low Speed Selection

The easy-touch rocker switch above the handgrip allows you to quickly select between low and high speeds. Finger-turn knobs provide flexibility to externally adjust operating speeds from 0–100 percent.

### Quick-Switch Removable Bottom hook

For specific applications where you need an alternative lifting accessory, the EDCL gives you the option to easily remove the standard bottom hook and attach a variety of below-the-hook material handling devices that safely fit your application.

### High Speed Motor

The EDCL electric hoist is a quick-lifting, single-phase speed demon available in a variety of ergonomic configurations. It's compact DC motor reduces weight, generates less heat and maintains duty cycles to keep production moving.

### Standard Double-Braking System

Get double the protection with a Weston-style mechanical load brake plus a regenerative brake.



# EDCL SERIES

## CAPACITY

- 100 to 480 kilograms
- Single and dual speed

## STANDARDS

- CSA approved
- ASME B30.16 Safety Standard
- ASME HST-1 Performance Standard
- IP44 environmental protection
- Load-bearing parts are only stressed to 20% of their limit at rated capacity

## STANDARD OPTIONS

- Dual Speed Units Available
- Plastic, canvas or steel chain containers
- Lift Lengths can be customized to suit requirements
- Hook or manual trolley mount
- TMH Mini Trolley designed to work exclusively with the ED hoist

## CYLINDER CONTROL FEATURES

- Ergonomic control for easy one-handed operation
- Easy-Touch High/Low Speed Selection
- Quick-Switch Removable Bottom hook for insertion of a variety of below-the-hook devices

## BODY

- Die cast aluminum frame
- Low headroom profile
- Weather tight construction resists dust and water

## GEARS

- Precision induction hardened, spur gears immersed in oil bath ensure quiet, smooth operation and long life

## LOAD CHAIN

- Abrasion and corrosion resistant load chain is made from heat-treated alloy steel
- Grade 80

## CHAIN GUIDE

- Long-lasting, heavy-duty cast iron construction

## HOOKS

- Forged carbon steel opens gradually without fracturing under excessive loads.
- Bottom hook swivels 360 degrees
- Self-closing top and bottom hooks with heavy-duty hook latch

## BEARINGS

- Heat-treated, deep-groove ball and needle bearings are immersed in an oil bath

## CONTROLS

- Impact-resistant plastic push button with molded strain relief. Adjustable low speed on dual-speed pendant models
- IP65 dust-tight and watertight environmental protection
- In-line cylinder control permits one-handed operation
- Adjustable High/Low Speeds: Easy touch-finger turn nobs for quick selection from high to low speed

## BRAKE

- Weston-style mechanical load brake and regenerative brake

## MOTOR

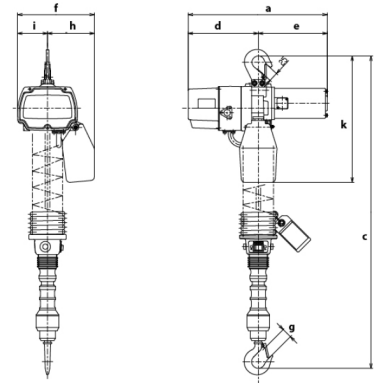
- Single phase
- Voltage: 120-1-60 volt
- Horse Power: .4 to .8 hp
- Duty Cycle: 30%ED
- Compact DC motor with rectifier for AC current

## OVERTRAVEL PROTECTION

- An integrated high-performance friction clutch prevents damaging overloads and overtravel
- Upper limit switch prevents overtravel

# EDCL

CYLINDER CONTROL, DUAL SPEED / HIGH SPEED, PORTABLE  
**HOOK MOUNT**



## DIMENSIONS

| Capacity (tonne) | Model    | C   | a   | d   | e   | f   | h   | i  | j  | k   |
|------------------|----------|-----|-----|-----|-----|-----|-----|----|----|-----|
| 100kg            | EDCL10SD | 925 | 371 | 187 | 187 | 200 | 120 | 80 | 25 | 340 |
| 240kg            | EDCL24SD | 955 | 428 | 205 | 223 | 219 | 135 | 84 | 25 | 362 |

## SPECIFICATIONS

| Capacity (tonne) | Model    | Max Lift (ft) | Headroom (in) | Lift Speed (ft/min) | Hoist Motor H.P. | Rated Current (amps) |  | Load Chain Falls | Ship Weight (lbs) |
|------------------|----------|---------------|---------------|---------------------|------------------|----------------------|--|------------------|-------------------|
|                  |          |               |               |                     |                  | 115V                 |  |                  |                   |
| 100 kg           | EDCL10SD | 6             | 37            | 43/10               | 0.4              | 5                    |  | 1                | 33                |
| 240 kg           | EDCL24SD | 6             | 38            | 44/10               | 0.8              | 10                   |  | 1                | 42                |