

AW SERIES

Spark Resistant Wash Down Friendly Air Hoists.

The AW Series spark resistant wash down air hoist from Harrington is designed for use in limited corrosive, humid, or outdoor environments where equipment must be washed or hosed off regularly. Engineered around the AL Series Air Hoist, the AW boasts all the same ATEX certified and lubrication free features, but with additional wash down capabilities.

Wash down friendly

Engineered for use in humid, limited corrosive or outdoor environments that require the ability to wash down the hoist on a regular basis.

Unpainted aluminum hoist body

Specifically designed to eliminate the risk of accidental contamination, the AW Series air hoist body is bare aluminum with no paint that can chip.

FDA Approved Oil, Grease and Lubricants

Pharmaceutical, beverage and food-associated processing plants require equipment that uses non-toxic lubrication which is why the AW Air Hoist contains FDA approved grease and oil on the load chain and in the gearbox.

Patented Heavy-Duty Disk Brake

Harrington's patented self-adjusting disk brake mechanism eliminates load drift and ensures fine feathering control.

Precise Placement and Positioning

The AL Air Hoist's multi-vane motor design lets you precisely place and position a load exactly where you need it. Gradually control the lift with very fine feathering movements both up or down using a pendant, cord, or twist rod control.



AW SERIES

CAPACITY

- ½ and 1 tonne capacities

STANDARDS

- Wash down friendly
- Spark Resistance: Certified spark resistant (Explosive atmospheres that require features that reduce the risk of spark) to level II 2GD c T5 IIB T100°C and are in compliance with the EU ATEX Directive.
- Operating Conditions: Temperature Range +14° to 104° F Humidity 85% or less

OPTIONS

- Canvas Chain Container
- Steel Chain Container
- Twist Rod Control
- Self-locking Hooks
- Filter, Lubricator, Regulator
- Load Limiter
- Adjustable chain stops
- Additional spark resistant components—consult Customer Service

BODY

- Unpainted aluminum body to eliminate the risk of accidental paint chipping
- Stainless steel and electro-plated external components
- High-strength cast iron housing for proven weather resistance and durability in harsh environments
- Compact and low profile headroom

GEARS

- Gear box and chain lubricants comply with FDA standards
- Bearing Supported Planetary Gearing System for continuous operation at full load.

LOAD CHAIN

- Surface Hardened Steel Load Chain
- Zinc-plated and blue-chromated for corrosion resistance and extended wear.

HOOKS

- Forged carbon steel hooks open gradually without fracturing under excessive loads.
- Bottom and top hooks swivel 360 degrees
- Self-closing top and bottom hooks with heavy-duty hook latch

OPERATION

- Pendant, cord, or twist rod control
- Twist rod control for precise load positioning and ergonomic handling
- Provides outstanding control for fine feathering movements via the spring-loaded multi-vane motor design

BRAKE

- Harrington's patented, heavy-duty self adjusting disk brake eliminates load drift and ensures fine feathering control.

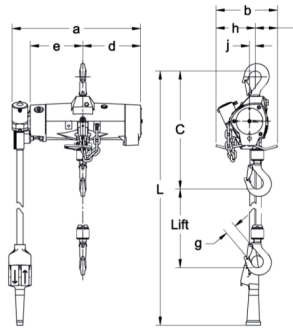
MOTOR

- Air Supply: 90 psi
- Air-powered, spring-loaded multi-vane
- Speed Control: Full range variable speed control
- Lubrication not required. Longer service life when lubrication used.
- Maximum 30-micron air filter or finer required
- Unlimited duty cycle

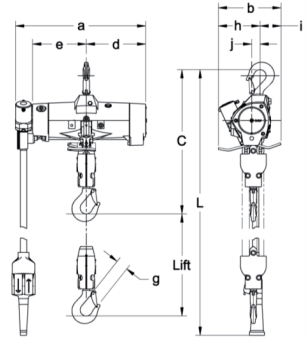
OVERLOAD PROTECTION

- Standard upper and lower limit switches prevent overtravel in up or down direction

AW | PENDANT CONTROL HOOK MOUNT



AS



AS

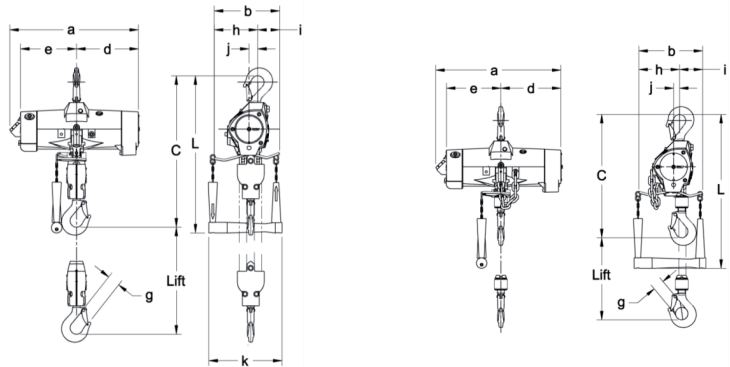
DIMENSIONS

Capacity (tonne)	Model	C (mm)	a (mm)	b (mm)	d (mm)	e (mm)	g (mm)	h (mm)	i (mm)	j (mm)
½	AW005P	376	404	196	183	168	28	130	67	26
1	AW010P2	445	404	196	183	168	28	130	67	26

SPECIFICATIONS

Capacity (tonne)	Model	Standard Lift (ft)	Chain Max Lift (ft)	Pendant Max Lift (ft)	Speeds (90 PSI - ft/min)				Headroom (in)	Load Chain Code	Load Chain Falls	Ship Weight (lbs)	Weight per Additional 5ft of Lift (lbs)
					Up		Down						
					with Load	w/o Load	with Load	w/o Load	Hook Mount Only				
½	AW005P	10	492	30	41	78	72	49	14.8	LCAL005	1	37.5	3
1	AW010P2	10	246	30	21	39	36	25	17.5	LCAL005	2	53	3

AW CORD CONTROL HOOK MOUNT



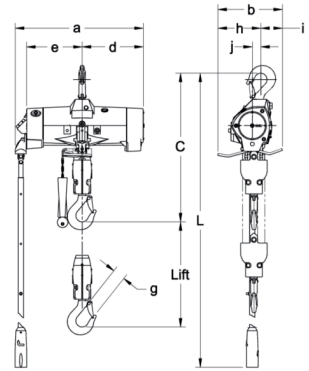
DIMENSIONS

Capacity (tonne)	Model	C (mm)	a (mm)	b (mm)	d (mm)	e (mm)	g (mm)	h (mm)	i (mm)	j (mm)	K (mm)
¼	AW003C	376	392	196	183	171	28	122	74	18	18
½	AW005C	376	392	196	183	171	28	130	67	26	26
1	AW010C2	445	392	196	183	171	28	130	67	26	26
3	AW030C	575	547	348	265	244	51	199	150	39	39
5	AW050C2	785	547	348	265	244	61	227	120	69	69

SPECIFICATIONS

Capacity (tonne)	Model	Standard Lift (ft)	Chain Max Lift (ft)	Pendant Max Lift (ft)	Speeds (90 PSI - ft/min)				Headroom (in)		Load Chain Code	Load Chain Falls	Ship Weight (lbs)	Weight per Additional 5ft of Lift (lbs)
					Up		Down		Hook Mount Only					
					with Load	w/o Load	with Load	w/o Load						
¼	AW003C	10	492	30	61	85	105	66	14.8	LCAL003	1	37.5	3	
½	AW005C	10	492	30	41	78	72	49	14.8	LCAL005	1	37.5	3	
1	AW010C2	10	246	30	21	39	36	25	17.5	LCAL005	2	53	3	
3	AW030C	10	295	30	10	20	20	18	22.6	AL4310075200	1	121	9.5	
5	AW050C2	10	147	30	5.2	9.8	9.8	8.9	30.9	AL4310075200	2	232	9.5	

AW | TWIST ROD CONTROL HOOK MOUNT



AS

DIMENSIONS

Capacity (tonne)	Model	C (mm)	a (mm)	b (mm)	d (mm)	e (mm)	g (mm)	h (mm)	i (mm)	j (mm)
¼	AW003R	376	392	196	183	171	28	122	74	18
½	AW005R	376	392	196	183	171	28	130	67	26
1	AW010R2	445	392	196	183	171	28	130	67	26
3	AW030R	575	547	348	265	244	51	199	150	39
5	AW050R2	785	547	348	265	244	61	227	120	69

SPECIFICATIONS

Capacity (tonne)	Model	Standard Lift (ft)	Chain Max Lift (ft)	Pendant Max Lift (ft)	Speeds (90 PSI - ft/min)				Headroom (in)	Load Chain Code	Load Chain Falls	Ship Weight (lbs)	Weight per Additional 5ft of Lift (lbs)
					Up		Down						
					with Load	w/o Load	with Load	w/o Load	Hook Mount Only				
¼	AW003R	10	492	30	61	85	105	66	14.8	LCAL003	1	37.5	3
½	AW005R	10	492	30	41	78	72	49	14.8	LCAL005	1	37.5	3
1	AW010R2	10	246	30	21	39	36	25	17.5	LCAL005	2	53	3
3	AW030R	10	295	30	10	20	20	18	22.6	AL4310075200	1	121	9.5
5	AW050R2	10	147	30	5.2	9.8	9.8	8.9	30.9	AL4310075200	2	232	9.5

KITO

WWW.KITO.CA | 1.888.322.KITO (5486)

All specifications, dimensions and drawings are available at www.kito.ca, or call our Customer Service staff for friendly and expert advice on models and options.

POWERED HOISTS 5