

AS SERIES

Something this amazing doesn't need any spark.

The Harrington AS Series Air Hoist features stainless steel parts and is engineered to eliminate or reduce the risk of spark caused by industrial applications. The AS is Ex certified spark resistant to level Ex II 2GD c T5 IIC T100°C and is in compliance with the EU ATEX Directive. Contact a qualified person to determine ATEX requirements for specific applications and for worry-free operation. The AS is suited for pharmaceutical processing, applications in the food industry, chemical processing and for paint booths where liquid and powder is involved.

ATEX Certified Spark Resistant

The AS Air Hoist is certified to be spark resistant in explosive atmospheres adhering to level II 2GD c T5 IIB T100°C, in compliance with the EU ATEX Directive.

Lubrication Free Operation

For applications where a clean environment is a necessity, the AS air Hoist can operate completely dry, leaving no lubrication in the exhaust air. Ideal applications could include the food, chemical and pharmaceutical industries. (Note: Hoists can also operate with oil for longer vane life.)

Patented Heavy-Duty Disk Brake

Harrington's patented self-adjusting disk brake mechanism eliminates load drift and ensures fine feathering control.

Precise Placement and Positioning

The AS Air Hoist's multi-vane motor design lets you precisely place and position a load exactly where you need it. Gradually control the lift with very fine feathering movements both up or down using a pendant, cord, or twist rod control.

Stainless Steel Load Chain and Hardware

Stainless steel chain on the AS is resistant against corrosion and rust to ensure ongoing chain strength and performance despite hazardous environments.



AS SERIES

CAPACITY

- 1/4 tonne
- 1/2 tonne

STANDARDS

- Spark Resistance: Certified spark resistant (Explosive atmospheres that require features that reduce the risk of spark) to level II 2GD c T5 IIB T100°C and are in compliance with the EU ATEX Directive.
- Operating Conditions: Temperature Range +14° to 104° F Humidity 85% or less

OPTIONS

- Canvas Chain Container
- Steel Chain Container
- Twist Rod
- Self-locking Hooks
- Filter, Lubricator, Regulator
- Load Limiter
- Additional spark resistant components – consult Customer Service

BODY

- Lightweight and compact cast aluminum body
- Compact and low profile headroom

GEARS

- Bearing Supported Planetary Gearing System for continuous operation at full load.

LOAD CHAIN

- Stainless steel load chain

HOOKS

- Stainless steel top and bottom hooks
- Bottom and top hooks swivel 360 degrees
- Self-closing top and bottom hooks with heavy-duty stainless steel hook latch

OPERATION

- Pendant cord or manipulator control
- Twist rod control for precise load positioning and ergonomic handling
- Provides outstanding control for fine feathering movements using a spring-loaded multi-vane motor design

BRAKE

- Harrington's patented, heavy-duty self adjusting disk brake eliminates load drift and ensures fine feathering control.

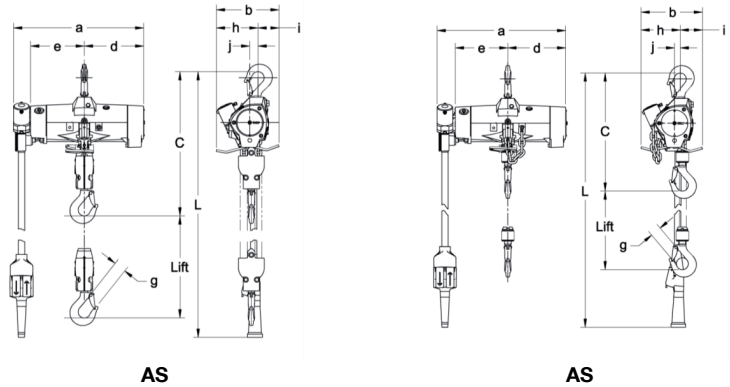
MOTOR

- Air Supply: 90 psi
- Air-powered, spring-loaded multi-vane
- Speed Control: Full range variable speed control
- Lubrication not required. Longer service life when lubrication used.
- Maximum 30-micron air filter or finer required
- Unlimited duty cycle

OVERLOAD PROTECTION

- Standard upper and lower limit switches prevent overtravel in up or down direction

AS | PENDANT CONTROL HOOK MOUNT



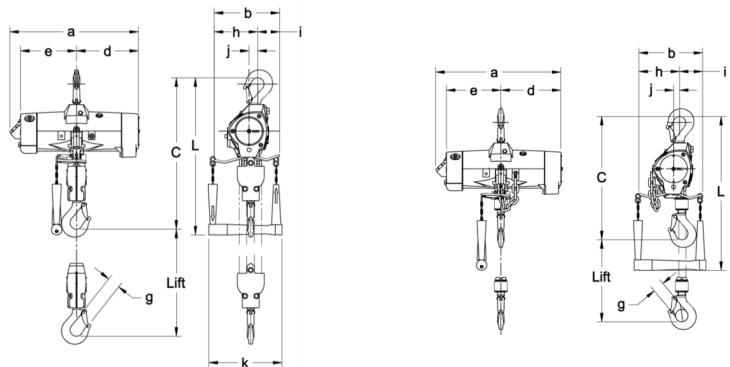
DIMENSIONS

| Capacity (tonne) | Model | C (mm) | a (mm) | b (mm) | d (mm) | e (mm) | g (mm) | h (mm) | i (mm) | j (mm) |
|------------------|--------|--------|--------|--------|--------|--------|--------|--------|--------|--------|
| ¼ | AS003P | 376 | 404 | 196 | 183 | 168 | 28 | 122 | 74 | 18 |
| ½ | AS005P | 376 | 404 | 196 | 183 | 168 | 28 | 130 | 67 | 26 |

SPECIFICATIONS

| Capacity (tonne) | Model | Standard Lift (ft) | Chain Max Lift (ft) | Pendant Max Lift (ft) | Speeds (90 PSI - ft/min) | | | | Headroom (in) | Load Chain Code | Load Chain Falls | Ship Weight (lbs) | Weight per Additional 5ft of Lift (lbs) |
|------------------|--------|--------------------|---------------------|-----------------------|--------------------------|----------|-----------|----------|-----------------|-----------------|------------------|-------------------|---|
| | | | | | Up | | Down | | | | | | |
| | | | | | with Load | w/o Load | with Load | w/o Load | Hook Mount Only | | | | |
| ¼ | AS003P | 10 | 492 | 30 | 61 | 85 | 105 | 66 | 14.8 | LCAL003 | 1 | 37.5 | 3 |
| ½ | AS005P | 10 | 492 | 30 | 41 | 78 | 72 | 49 | 14.8 | LCAL005 | 1 | 37.5 | 3 |

AS | CORD CONTROL HOOK MOUNT



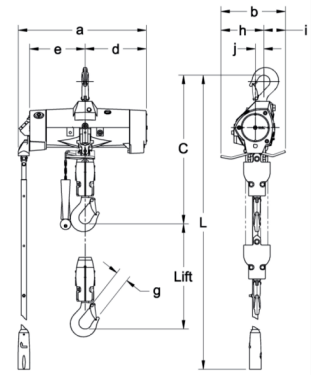
DIMENSIONS

| Capacity (tonne) | Model | C (mm) | a (mm) | b (mm) | d (mm) | e (mm) | g (mm) | h (mm) | i (mm) | j (mm) | K (mm) |
|------------------|--------|--------|--------|--------|--------|--------|--------|--------|--------|--------|--------|
| ¼ | AS003C | 376 | 392 | 196 | 183 | 171 | 28 | 122 | 74 | 18 | 18 |
| ½ | AS005C | 376 | 392 | 196 | 183 | 171 | 28 | 130 | 67 | 26 | 26 |

SPECIFICATIONS

| Capacity (tonne) | Model | Standard Lift (ft) | Chain Max Lift (ft) | Pendant Max Lift (ft) | Speeds (90 PSI - ft/min) | | | | Headroom (in) | Load Chain Code | Load Chain Falls | Ship Weight (lbs) | Weight per Additional 5ft of Lift (lbs) |
|------------------|--------|--------------------|---------------------|-----------------------|--------------------------|----------|-----------|----------|-----------------|-----------------|------------------|-------------------|---|
| | | | | | Up | | Down | | Hook Mount Only | | | | |
| | | | | | with Load | w/o Load | with Load | w/o Load | | | | | |
| ¼ | AS003C | 10 | 492 | 30 | 61 | 85 | 105 | 66 | 14.8 | LCAL003 | 1 | 37.5 | 3 |
| ½ | AS005C | 10 | 492 | 30 | 41 | 78 | 72 | 49 | 14.8 | LCAL005 | 1 | 37.5 | 3 |

AS | TWIST ROD CONTROL HOOK MOUNT



DIMENSIONS

| Capacity (tonne) | Model | C (mm) | a (mm) | b (mm) | d (mm) | e (mm) | g (mm) | h (mm) | i (mm) | j (mm) |
|------------------|--------|--------|--------|--------|--------|--------|--------|--------|--------|--------|
| ¼ | AS003R | 376 | 392 | 196 | 183 | 171 | 28 | 122 | 74 | 18 |
| ½ | AS005R | 376 | 392 | 196 | 183 | 171 | 28 | 130 | 67 | 26 |

SPECIFICATIONS

| Capacity (tonne) | Model | Standard Lift (ft) | Chain Max Lift (ft) | Pendant Max Lift (ft) | Speeds (90 PSI - ft/min) | | | | Headroom (in) | Load Chain Code | Load Chain Falls | Ship Weight (lbs) | Weight per Additional 5ft of Lift (lbs) |
|------------------|--------|--------------------|---------------------|-----------------------|--------------------------|----------|-----------|----------|-----------------|-----------------|------------------|-------------------|---|
| | | | | | Up | | Down | | | | | | |
| | | | | | with Load | w/o Load | with Load | w/o Load | Hook Mount Only | | | | |
| ¼ | AS003R | 10 | 492 | 30 | 61 | 85 | 105 | 66 | 14.8 | LCAL003 | 1 | 37.5 | 3 |
| ½ | AS005R | 10 | 492 | 30 | 41 | 78 | 72 | 49 | 14.8 | LCAL005 | 1 | 37.5 | 3 |