

# MR SERIES

## One smooth operator.

How do you move five tonnes across a factory floor safely and easily? Here's how: add an MR motorized trolley to your Kito ER electric hoist and you'll increase productivity and decrease unwanted movement so you can easily direct your load. Opt for an adjustable two-speed unit with a variable frequency drive (VFD) and you'll also be able to set your speed preference and ensure super smooth starts and stops every time.

*\*MR Trolleys can only be used with ER Hoists.*



### Easy Access Suspension

Quickly change from hook to lug for trolley mount configurations on most models. The MR trolley's external suspension pins allow you to make rapid modifications if needed.

### Adjustable Two-Speed Trolleys

Get excellent traversing motion and load control with a variable frequency drive (VFD). The MR trolley's programmable VFD provides gradual starts and stops to reduce unwanted movement while travelling.

### Innovative Side-Guide Roller System

Designed for very smooth travel along the beam, the MR motorized trolley uses an innovative side-guide roller system that keeps the load controlled and on track while traversing.

### Drop Stops and Rubber Bumpers

Drop stops and rubber bumpers not only provide additional security for the operator, they also protect the equipment against collisions.

# MR SERIES

---

## CAPACITY

- Single Speed: 1/8 to 20 Metric Tonnes
- Dual Speed: 1/8 to 20 Metric Tonnes

## STANDARDS

- Built-in drop stops provide additional security from over travel off the beam
- thermal overload protection
- Case hardened wheels

## OPTIONS

- Extended suspension shafts for wide flange beams

## FRAME

- Steel side plates with aluminum frame.
- Compact profile offering low headroom.

## GEARS

- Precision, induction heated, durable alloy steel gears

## WHEELS

- Contoured wheels fit both tapered and flat-flange beams.
- Four ball bearing supported side rollers enhance smooth trolley motion and reduce wear of the wheels and beam.

## ERGONOMIC PUSHBUTTON STATION

- Impact resistant plastic with molded strain relief to avoid damage from pulling on the push button cord Environmental
- Protection: IP65 Dust/Water tight

## OPERATION

- Single speed: 2-button (momentary contacts)
- Dual speed: 2-button (momentary contacts) with emergency On/Off (maintained contacts)
- Convenient "tow bar" supports and guides the power supply and festoon system.

## BEARINGS

- All steel sealed ball bearings

## BRAKE

- Extremely durable and reliable pull-rotor brake with precision load control during deceleration.

## MOTOR

- Totally enclosed, non-ventilated, thermally protected
- Three phase
- Single Speed – 30 Min.duty cycle
- Dual Speed – 30/10 Min. duty cycle with VFD
- Voltage: 208-230/460/575-3-60 (dual speed models are not re-connectable)

## CONTROLS

- Located on one central electrical panel
- Control Voltage: 110 Volts
- Simple to operate plug in connectors
- Count Hour (CH) Meter
- Adjustable, dual speed, under the cover variable frequency drive (VFD)

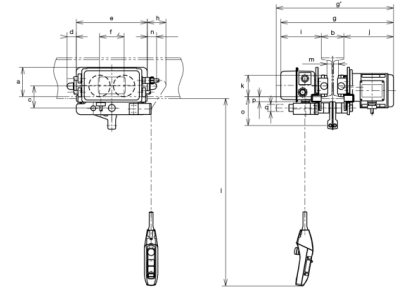
## OVERTRAVEL PROTECTION

- Rubber bumpers Provides protection from collisions and is supplied standard.

# MR

SINGLE SPEED TROLLEY - CONNECTION TO SINGLE SPEED HOIST (220V, 440V, 575V)

## MOTORIZED TROLLEY

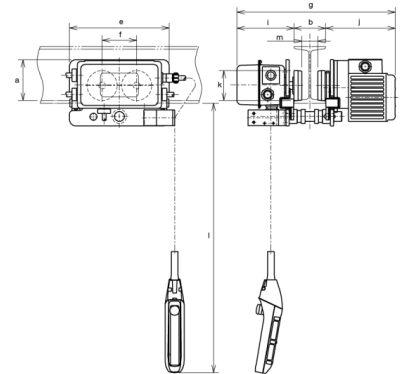


### DIMENSIONS

Capacity (tonne)	Model	a	b	c	d	e	f	g	h	i	j	k	L	m	n	p	q
1	MR2010L	130	58 - 153	98	41	315	109	552 (max)	83	179	220	95	3000	B - 50	41	22	31
1	MR2010S	130	58 - 153	98	41	315	109	552 (max)	83	179	220	95	3000	B - 50	41	22	31
2	MR2020L	125	82 - 178	115	46	325	118	562 (max)	76	184	225	110	3000	B - 55	46	27	36
2	MR2020S	125	82 - 178	115	46	325	118	562 (max)	76	184	225	110	3000	B - 55	46	27	36
3	MR2030L	131	82 - 178	131	51	340	132	589 (max)	70	186	226	125	3000	B - 60	51	29	43
3	MR2030S	131	82 - 178	131	51	340	132	589 (max)	70	186	226	125	3000	B - 60	51	29	43
5	MR2050L	145	100 - 178	156	51	400	150	651 (max)	56	192	281	140	3000	B - 81	51	44	54
5	MR2050S	145	100 - 178	156	51	400	150	651 (max)	56	192	281	140	3000	B - 81	51	44	54
10	MR2100L	166	150 - 220	240	41	610	191	727 (max)	---	223	284	175	3000	B - 88	41	77	70

### SPECIFICATIONS

Capacity (tonne)	Model	Travel Speed	Minimum Radius for Curve (mm)	Trolley Motor H.P.	Standard Flange (in)			Ship Weight (lbs)
					Standard	W20 Extension	W30 Extension	
1	MR2010L	40	800	0.54	2.25 - 5"	5 - 8"	8 - 12"	66
1	MR2010S	80	800	0.54	2.25 - 5"	5 - 8"	8 - 12"	66
2	MR2020L	40	800	0.54	3.25 - 6"	---	6 - 12"	84
2	MR2020S	80	800	0.54	3.25 - 6"	---	6 - 12"	84
3	MR2030L	40	1000	0.54	3.25 - 6"	---	6 - 12"	106
3	MR2030S	80	1000	0.54	3.25 - 6"	---	6 - 12"	106
5	MR2050L	40	1800	1.0	4-7"	---	7 - 12"	154
5	MR2050S	80	1800	1.0	4-7"	---	7 - 12"	154
10	MR2100L	40	2500	1.0	5.5 - 8.7"	---	8.7 - 12"	216
20	MR2200L	40	---	1.0 x 3	5.5 - 8.7"	---	8.7 - 12"	433



## DIMENSIONS

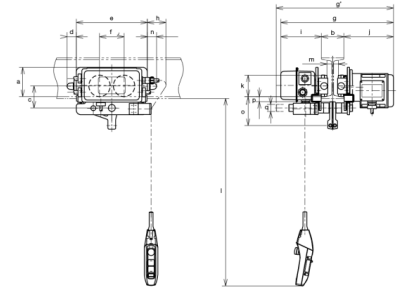
Capacity (tonne)	Model	a	b	e	f	g	i	j	k	L	m
1/8	MR2001IS_	130	305	315	109	704	179	220	95	4500	B - 50
1/4	MR2003IS_	130	305	315	109	704	179	220	95	4500	B - 50
1/2	MR2005IS_	130	305	315	109	704	179	220	95	4500	B - 50
1	MR2010IS_	130	305	315	109	704	179	220	95	4500	B - 50
1 1/2	MR2015IS_	125	305	325	118	714	184	225	110	4500	B - 55
2	MR2020IS_	125	305	325	118	714	184	225	110	4500	B - 55
2 1/2	MR2025IS_	145	305	400	150	778	192	281	140	4500	B - 81
3	MR2030IS_	145	305	400	150	778	192	281	140	4500	B - 81
5	MR2050IS_										

## SPECIFICATIONS

Capacity (tonne)	Model	Travel Speed (ft/min)	Minimum Radius for Curve (mm)	Trolley Motor H.P.	Standard Flange (in)			Ship Weight (lbs)
					Standard	W20 Extension	W30 Extension	
1/8	MR2001IS_	80/13	800	0.54	2.25-5"	5 - 8"	2.25-12"	66
1/4	MR2003IS_	80/13	800	0.54	2.25-5"	5 - 8"	2.25-12"	66
1/2	MR2005IS_	80/13	800	0.54	2.25-5"	5 - 8"	2.25-12"	66
1	MR2010IS_	80/13	800	0.54	2.25-5"	5 - 8"	2.25-12"	66
1 1/2	MR2015IS_	80/13	800	0.54	3.25-6"	----	3.25-12"	84
2	MR2020IS_	80/13	800	0.54	3.25-6"	----	3.25-12"	84
2 1/2	MR2025IS_	80/13	1000	0.54	3.25-6"	----	3.25-12"	103
3	MR2030IS_	80/13	1000	0.54	3.25-6"	----	3.25-12"	103
5	MR2050IS_	80/13	1800	1.0	4-7"	----	4-12"	156

# MR

SINGLE SPEED TROLLEY FOR CONNECTION TO ADJUSTABLE 2-SPEED (220/440V) OR DUAL SPEED (575V) ER2 HOIST  
**MOTORIZED TROLLEY**

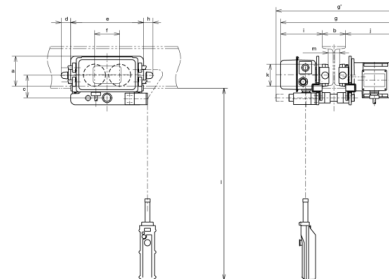


## DIMENSIONS

Capacity (tonne)	Model	a	b	c	d	e	f	g	h	i	j	k	l	m	n	p	q
1/8	MR2001L_D	130	58 - 153	98	41	315	109	552 (max)	83	179	220	95	3000	B - 50	41	22	31
1/4	MR2003L_D	130	58 - 153	98	41	315	109	552 (max)	83	179	220	95	3000	B - 50	41	22	31
1/2	MR2005L_D	125	82 - 178	115	46	325	118	562 (max)	76	184	225	110	3000	B - 55	46	27	36
1	MR2010L_D	125	82 - 178	115	46	325	118	562 (max)	76	184	225	110	3000	B - 55	46	27	36
1 1/2	MR2015L_D	131	82 - 178	131	51	340	132	589 (max)	70	186	226	125	3000	B - 60	51	29	43
2	MR2020L_D	131	82 - 178	131	51	340	132	589 (max)	70	186	226	125	3000	B - 60	51	29	43
2 1/2	MR2025L_D	145	100 - 178	156	51	400	150	651 (max)	56	192	281	140	3000	B - 81	51	44	54
3	MR2030L_D	145	100 - 178	156	51	400	150	651 (max)	56	192	281	140	3000	B - 81	51	44	54
5	MR2050L_D																

## SPECIFICATIONS

Capacity (tonne)	Model	Travel Speed	Minimum Radius for Curve (mm)	Trolley Motor H.P.	Standard Flange (in)			Ship Weight (lbs)
					Standard	W20 Extension	W30 Extension	
1/8	MR2001L_D	40	800	0.54	2.25-5"	5"-8"	8 - 12"	66
1/4	MR2003L_D	40	800	0.54	2.25-5"	5"-8"	8 - 12"	66
1/2	MR2005L_D	40	800	0.54	2.25-5"	---	6 - 12"	66
1	MR2010L_D	40	800	0.54	2.25-5"	---	6 - 12"	66
1 1/2	MR2015L_D	40	1000	0.54	3.25-6"	---	6 - 12"	84
2	MR2020L_D	40	1000	0.54	3.25-6"	---	6 - 12"	84
2 1/2	MR2025L_D	40	1000	0.54	3.25-6"	---	7 - 12"	103
3	MR2030L_D	40	1000	0.54	3.25-6"	---	7 - 12"	103
5	MR2050L_D	40	1800	1.0	4-7"			156



## DIMENSIONS

Capacity (tonne)	Model	a	b	c	d	e	f	g	g'	h	i	j	k	l	m
1/8	MR2001SD5	130	58 - 127	98	41	315	109	526	526	41	179	220	95	---	B - 50
1/4	MR2003SD5	130	58 - 127	98	41	315	109	526	526	41	179	220	95	---	B - 50
1/2	MR2005SD5	130	58 - 127	98	41	315	109	526	526	41	179	220	95	---	B - 50
1	MR2010SD5	130	58 - 127	98	41	315	109	526	526	41	179	220	95	---	B - 50
1 1/2	MR2015SD5	130	58 - 127	98	41	315	109	526	526	41	179	220	95	---	B - 50
2	MR2020SD5	130	58 - 127	98	41	315	109	526	526	41	179	220	95	---	B - 50
2 1/2	MR2025SD5	131	82 - 153	131	---	340	132	612	612	---	185	274	125	3000	B - 60
3	MR2030SD5	131	82 - 153	131	---	340	132	612	612	---	185	274	125	3000	B - 60
5	MR2050SD5	131	82 - 153	131	---	340	132	612	612	---	185	274	125	3000	B - 60

## SPECIFICATIONS

Capacity (tonne)	Model	Travel Speed (ft/min)	Min. Radius for Curve (mm)	Trolley Motor H.P.	Standard Flange (in)			Ship Weight (lbs)
					Standard	W20 Extension	W30 Extension	
1/8	MR2001SD5	80/20	800	0.4/0.1	2.25 - 5"	5 - 8"	8 - 12"	75
1/4	MR2003SD5	80/20	800	0.4/0.1	2.25 - 5"	5 - 8"	8 - 12"	75
1/2	MR2005SD5	80/20	800	0.4/0.1	2.25 - 5"	5 - 8"	8 - 12"	75
1	MR2010SD5	80/20	800	0.4/0.1	2.25 - 5"	5 - 8"	8 - 12"	75
1 1/2	MR2015SD5	80/20	800	0.4/0.1	3.25 - 6"	---	6 - 12"	92
2	MR2020SD5	80/20	800	0.4/0.1	3.25 - 6"	---	6 - 12"	92
2 1/2	MR2025SD5	80/20	1000	0.9/0.2	3.25 - 6"	---	6 - 12"	110
3	MR2030SD5	80/20	1000	0.9/0.2	3.25 - 6"	---	6 - 12"	110
5	MR2050SD5	80/20	1800	0.9/0.2	4 - 7"	---	7 - 12"	165