

A316 STAINLESS STEEL SCREW PIN ANCHOR SHACKLES

This A316 Stainless Steel Screw Pin Anchor Shackle is highly durable and versatile. It can be used for several different applications including industrial, agricultural, and marine rigging. The screw pin is easy to insert and remove, providing ultimate security without any hassle, and the stainless steel composition provides great corrosion resistance. Throw in the fact that it has a working load limit of up to 8,400 lbs, and it's a shackle you can depend on. NOT for overhead lifting.



A316 STAINLESS STEEL SCREW PIN ANCHOR SHACKLES

ATTACHMENT

- Screw Pin Shackle

APPLICATION

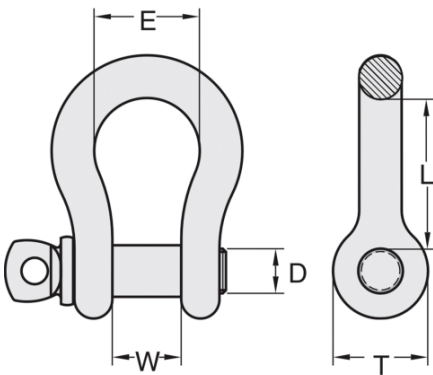
- Industrial, agricultural, and marine rigging

MATERIAL

- A316 Stainless steel

A316 STAINLESS STEEL SCREW PIN ANCHOR SHACKLES

DIAGRAM DRAWINGS



A316 STAINLESS STEEL SCREW PIN ANCHOR SHACKLES

PRODUCTS SPECIFICATIONS

Product	Trade Size (in.)	Dim D (in.)	Dim E (in.)	Dim L (in.)	Dim T (in.)	Dim W (in.)	Quantity Per Pkg.	Lbs. Per Ea.	Working Load Limit (Lbs.)	Working Load Limit (kg)
H8624-0340	3/16	0.250	0.591	0.866	0.551	0.374	5	0.04	400	181
H8624-0440	1/4	0.313	0.787	1.102	0.610	0.472	5	0.07	750	340
H8624-0540	5/16	0.375	0.827	1.220	0.748	0.512	5	0.15	1060	481
H8624-0640	3/8	0.438	1.024	1.417	0.906	0.630	5	0.29	1600	726
H8624-0840	1/2	0.625	1.299	1.890	1.181	0.827	5	0.5	2800	1270
H8624-0940	5/8	0.750	1.693	2.362	1.496	1.063	5	1.09	4900	2200
H8624-1040	3/4	0.875	2.008	2.795	1.811	1.260	5	2.18	6500	3000
H8624-1140	7/8	1.000	2.283	3.307	2.087	1.417	5	2.87	7300	3300
H8624-1240	1	1.125	2.677	3.740	2.362	1.693	5	3.97	8400	4000