

# 316 STAINLESS STEEL SUB-ASSEMBLIES

---

Approved for overhead lifting, this 316 Stainless Steel Sub-Assembly with Small Sub Links is ideal for use with chain rope, nylon slings, and other applications. The top oblong master link is used for connecting to a crane hook and the smaller sub links connect to chain legs. This USA made product ensures the desired lifting angles for proper placement. It is welded, electropolished, proof tested, and also certified to OSHA and ASME standards.



# 316 STAINLESS STEEL SUB-ASSEMBLIES

---

## GRADE

- 50

## STANDARDS

- Certified to OSHA and ASME standards

## APPLICATION

- Custom Lifting

## FINISH

- Welded, Electropolished, and proof tested

## ORIGIN

- Made in USA

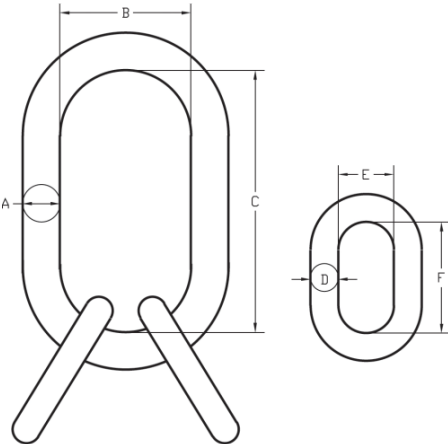
## MATERIAL

- 316 Stainless Steel

# 316 STAINLESS STEEL SUB-ASSEMBLIES

---

## DIAGRAM DRAWINGS



# 316 STAINLESS STEEL SUB-ASSEMBLIES

## PRODUCTS SPECIFICATIONS

Product	Chain Size Inches	Chain Size mm	Dim A (in.)	Dim B (in.)	Dim C (in.)	Dim D (in.)	Dim E (in.)	Dim F (in.)	Lbs. Per Ea.	Working Load Limit (Lbs.) @ 60°
SMS019	3/16	5.5	0.630	2.750	5.500	0.380	0.880	1.500	2.00	2850
SMS025	1/4	6	0.750	3.000	6.000	0.500	1.000	2.000	2.90	3225
SMS038	3/8	10	1.000	3.500	7.000	0.750	1.500	3.000	7.10	6875
SMS050	1/2	13	1.250	4.000	8.000	0.880	2.000	3.500	12.50	11675
SMS063	5/8	16	1.500	5.250	10.500	1.120	2.500	5.000	15.00	15575