

# SCREW PIN CHAIN SHACKLES

---

Small but powerful describes this hot dip galvanized Screw Pin Chain Shackle. Used for hardware and industrial applications, this shackle has an impressive Working Load Limit of up to 17 tons. NOT for overhead lifting.



# SCREW PIN CHAIN SHACKLES

---

## STANDARDS

- RR-C-271F
- Type IVA
- Grade A
- Class 2

## FINISH

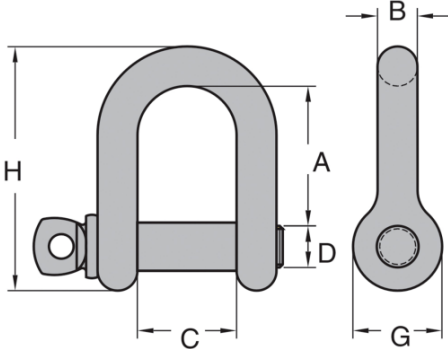
- Hot Dipped Galvanized

## APPLICATION

- Hardware and industrial, accessory

# SCREW PIN CHAIN SHACKLES

## DIAGRAM DRAWINGS



# SCREW PIN CHAIN SHACKLES

## PRODUCTS SPECIFICATIONS

Product	Trade Size (in.)	Pin Dia. (D) (in)	Dim A (in.)	Dim B (in.)	Dim C (in.)	Dim G (in.)	Quantity Per Pkg.	Lbs. Per Ea.	Working Load Limit (Tons)
8060005	3/16	1/4	0.75	0.18	0.375	0.625	25	0.05	1/3
8060105	1/4	5/16	0.875	0.24	0.469	0.875	25	0.11	1/2
8060205	5/16	3/8	1.031	0.3	0.531	1	25	0.18	3/4
8060305	3/8	7/16	1.125	0.36	0.656	1.25	25	0.3	1
8060505	1/2	5/8	1.625	0.48	0.812	1.375	10	0.59	2
8060605	5/8	3/4	2	0.59	1.062	1.875	10	1.27	3-1/4
8060705	3/4	7/8	2.375	0.71	1.25	2.125	10	2.6	4-3/4
8060805	7/8	1	2.812	0.83	1.438	2.375	5	3.15	6-1/2
8060905	1	1-1/8	3.188	0.95	1.688	2.625	5	4.75	8-1/2
8061005	1-1/8	1-1/4	3.562	1.07	1.812	2.875	5	6.75	9-1/2
8061105	1-1/4	1-3/8	3.938	1.19	2.031	3.25	5	9	12
8061205	1-3/8	1-1/2	4.438	1.31	2.25	3.5	1	15	13-1/2
8061305	1-1/2	1-5/8	4.875	1.42	2.375	3.75	1	22	17