
OWNER'S MANUAL

NAVY TROLLEY HOIST

MODEL NTH

1 tonne through 3 tonne Capacity

Code, Lot and Serial Number

⚠ WARNING

This equipment should not be installed, operated or maintained by any person who has not read and understood all the contents of this manual. Failure to read and comply with the contents of this manual can result in serious bodily injury or death, and/or property damage.

KITO

Table of Contents

Section	Page Number
1.0 Important Information and Warnings	4
1.1 Terms and Summary	
1.2 Warning Tags and Labels	
2.0 Technical Information.....	8
2.1 Specifications	
2.2 Dimensions	
2.3 Optional Equipment	
3.0 Preoperational Procedures	12
3.1 Chain	
3.2 Attachment Points	
3.3 Mounting the Hoist	
3.4 Preoperational Checks and Trial Operation	
4.0 Operation	17
4.1 Introduction	
4.2 Shall's and Shall Not's for Operation	
4.3 Safety Consideration	
4.4 Operation	
5.0 Inspection	20
5.1 General	
5.2 Inspection Classification	
5.3 Frequent Inspection	
5.4 Periodic Inspection	
5.5 Occasionally Used Hoists	
5.6 Inspection Records	

Section

Page Number

5.7	Inspection Methods and Criteria	
6.0	Maintenance & Handling	30
6.1	Lubrication	
6.2	Disassembly, Assembly and Adjustment	
6.3	Hoist Disassembly	
6.4	Hoist Assembly	
6.5	Storage	
6.6	Outdoor Installation	
7.0	Troubleshooting	38
8.0	Warranty	41
9.0	Parts List	43

1.0 Important Information and Warnings

1.1 Terms and Summary

This manual provides important information for personnel involved with the installation, operation and maintenance of this product. Although you may be familiar with this or similar equipment, it is strongly recommended that you read this manual before installing, operating, or maintaining the product.

Danger, Warning, Caution, and Notice

Throughout this manual there are steps and procedures that can present hazardous situations. The following signal words are used to identify the degree or level of hazard seriousness.

⚠ DANGER Danger indicates an imminently hazardous situation which, if not avoided, **will** result in **death or serious injury**, and property damage.

⚠ WARNING Warning indicates an imminently hazardous situation which, if not avoided, **could** result in **death or serious injury**, and property damage.

⚠ CAUTION Caution indicates a potentially hazardous situation which, if not avoided, **may** result **minor or moderate injury** or property damage.

NOTICE Notice is used to notify people of installation, operation, or maintenance information which is important but not directly hazard-related.

⚠ CAUTION

These general instructions deal with the normal installation, operation, and maintenance situations encountered with the equipment described herein. The instructions should not be interpreted to anticipate every possible contingency or to anticipate the final system, crane, or configuration that uses this equipment. For systems using the equipment covered by this manual, the supplier and owner of the system are responsible for the system's compliance with all applicable industry standards, and with all applicable federal, state, and local regulations/codes.

This manual includes instructions and parts information for a variety of hoist types. Therefore, all instructions and parts information may not apply to any one type or size of specific hoist. Disregard those portions of the instructions that do not apply.

Record your hoist's Code, Lot and Serial Number (see Section 9) on the front cover of this manual for identification and future reference to avoid referring to the wrong manual for information or instructions on installation, operation, inspection, maintenance, or parts.

Use only KITO authorized replacement parts in the service and maintenance of this hoist.

WARNING

Equipment described herein is not designed for and **MUST NOT** be used for lifting, supporting, or transporting people, or for lifting or supporting loads over people.

Equipment described herein should not be used in conjunction with other equipment unless necessary and/or required safety devices applicable to the system, crane, or application are installed by the system designer, system manufacturer, crane manufacturer, installer, or user.

Modifications to upgrade, rerate, or otherwise alter this equipment shall be authorized only by the original equipment manufacturer.

Equipment described herein may be used in the design and manufacture of cranes or monorails. Additional equipment or devices may be required for the crane and monorail to comply with applicable crane design and safety standards. The crane designer, crane manufacturer, or user is responsible to furnish these additional items for compliance. Refer to ANSI/ASME B30.17, "Safety Standard for Top-Running Single Girder Cranes"; ANSI/ASME B30.2 "Safety Standard for Top-Running Double-Girder Cranes"; and ANSI/ASME B30.11 "Safety Standard for Underhung Cranes and Monorails".

If a below-the-hook lifting device or sling is used with a hoist, refer to ANSI/ASME B30.9, "Safety Standard for Slings" or ANSI/ASME B30.20, "Safety Standard for Below-the-Hook Lifting Devices".

Hoists used to handle hot molten material may require additional equipment or devices. Refer to ANSI Z241.2, "Safety Requirements for Melting and Pouring of Metals in the Metalcasting Industry".

Failure to read and comply with any one of the limitations noted herein can result in serious bodily injury or death, and/or property damage.

NOTICE

It is the responsibility of the owner/user to install, inspect, test, maintain, and operate a trolley or hoist in accordance with ANSI/ASME B30.16, "Safety Standard for Overhead Hoists". If the trolley is installed as part of a total lifting system, such as an overhead crane or monorail, it is also the responsibility of the owner/user to comply with the applicable ANSI/ASME B30 volume that addresses that type of equipment.

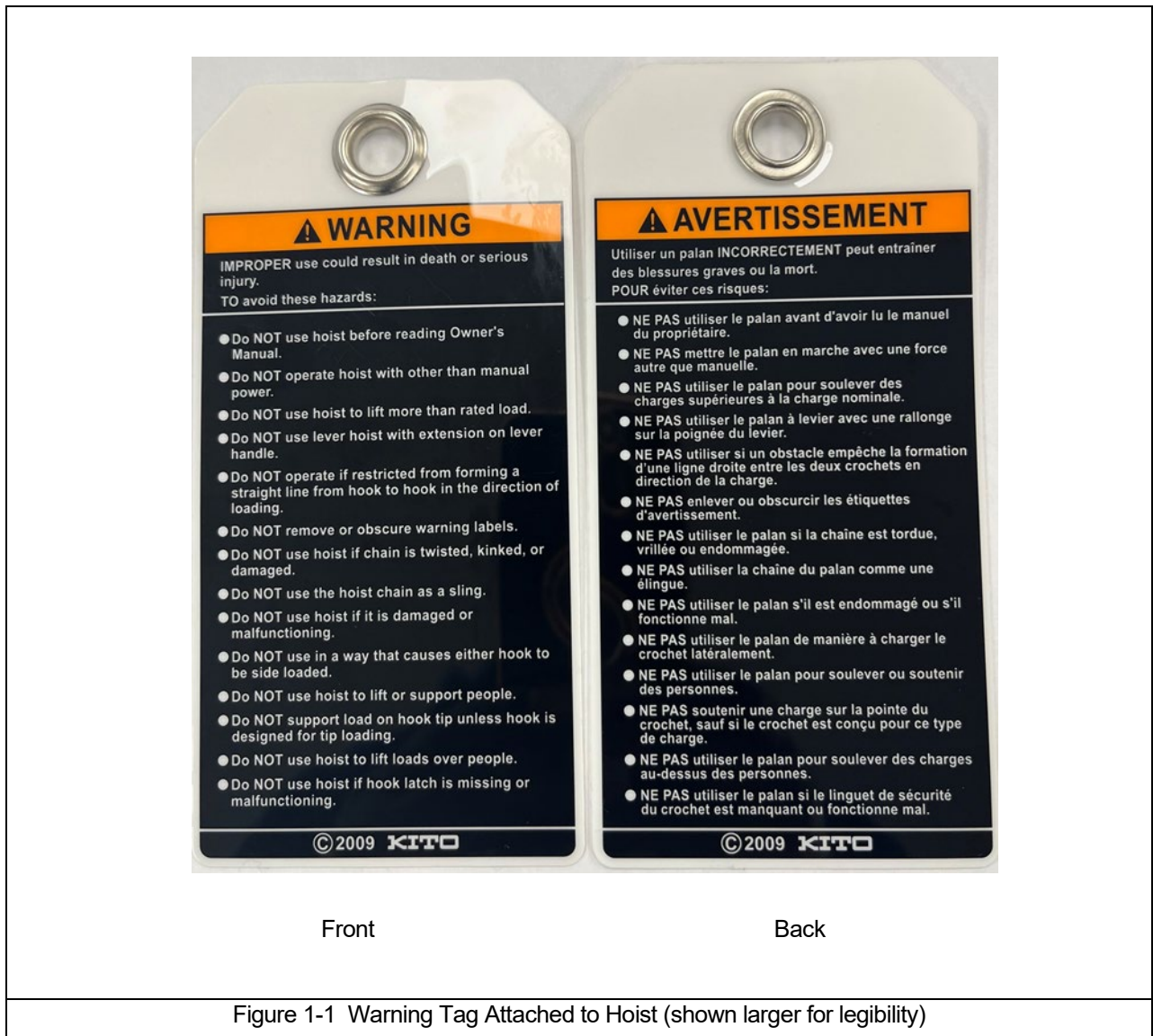
It is the responsibility of the owner/user to have all personnel that will install, inspect, test, maintain, and operate a hoist read the contents of this manual and applicable portions of ANSI/ASME B30.16, "Overhead Hoists (Underhung)". If the trolley is installed as part of a total lifting system, such as an overhead crane, the applicable ANSI/ASME B30 volume that addresses that type of equipment must also be read by all personnel.

If the hoist owner/user requires additional information, or if any information in the manual is not clear, contact KITO or the distributor of the hoist. Do not install, inspect, test, maintain, or operate this hoist unless this information is fully understood.

A regular schedule of inspection of the hoist in accordance with the requirements of ANSI/ASME B30.16 should be established and records maintained.

1.2 Warning Tags and Labels

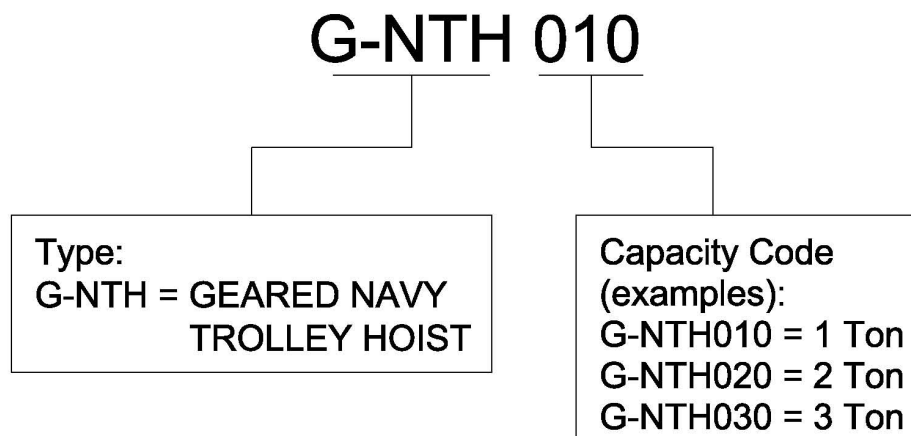
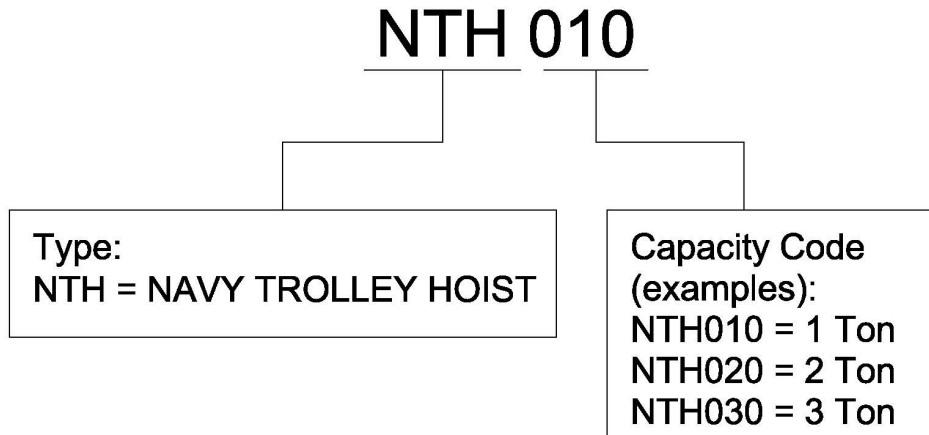
The warning tag illustrated below in Figure 1-1 is supplied with each hoist shipped from the factory. If the tag is not attached to your hoist's no-load side of the load chain, order a tag from your dealer and install it. Read and obey all warnings attached to this hoist. Tag is not shown actual size.



2.0 Technical Information

2.1 Specifications

2.1.1 Product Code



2.1.2 Operating Conditions and Environment

Temperature range: -20° to +60°C (-4° to +140°F)

Humidity: 100% or less (Not an Underwater Device)

Table 2-1 NTH Trolley Hoist Specifications

Cap. Tonne	Product Code		Headroom C (in)	Std. Lift (ft)	Pull to Lift Load (lbs)	Overhaul Ratio	Min. Radius for Curve (in)	*Flange Range B (in)	Load Chain Dia. (mm) x Chain Fall Lines	Push			Geared		
	Push Trolley	Geared Trolley								Net Wt. (lbs)	Shipping Weight Approx. (lbs)	Wt. for Addn'l One ft of Lift (lbs)	Net Wt. (lbs)	Shipping Weight Approx. (lbs)	Weight for Addn'l One ft of Lift (lbs)
1	NTH010	G-NTH010	12.5	10	72	31	39	2.32-5.16	6.3x1	62	65	1.2	73	78	1.8
2	NTH020	G-NTH020	16.5	10	80	63	47	3.72-5.97	6.3x2	92	97	1.8	103	110	2.4
3	NTH030	G-NTH030	19.0	10	92	81	59	3.62-6.26	7.1x2	125	133	2.1	136	177	2.8

* Other beam widths available. Consult factory.

*NOTE: Any lift of chain is available on request. Simply specify the length of chain desired when ordering. Because KITO chains are specially heat treated, only authentic KITO chains should be used on your hoist. **NEVER** attempt to lengthen the chain by attaching additional chain links to it or by any other means.

2.2 Dimensions

Table 2-2 NTH Trolley Hoist Dimensions

Cap. Tonne	a (in)	a' (in)	b (in)	d (ft)	e (in)	e' (in)	f (ft)	g (in)	h (in)	i (in)	j (in)	k (in)	k' (in)	m (in)	n (in)	r (in)	t (in)
1	8.2	13.0	10.9	10.0	1.0	5.9	10.4	1.1	4.2	2.80	0.8	3.5	4.4	1.9	4.6	1.9	0.75
2	9.5	14.2	13.8	10.0	1.2	6.0	10.4	1.4	5.0	3.35	0.9	4.2	4.7	2.3	5.4	2.3	1.00
3	9.7	14.3	15.6	10.0	1.3	5.9	10.8	1.7	5.8	3.94	0.9	4.9	5.0	2.4	6.2	2.4	1.13

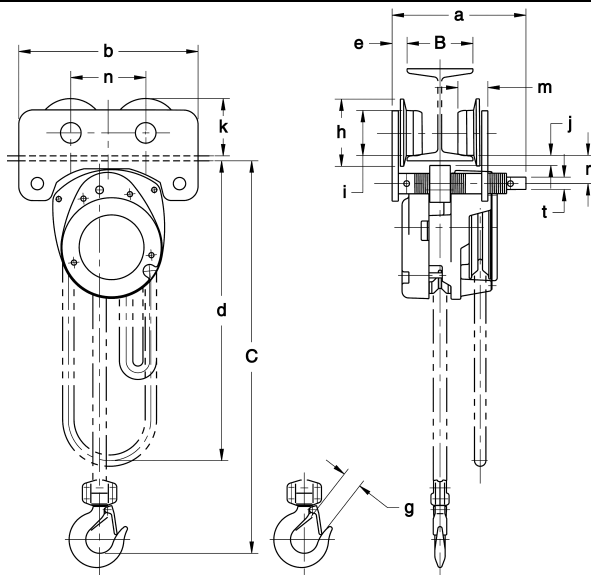


Figure 2-1 NTH (Push Trolley Model)

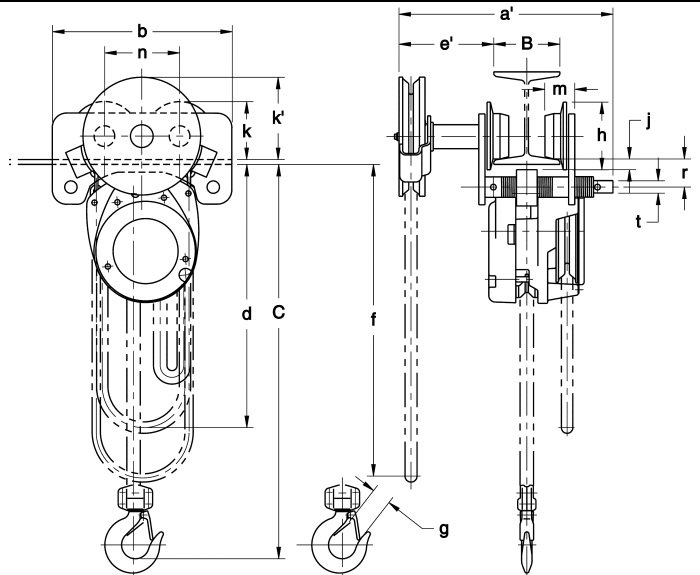
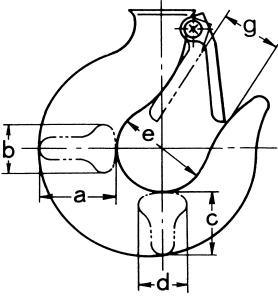


Figure 2-2 G-NTH (Geared Trolley Model)

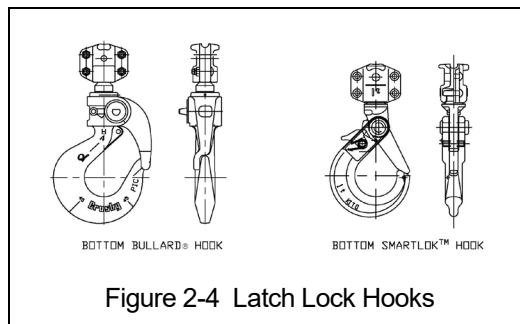
Table 2-3 Bottom Hook Dimension*							
							
Figure 2-3							
Cap. Tonne	Product Code	a (in)	b (in)	c (in)	d (in)	e (in)	g (in)
1	NTH010	1.0	0.6	0.9	0.6	1.7	1.1
2	NTH020	1.4	0.9	1.2	0.9	2.0	1.4
3	NTH030	1.8	1.1	1.5	1.1	2.2	1.7

*Refer to Section 5.7 for inspection dimensions and limits.

2.3 Optional Equipment

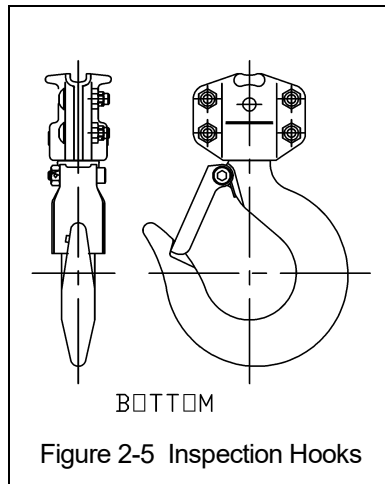
2.3.1 Optional Latch Lock Hooks

- The Bullard® hook has a conventional hook shape with a special, heavy-duty, rotating, spring-loaded, locking latch. The latch remains locked until it is released by the operator.
- The SmartLok™ hook is a special design hook where the latch remains fixed and the hook swings to unlock. The hook cannot be opened while a load is applied. (*Note: this type of hook was previously offered as a Shur-Loc®, but was replaced in 2022*)
- Installation of these hooks may change the headroom.
- See Section 9.2, Parts List for a complete Latch Lock Hook part listing.



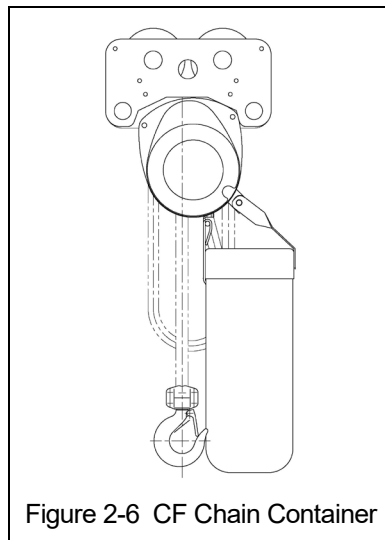
2.3.2 Optional Inspection Hook

- The Inspection Hook is designed to facilitate the inspection of the internal surfaces of the hook yoke and shank portion of the hook itself. The Inspection Hook is suitable for applications where inspection of the internal parts of the hook set is required. The inspection hook uses the standard KITO hook set and is assembled with high-strength locking fasteners instead of rivets. Inspection hooks are available in top and bottom versions. Refer to Figure 2-5.
- Disassembly and re-assembly involves removal and reinstallation of the yoke fasteners of the Inspection Hook Set Assembly followed by testing of the hoist prior to returning it to service.
- The Inspection Hook is available only for the NTH010 hoist.
- See Section 9.2, Parts List for a complete Inspection Hook part listing.



2.3.3 Optional Chain Containers

- Chain containers are sized based on the capacity and lift of the hoist. The containers are constructed from vinyl coated canvas with a steel frame on top. The containers are prepared differently depending on the hoist model.



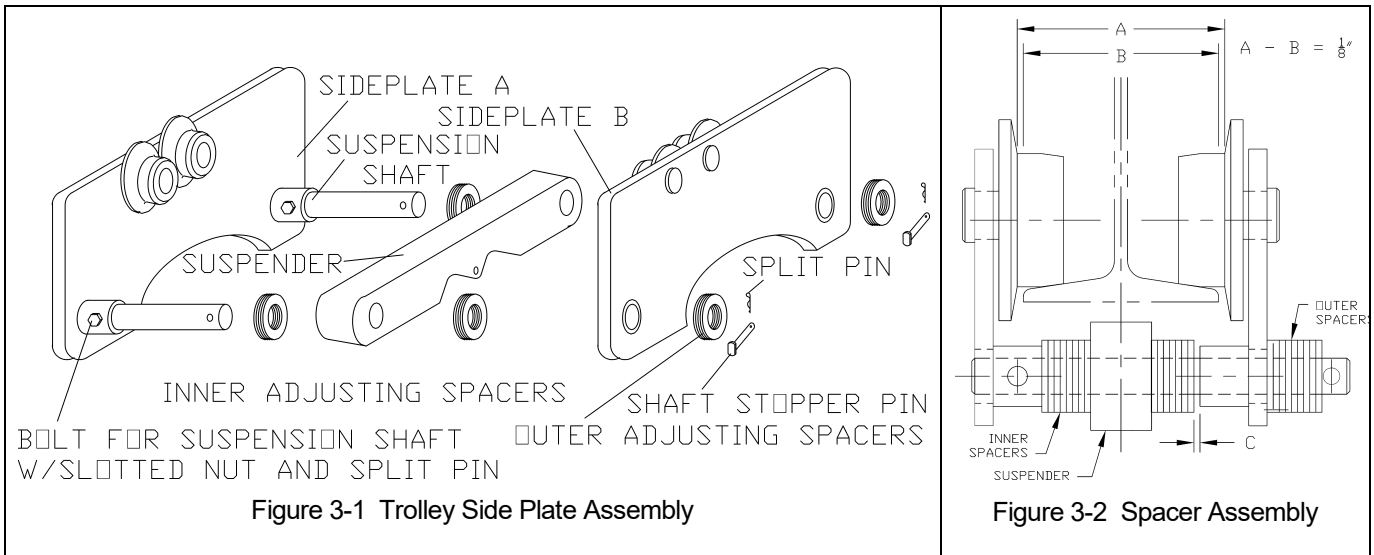
3.0 Preoperational Procedures

3.1 Trolley Adjustment

3.1.1 **NOTICE** Before use, the manual trolley can be adjusted in increments of 1/8" by simply inserting or removing adjusting spacers to fit a variety of beam flanges. To adjust the trolley, reference Figures 3-1 and 3-2. Proceed with the following instructions:

1. Remove the stop pins and slide off side plate B and spacers from the suspension shafts.
2. Reinsert the appropriate number of inner spacers for the desired flange width (Table 3-1).
3. Insert side plate "B" and external spacers and lock into place with the stop pins.

Note: Referencing Figure 3-2, the trolley wheel flange to wheel flange dimension (A) will be approximately 1/8" wider than the beam width (B). This will leave 1/16" clearance per side. There will also be a clearance between the inner spacers and the sideplate (C). This dimension will equal up to approximately 3/8".



Note: Pages 13 and 14 give spacer arrangement information. Take note the number on spacers of inner side as follows:

Example: 1 + 2
└──────────┬──────────┘
 Number on Side Plate A
 Number on Side Plate B

Table 3-1 Number of Adjusting Spacers

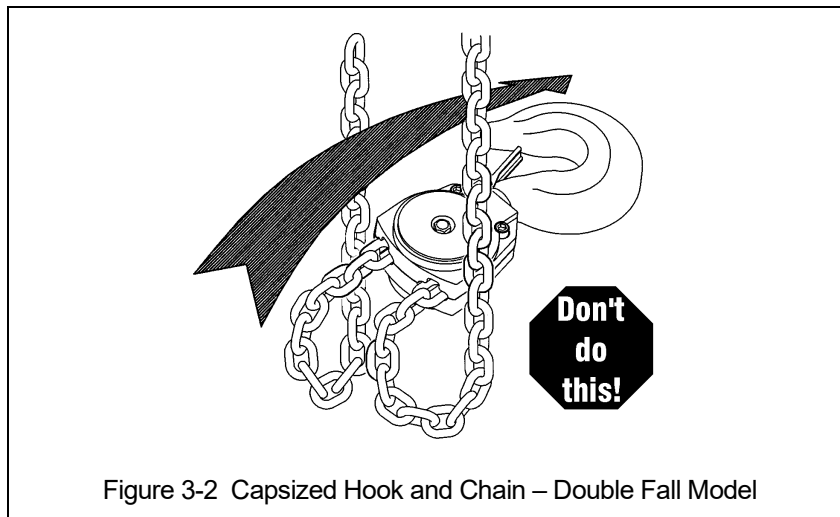
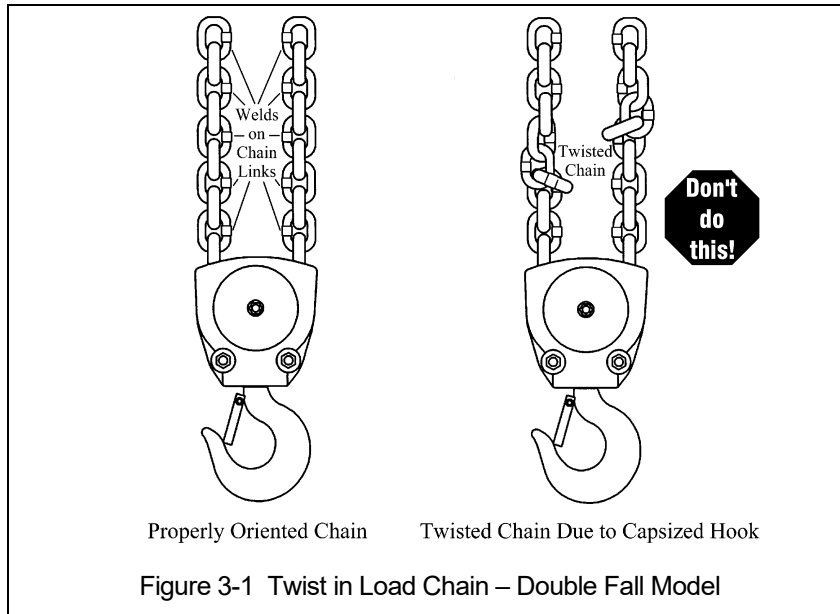
I-Beam Width	(in)	2 5/16	2 1/2	2 3/8	3	3 1/4	3 9/16	3 3/8	3 15/16	4	4 3/16	4 5/16	4 7/16	4 11/16	4 15/16	5	5 3/16	5 5/16	5 3/8	5 1/2	5 7/8	6	6 1/8	6 5/16	6 7/16
		2 3/8	2 15/16	3 1/8			3 1/2		3 5/8		3 7/8	4 1/8	4 3/8	4 5/8			4 7/8	5 1/8		5 3/8				5 5/8	5 7/8
Cap.	(mm)	58	64	73	75	82	90	98	100	102	106	110	113	119	125	127	131	135	137	143	149	153	155	160	163
			66	74	76		91		111		112	120	145	147							150				
NTH010	Inner	0	1+1	3+3	3+3	4+4	5+6	7+7	7+7	7+8	8+8	8+9	9+9	10+11	11+12	11+12	4+4	4+4	4+5	6+6	7+7	7+8	8+8	8+9	9+9
	Outer	24	22	18	18	16	13	10	10	9	8	7	6	3	1	1	16	16	15	12	10	9	8	7	6
NTH020	Inner					0+0		1+1	1+1	1+2	2+2	2+3	3+3	4+5	5+5	5+6	6+6	6+7	7+7	8+8	9+9	1+2	2+2	2+3	3+3
	Outer					18		16	16	15	14	13	12	9	8	7	6	5	4	2	0	15	14	13	12
NTH030	Inner					0+0		1+2	1+2	2+2	2+3	3+3	3+4	5+5	5+6	6+6	6+7	7+8	7+8	8+9	10+10	10+10	10+11	3+3	3+4
	Outer					22		19	19	18	17	16	15	12	11	10	9	7	7	5	2	2	1	16	15

I-Beam Width	(in)	6 1/16	6 3/8	7	7 1/16	7 1/4	7 3/8	8	8 7/16	8 11/16	9	9 1/8	9 1/4	10	10 1/8	10 1/4	10 3/8	10 1/2	11	11 1/8	11 1/4	11 3/8	11 1/2	11 3/4	11 13/16
		7 1/8	7 5/16	7 7/16	7 9/16	8 1/8			8 3/8	8 5/8		8 7/8	9 1/16		9 3/16	9 5/16	9 7/16	9 9/16		10 1/16	10 3/16	10 5/16	10 7/16	10 9/16	11 1/16
Cap.	(mm)	170	175	178	180	184	200	203	215	220	229	232	250	254	257	260	264	267	279	283	286	289	295	298	300
					181	185			205	210		225	230	245	248	255	258	262	265	268	275	278	285	288	292
NTH010	Inner	10+10	11+11	11+12	12+12	4+5	7+7	7+8	9+9	10+10	11+12	12+12	7+7	7+8	8+8	8+9	9+9	9+10	11+12	12+12	4+4	4+5	5+6	6+7	6+7
	Outer	4	2	1	0	15	10	9	6	4	1	0	10	9	8	7	6	5	1	0	16	15	13	11	11
NTH020	Inner	4+4	5+5	5+6	6+6	6+7	9+9	1+2	3+3	4+4	5+6	6+6	9+9	1+2	2+2	2+3	3+3	3+4	5+6	6+6	6+7	7+7	8+8	8+9	8+9
	Outer	10	8	7	6	5	0	15	12	10	7	6	0	15	14	13	12	11	7	6	5	4	2	1	1
NTH030	Inner	4+5	5+6	6+6	6+7	7+8	9+10	10+10	3+4	4+5	6+6	6+7	9+10	10+10	10+11	11+11	3+4	4+4	6+6	6+7	7+7	7+8	8+9	9+9	9+10
	Outer	13	11	10	9	7	3	2	15	13	10	9	3	2	1	0	15	14	10	9	8	7	5	4	3

I-Beam Width	(in)	11 1/8	12	12 1/4	12 1/2	12 3/4	13	13 1/4	13 1/2	13 3/4	14	14 1/4	14 1/2	14 3/4	15	15 1/4	15 1/2	15 3/4	16	16 1/4	16 1/2	16 3/4	17		
		16 1/8	16 1/4	16 1/2	16 3/4	17 1/8	17 1/4	17 1/2	17 3/4	18 1/8	18 1/4	18 1/2	18 3/4	19 1/8	19 1/4	19 1/2	19 3/4	20 1/8	20 1/4	20 1/2	20 3/4	21 1/8	21 1/4	21 1/2	21 3/4
Cap.	(mm)	302	305	311	318	324	330	337	343	350	356	362	368	375	381	387	394	400	406	413	419	426	432		
NTH010	Inner	7+7	7+8	8+9	9+10	10+11	11+12	4+4	5+5	6+7	7+8	8+9	9+10	10+11	11+12										
	Outer	10	9	7	5	3	1	16	14	11	9	7	5	3	1										
NTH020	Inner	9+9	1+2	2+3	3+4	4+5	5+6	6+7	7+8	8+9	1+2	2+3	3+4	4+5	5+6	6+7	7+8	8+9							
	Outer	0	15	13	11	9	7	5	3	1	15	13	11	9	7	5	3	1							
NTH030	Inner	9+10	10+10	11+11	4+4	5+5	6+6	7+7	8+8	9+9	10+10	11+11	4+4	5+5	6+6	7+7	8+8	9+9	10+10	11+11					
	Outer	3	2	0	14	12	10	8	6	4	2	0	14	12	10	8	6	4	2	0					

3.2 Chain

- 3.2.1 **⚠️WARNING** Verify that the load chain is not twisted or tangled prior to operating the hoist. Make sure the bottom hook on the 2 (NTH020) through the 3 (NTH030) tonne multiple fall hoists is not capsized. See Figures 3-1 and 3-2. Correct all chain irregularities before conducting the first hoist operation.



3.3 Attachment Points & Mounting Location

3.3.1 **⚠ WARNING** Prior to attaching the hoist ensure that all attachment points, suspension components and supporting structure are adequate to support the hoist and its load. Prior to mounting the trolley (and hoist) ensure that the trolley beam and its supporting structure are adequate to support the trolley, hoist and its loads. If necessary consult a professional that is qualified to evaluate the adequacy of the suspension location and its supporting structure.

3.3.2 **NOTICE** See Section 6.6 for outdoor installation considerations.

3.4 Installation of Trolley onto Beam

3.4.1 Assemble and adjust the trolley before attempting to install the trolley on the beam.

3.4.2 Preferred Method – Sliding the trolley connected with an electric chain hoist onto the traversing beam from the beam end is the most convenient and recommended method. If the trolley can be mounted from the end of the beam then: Remove the trolley end-stop from the beam and set the trolley on the beam from the end. Securely re-install the trolley end stop on the beam.

3.4.3 Optional Method for Trolleys – If the trolley cannot be mounted from the end of the beam, complete the installation as follows:

- 1) Remove the Shaft Stopper Pin from Suspension Shaft (See Figure 3-1).
- 2) If possible remove the outside Adjusting spacers and Reinsert the Shaft Stopper Pin. Spread the trolley side plates apart.
- 3) Lift the trolley onto the beam so that Side Plate A rests on the beam's flange.
- 4) Hold Side Plate A securely so that it does not come off the beam then push the side plates together so that all four wheels rest on the beam's flange.
- 5) Replace the Outside Adjusting Spacers and the Shaft Stopper Pin. Insert Split Pin, Bend the Split Pin securely.

3.5 Preoperational Checks and Trial Operation

- 3.5.1 **⚠️WARNING** Confirm the adequacy of the rated capacity for all slings, chains, wire ropes and all other lifting attachments before use. Inspect all load suspension members for damage prior to use and replace or repair all damaged parts.
- 3.5.2 **⚠️WARNING** Verify and correct all chain irregularities prior to operating the hoist. Refer to Section 3.1.
- 3.5.3 Measure and record the “k” dimension of all hooks on hoist. See Table 5-4 under Section 5, “Inspection”.
- 3.5.4 Record the trolley-hoist's Code, Lot and Serial Number (from the name plate on the hoist; see Section 9) in the space provided on the cover of this manual.
- 3.5.5 Ensure that the hoist is properly installed to the trolley, the trolley is properly installed on the beam, and stops for the trolley are correctly positioned and securely installed on the beam.
- 3.5.6 Ensure that all nuts, bolts and split pins (cotter pins) are sufficiently fastened.
- 3.5.7 Confirm proper operation.
- Before operating read and become familiar with Section 4 - Operation.
 - Before operating ensure that the hoist meets the Inspection, Testing and Maintenance requirements of ANSI/ASME B30.16.
 - Before operating ensure that nothing will interfere with the full range of the trolley's and the hoist's operation.
- 3.5.8 Proceed with trial operation to confirm proper operation.
- Operate the trolley through it's full range of motion. Make sure the trolley runs smoothly and does not bind.
 - Perform inspections per Section 5.3, “Frequent Inspections”.

4.0 Operation

4.1 Introduction

DANGER

DO NOT WALK UNDER A SUSPENDED LOAD

WARNING

HOIST OPERATORS SHALL BE REQUIRED TO READ THE OPERATION SECTION OF THIS MANUAL, THE WARNINGS CONTAINED IN THIS MANUAL, INSTRUCTION AND WARNING LABELS ON THE HOIST OR LIFTING SYSTEM, AND THE OPERATION SECTIONS OF ANSI/ASME B30.16 and ANSI/ASME B30.10. THE OPERATOR SHALL ALSO BE REQUIRED TO BE FAMILIAR WITH THE HOIST AND HOIST CONTROLS BEFORE BEING AUTHORIZED TO OPERATE THE HOIST OR LIFTING SYSTEM.

HOIST OPERATORS SHOULD BE TRAINED IN PROPER RIGGING PROCEDURES FOR THE ATTACHMENT OF LOADS TO THE HOIST HOOK.

HOIST OPERATORS SHOULD BE TRAINED TO BE AWARE OF POTENTIAL MALFUNCTIONS OF THE EQUIPMENT THAT REQUIRE ADJUSTMENT OR REPAIR, AND TO BE INSTRUCTED TO STOP OPERATION IF SUCH MALFUNCTIONS OCCUR, AND TO IMMEDIATELY ADVISE THEIR SUPERVISOR SO CORRECTIVE ACTION CAN BE TAKEN.

HOIST OPERATORS SHOULD HAVE NORMAL DEPTH PERCEPTION, FIELD OF VISION, REACTION TIME, MANUAL DEXTERITY, AND COORDINATION.

HOIST OPERATORS SHOULD **NOT** HAVE A HISTORY OF OR BE PRONE TO SEIZURES, LOSS OF PHYSICAL CONTROL, PHYSICAL DEFECTS, OR EMOTIONAL INSTABILITY THAT COULD RESULT IN ACTIONS OF THE OPERATOR BEING A HAZARD TO THE OPERATOR OR TO OTHERS.

HOIST OPERATORS SHOULD **NOT** OPERATE A HOIST OR LIFTING SYSTEM WHEN UNDER THE INFLUENCE OF ALCOHOL, DRUGS, OR MEDICATION.

NOTICE

- Read ANSI/ASME B30.16 and ANSI/ASME B30.10.
- Read the hoist manufacturer's Operating and Maintenance Instructions.
- Read all labels attached to equipment.

The operation of a hoist involves more than activating the hoist's controls. Per the ANSI/ASME B30 standards, the use of a hoist is subject to certain hazards that cannot be mitigated by engineered features, but only by the exercise of intelligence, care, common sense, and experience in anticipating the effects and results of activating the hoist's controls. Use this guidance in conjunction with other warnings, cautions, and notices in this manual to govern the operation and use of your hoist.

4.2 Shall's and Shall Not's for Operation

WARNING

Improper operation of a hoist can create a potentially hazardous situation which, if not avoided, could result in death or serious injury, and substantial property damage. To avoid such a potentially hazardous situation **THE OPERATOR SHALL:**

- **NOT** lift more than rated load for the hoist.
- **NOT** use damaged hoist or hoist that is not working properly.
- **NOT** use hoist with twisted, kinked, damaged, or worn chain.
- **NOT** use hoist if the bottom hook is capsized (multiple fall hoists - see Section 3.1).
- **NOT** use the hoist to lift, support, or transport people.
- **NOT** lift loads over people.
- **NOT** apply load unless load chain is properly seated in the load sheave (and idle sheave for hoist with multiple chain falls).
- **NOT** use the hoist in such a way that could result in shock or impact loads being applied to the hoist.
- **NOT** attempt to lengthen the load chain or repair damaged load chain.
- **NOT** operate hoist when it is restricted from forming a straight line from hook to hook in the direction of loading.
- **NOT** use load chain as a sling or wrap load chain around load.
- **NOT** apply load if binding prevents equal loading on all load-supporting chains.
- **NOT** operate beyond the limits of the load chain travel.
- **NOT** support load on hook tip unless hook is designed for tip loading.
- **NOT** use in a way that causes either hook to be side-loaded.
- **NOT** leave load supported by the hoist unattended unless specific precautions have been taken.
- **NOT** allow the chain, or hook to be used as an electrical or welding ground.
- **NOT** allow the chain, or hook to be touched by a live welding electrode.
- **NOT** remove or obscure the warnings on the hoist.
- **NOT** operate a hoist on which the safety placards or decals are missing or illegible.
- Be familiar with operating controls, procedures, and warnings.
- Make sure the unit is securely attached to a suitable support before applying load.
- Make sure load slings or other approved single attachments are properly sized, rigged, and seated in the hook saddle.
- Take up slack carefully - make sure load is balanced and load-holding action is secure before continuing.
- Make sure all persons stay clear of the supported load.
- Protect the hoist's load chain from weld spatter or other damaging contaminants.
- Report Malfunctions or unusual performances (including unusual noises) of the hoist and remove the hoist from service until the malfunction or unusual performance is resolved.
- Warn personnel before lifting or moving a load.
- Warn personnel of an approaching load.

CAUTION

Improper operation of a hoist can create a potentially hazardous situation which, if not avoided, could result in minor or moderate injury, or property damage. To avoid such a potentially hazardous situation **THE OPERATOR SHALL:**


- Maintain a firm footing or be otherwise secured when operating the hoist.
- Check brake function by tensioning the hoist prior to each lift operation.
- Use hook latches. Latches are to retain slings, chains, etc. under slack conditions only.
- Make sure the hook latches are closed and not supporting any parts of the load.
- Make sure the load is free to move and will clear all obstructions.
- Avoid swinging the load or hook.
- Make sure hook travel is in the same direction as shown on controls.
- Inspect the hoist regularly, replace damaged or worn parts, and keep appropriate records of maintenance.
- Use the hoist manufacturer's recommended parts when repairing the unit.
- Lubricate load chain per hoist manufacturer's recommendations.
- **NOT** use the hoist load limiting or warning device to measure load.
- **NOT** allow your attention to be diverted from operating the hoist.
- **NOT** allow the hoist to be subjected to sharp contact with other hoists, structures, or objects through misuse.
- **NOT** adjust or repair the hoist unless qualified to perform such adjustments or repair.

4.3 Hoist Operation

- 1) Face the hand chain wheel side of the hoist.
- 2) To raise the load, pull hand chain clockwise.
- 3) To lower the load, pull hand chain counterclockwise.

NOTE: The clicking sound of the pawl when a load is being raised indicates normal operation.

4.4 Trolley Operation

- 1) For Plain Trolley, movement is controlled by pushing/pulling on the load or the hook of the attached hoist.
- 2) For Geared Trolley, when facing Trolley Hand Wheel:
 - Pull down on the right side of Hand Chain (Clockwise Rotation) to move the Trolley left.
 - Pull down on the left side of Hand Chain (Counterclockwise Rotation) to move the Trolley right.
- 3)  **CAUTION** Avoid collisions with the end stops or other Trolleys. Damage may result.

5.0 Inspection

5.1 General

- 5.1.1 The inspection procedure herein is based on ANSI/ASME B30.16. The following definitions are from ANSI/ASME B30.16 and pertain to the inspection procedure below.
- **Designated Person** – a person selected or assigned as being competent to perform the specific duties to which he/she is assigned.
 - **Qualified Person** – a person who, by possession of a recognized degree or certificate of professional standing, or who, by extensive knowledge, training, and experience, has successfully demonstrated the ability to solve or resolve problems relating to the subject matter and work.
 - **Normal Service** – that distributed service which involves operation with randomly distributed loads within the rated load limit, or uniform loads less than 65% of rated load for not more than 15% of the time.
 - **Heavy Service** – that service which involves operation within the rated load limit which exceeds normal service.
 - **Severe Service** – that service which involves normal or heavy service with abnormal operating conditions.

5.2 Inspection Classification

- 5.2.1 Initial Inspection – prior to initial use, all new, altered, or modified hoists shall be inspected by a designated person to ensure compliance with the applicable provisions of this manual.
- 5.2.2 Inspection Classification – the inspection procedure for hoists in regular service is divided into two general classifications based upon the intervals at which inspection should be performed. The intervals in turn are dependent upon the nature of the critical components of the hoist and the degree of their exposure to wear, deterioration, or malfunction. The two general classifications are herein designated as FREQUENT and PERIODIC, with respective intervals between inspections as defined below.
- 5.2.3 FREQUENT Inspection – visual examinations by the operator or other designated personnel with intervals per the following criteria:
- Normal service – monthly
 - Heavy service – weekly to monthly
 - Severe service – daily to weekly
 - Special or infrequent service – as recommended by a qualified person before and after each occurrence.
- 5.2.4 PERIODIC Inspection – visual inspection by a designated person with intervals per the following criteria:
- Normal service – yearly
 - Heavy service – semiannually
 - Severe service – quarterly
 - Special or infrequent service – as recommended by a qualified person before the first such occurrence and as directed by the qualified person for any subsequent occurrences.

5.3 Frequent Inspection

5.3.1 Inspections should be made on a FREQUENT basis in accordance with Table 5-1, "Frequent Inspection." Included in these FREQUENT Inspections are observations made during operation for any defects or damage that might appear between Periodic Inspections. Evaluation and resolution of the results of FREQUENT Inspections shall be made by a designated person such that the hoist is maintained in safe working condition.

Table 5-1 Frequent Inspection
All functional operating mechanisms for proper operation and adjustment, maladjustment and unusual sounds.
Hoist braking system for proper operation
Hooks and latches in accordance with ANSI/ASME B30.10
Hook latch operation
Load chain in accordance with Section 5.7
Load chain reeving for compliance with Section 3.1 and 6.4
Hoist support for damage
Connection points between Hoist and Trolley in accordance with ANSI/ASME B30.16

5.4 Periodic Inspection

5.4.1 Inspections should be made on a PERIODIC basis in accordance with Table 5-2, "Periodic Inspection." Evaluation and resolution of the results of PERIODIC Inspections shall be made by a designated person such that the hoist is maintained in safe working condition.

5.4.2 For inspections where load suspension parts of the hoist are disassembled, a load test per ANSI/ASME B30.16 must be performed on the hoist after it is re-assembled and prior to its return to service.

Table 5-2 Periodic Inspection
Requirements of frequent inspection.
Evidence of loose bolts, nuts, pins, or rivets.
Evidence of worn, corroded, cracked, or distorted parts such as load blocks, suspension housing, chain attachments, clevises, yokes, suspension bolts, shafts, gears, bearings, pins, rollers, locking and clamping devices, wheels, and bumpers.
Evidence of damage to hook retaining nuts or collars and pins, and welds or rivets used to secure the retaining members.
Evidence of damage or excessive wear of load and idler sheaves.
Evidence of worn, glazed or oil contaminated friction disks; worn pawls, cams or ratchet; corroded, stretched, or broken pawl springs in brake mechanism.
Evidence of damage to supporting structure.
Function label on hoist for legibility.
Warning label properly attached to the hoist and legible (see Section 1.2).
End connection of load chain.

5.5 Occasionally Used Hoists

5.5.1 Trolley-hoists that are used infrequently shall be inspected as follows prior to placing in service:

- Trolley-hoist Idle More Than 1 Month, Less Than 1 Year: Inspect per FREQUENT Inspection criteria in Section 5.3.
- Trolley-hoist Idle More Than 1 Year: Inspect per PERIODIC Inspection criteria in Section 5.4.

5.6 Inspection Records

5.6.1 Dated inspection reports and records should be maintained at time intervals corresponding to those that apply for the trolley-hoist's PERIODIC interval per Section 5.2.4. These records should be stored where they are available to personnel involved with the inspection, maintenance, or operation of the hoist.

5.6.2 A long range chain inspection program should be established and should include records of examination of chains removed from service so a relationship can be established between visual observation and actual condition of the chain.

5.7 Inspection Methods and Criteria

5.7.1 This section covers the inspection of specific items. The list of items in this section is based on those listed in ANSI/ASME B30.16 for the Frequent and Periodic Inspection.

5.7.2 Frequent Inspection - Not intended to involve disassembly of the hoist. Disassembly for further inspection would be required if only if frequent inspection results so indicate. Disassembly and further inspection should only be performed by a qualified person trained in the disassembly and re-assembly of the hoist.

5.7.3 Periodic Inspection - Disassembly of the hoist is required. Disassembly should only be performed by a qualified person trained in the disassembly and re-assembly of the hoist.

5.7.4 In accordance with ANSI/ASME B30.16, these inspections are not intended to involve disassembly of the trolley. Rather, disassembly for further inspection would be required if frequent or periodic inspection results so indicate. Such disassembly and further inspection should only be performed by a qualified person trained in the disassembly and re-assembly of the trolley.

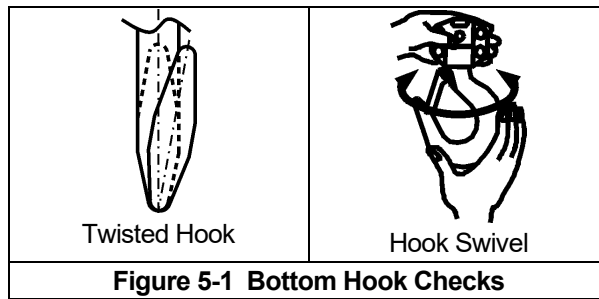
Table 5-3 Hoist Inspection Methods and Criteria

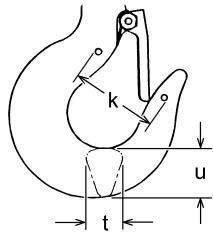
Item	Method	Discard Limit/Criteria	Action
Functional operating mechanisms.	Visual, Auditory	Mechanisms should be properly adjusted and should not produce unusual sounds when operated. Components should not be deformed, scarred, or show significant wear. Refer to Figures 5-2, 5-3 and 5-4.	Repair or replace as required.
Hook – Stretch	Measure	The "k" dimension should not be greater than 1.05 times that measured and recorded at the time of purchase (See Section 3.4). If recorded "k" values are not available for hooks when new, use nominal "k" values from Table 5-4.	Replace.
Hook – Fretting wear	Measure	The "u" and "t" dimensions should not be less than discard value listed in Table 5-4.	Replace.
Hook – Surface Condition	Visual	Should be free of gouges, deep nicks, dents, weld splatter, and significant corrosion.	Replace.
Hook – Deformation	Visual	Should be free of twists and deformations. See Figure 5-1.	Replace.
Hook – Bent Shank or Neck	Visual	Shank and neck portions of hook should be free of deformations.	Replace.

Table 5-3 Hoist Inspection Methods and Criteria			
Item	Method	Discard Limit/Criteria	Action
Hook – Swivel	Visual, Function	Bearing parts and surfaces should not show significant wear, and should be free of dirt, grime, and deformations. Hook should rotate freely with no roughness. See Figure 5-1.	Clean/lubricate, or replace as required.
Hook – Yoke Assembly	Visual	Should be free of significant rust, weld splatter, nicks, and gouges. Holes should not be elongated, fasteners should not be loose, and there should be no gap between mating parts.	Tighten or replace as required.
Hook – Idle Sheave and Shaft (Multiple Fall Hoist)	Visual, Function	Pockets of Idle Sheave should be free of significant wear. Idle Sheave surfaces should be free of nicks, gouges, dirt, and grime. Bearing parts and surfaces of Idle Sheave and Axle should not show significant wear. Idle Sheave should rotate freely with no roughness or significant free play.	Clean/lubricate, or replace as required.
Hook – Hook Latches	Visual, Function	Latch should not be deformed. Attachment of latch to hook should not be loose. Latch spring should not be missing and should not be weak. Latch movement should not be stiff - when depressed and released latch should snap smartly to its closed position.	Replace.
Yoke – Top Pin Hole Deformation	Visual, Measure	The "d" dimension of the top pin hole should not be greater than the discard value listed in Table 5-5.	Replace Hook Set
Top Pin – Deformation	Visual, Measure	The pin should be free of scars or significant deformation. The "d" dimension should not be less than discard value listed in Table 5-6.	Replace
Yoke – Chain Pin Hole Deformation	Measure	The "d" dimension of the chain pin hole should not be greater than the discard value listed in Table 5-5.	Replace Hook Set or yoke.
Chain Pin – Deformation	Visual, Measure	The pin should be free of scars or significant deformation. The "d" dimension should not be less than discard value listed in Table 5-7.	Replace
Load Chain – Pitch and Wire Diameter	Measure	The "P" dimension should not be greater than discard value listed in Table 5-5. The "d" dimension should not be less than discard value listed in Table 5-8.	Replace. Inspect Load Sheave (and Idle Sheave for multiple fall hoists).
Load Chain – Surface Condition	Visual	Should be free of gouges, nicks, dents, weld splatter, and corrosion. Links should not be deformed, and should not show signs of abrasion. Surfaces where links bear on one another should be free of significant wear.	Replace.
Load Chain – Lubrication	Visual, Auditory	Entire surface of each chain link should be coated with lubricant and should be free of dirt and grime. Chain should not emit cracking noise when hoisting a load.	Clean/lubricate (see Section 6.0).

Table 5-3 Hoist Inspection Methods and Criteria			
Item	Method	Discard Limit/Criteria	Action
Load Chain – Reeving	Visual	Chain should be reeved properly through Load Sheave. On multiple fall hoists chain should be installed properly and free of twists. Refer to Section 3.2.	Reeve/Install chain properly.
Lifting System – Components	Visual, Function	Components should not be deformed, scarred, or show significant wear.	Replace.
Braking System – Components	Visual	Brake Pawl, Pawl Pin, and Pawl Spring should not be deformed, scarred, or show significant wear. Refer to Figure 5-2 (27, 24, & 26).	Replace.
Brake – Damage to Brake Surface	Visual	Damage due to scratching or gouging by foreign matter. Refer to Figure 5-2 (32, 30, & 33).	Replace.
Braking System – Friction Disc	Visual	The surface of the friction plate should be free of scars, gouges, and wear. Refer to Figure 5-2 (29).	Replace.
Braking System – Friction Plate	Visual, Measure	The surface of the friction plate should be free of grease, oil, scars, gouges and wear and have uniform thickness. The outer thickness should not be thinner than the inner thickness. The thickness should not be less than the discard value listed in Table 5-9.	Replace.
Braking System – Bushing	Measure	The bushing should have uniform thickness. The “t” dimension should not be less than the discard value listed in Table 5-10.	Replace.
Braking System – Bushing	Visual	When slightly heated, the bushing should be so lubricated that lubricant oozes off the surface. Refer to Figure 5-2 (31). Type of oil to be used: ISO VG68 or equivalent.	Soak bushing in machine oil for one day.
Braking System – Ratchet Disc	Measure	The “D” dimension should not be less than the discard value listed in Table 5-11. Refer to Figure 5-2 (30).	Replace.
Load Sheave	Visual	Pockets of Load Sheave should be clean and free of significant wear. Refer to Figure 5-3 (18).	Replace.
Load Gear	Visual	Teeth have excessive wear or damage. Refer to Figure 5-4 (19).	Replace.
Hand Wheel	Visual	Large wear or deformation on the surface of hand wheel. The hand wheel touches the cover.	Replace.
Housing and Mechanical Components	Visual, Auditory, Function	Trolley-hoist components including suspension shafts, track wheels, track wheel axles, load blocks, suspension housing, chain attachments, clevises, yokes, suspension bolts, shafts, gears, bearings, stripper, pins, rollers, and bumpers should be free of cracks, distortion, significant wear, and corrosion. Evidence of same can be detected visually or via detection of unusual sounds during operation.	Replace.
Chain Guide	Visual	Excessive wear or press mark.	Replace.

Item	Method	Discard Limit/Criteria	Action
Bolts, Nuts and Rivets	Visual, Check with Proper Tool	Bolts, nuts, snap rings, split pins, and rivets should not be loose, deformed, or corroded.	Tighten or replace as required.
Side Plates	Visual	Must be free of significant deformation	Replace.
Track Wheel - Tread	Visual, Measure	Diameter of the inside and outside tread surface should not be less than the discard value shown in Table 5-12.	Replace.
Track Wheel - Gear	Visual	Teeth should not be cracked, damaged, or excessively worn.	Replace.
Suspension Shaft	Visual, Measure	Suspension shaft should not be bent. Diameter should not be worn by 10% or more.	Replace.
Warning Labels	Visual	Warning Labels should be affixed to the hoist (see Section 1.2) and they should be legible.	Replace.
Trolley-Hoist Capacity Label	Visual	The label that indicates the capacity of the hoist should be legible and securely attached to the hoist.	Replace.



<p>"k" Measured When New: Bottom: _____</p> 					
Product Code	Nominal "k" Dimension* inch (mm)	"u" Dimension inch (mm)		"t" Dimension inch (mm)	
		Standard	Discard	Standard	Discard
NTH010	1.92 (48.8)	0.86 (21.8)	0.79 (20.0)	0.63 (16.0)	0.57 (14.4)
NTH020	2.36 (59.9)	1.18 (30.0)	1.06 (27.0)	0.87 (22.0)	0.78 (19.8)
NTH030	2.72 (69.1)	1.48 (37.5)	1.34 (34.0)	1.06 (27.0)	0.96 (24.3)

* These values are nominal since the dimension is not controlled to a tolerance. The "k" dimension should be measured when the hook is new - this becomes a reference measurement. Subsequent measurements are compared to this reference to make determinations about hook deformation/stretch. See Section 5.7, "Hooks - Stretch".

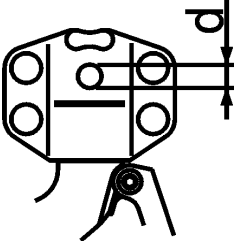
Table 5-5 Chain Pin Hole and Top Pin Hole Wear Dimensions				
				
Product Code	Hole Diameter (d)			
	Chain Pin Hole inch (mm)		Top Pin Hole inch (mm)	
	Standard	Discard	Standard	Discard
NTH010, NTH020	0.319 (8.1)	0.339 (8.6)	0.480 (12.2)	0.500 (12.7)
NTH030	0.350 (8.9)	0.370 (9.4)	0.638 (16.2)	0.658 (16.7)


Table 5-6 Body Top Pin Wear Dimensions		
		
Product Code	"d" Dimension inch (mm)	
	Standard	Discard
NTH010, NTH020	0.472 (12)	0.433 (11)
CF030	0.630 (16)	0.591 (15)

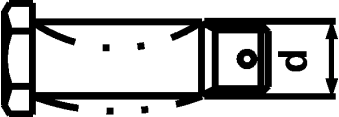
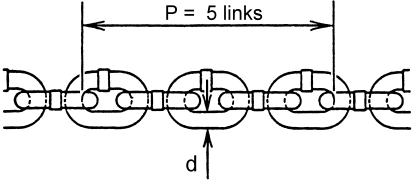
Table 5-7 Chain Pin Wear Dimensions		
		
Product Code	"d" Dimension inch (mm)	
	Standard	Discard
NTH010, NTH020	0.311 (7.9)	0.295 (7.5)
NTH030	0.343 (8.7)	0.327 (8.3)

Table 5-8 Chain Wear Dimensions				
				
Product Code	"P" Dimension inch (mm)		"d" Dimension inch (mm)	
	Standard	Discard	Standard	Discard
NTH010, NTH020	3.76 (95.5)	3.85 (97.9)	0.25 (6.3)	0.22 (5.7)
NTH030	4.18 (106.2)	4.29 (108.9)	0.28 (7.1)	0.26 (6.5)

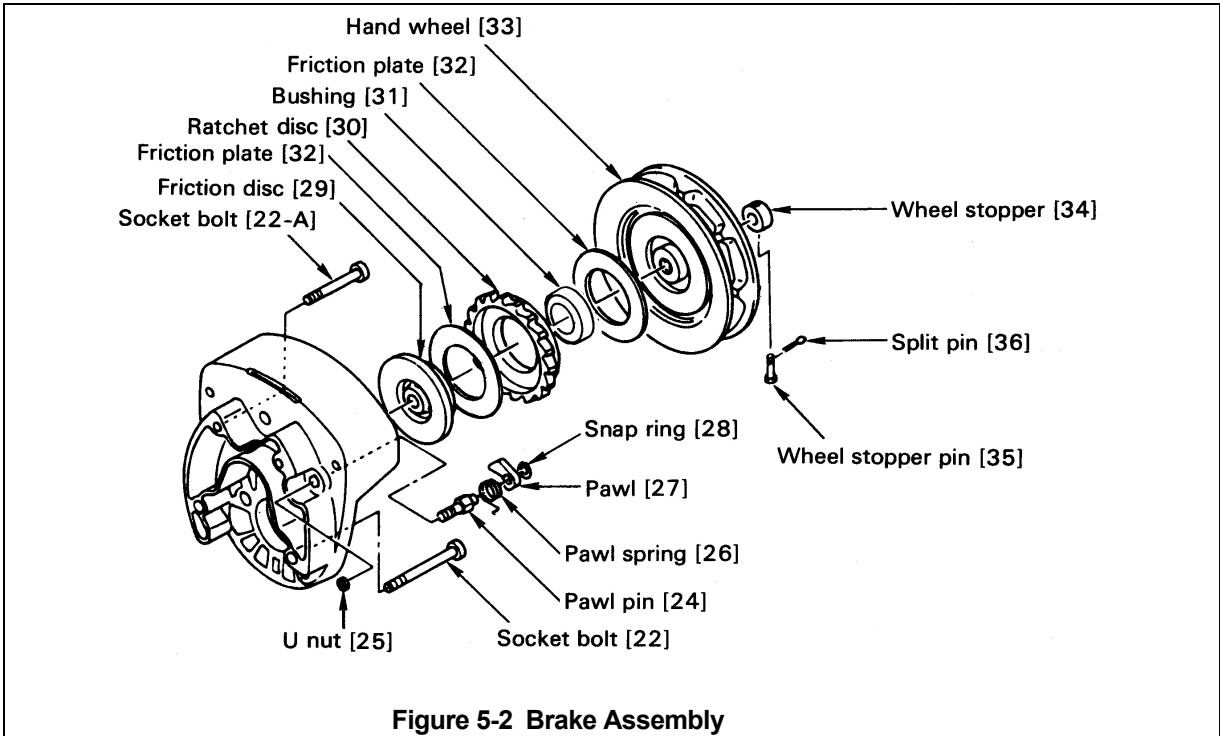


Table 5-9 Friction Plate Wear Dimensions

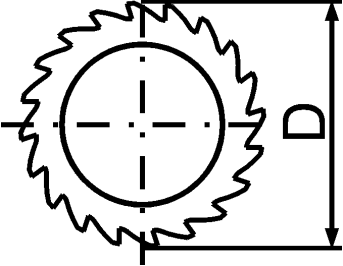
Product Code	Thickness inch (mm)	
	Standard	Discard
All	0.118 (3.0)	0.098 (2.5)

Table 5-10 Brake Bushing Wear Dimensions

Bushing [31]
t: Radial thickness

Product Code	A Dimension inch (mm)	
	Standard	Discard
CF010, CF020, CF030	0.157 (4.0)	0.118 (3.0)

Table 5-11 Brake Ratchet Disc Wear Dimensions

		
Product Code	D Dimension inch (mm)	
	Standard	Discard
CF010, CF020, CF030	3.858 (98)	3.740 (95)

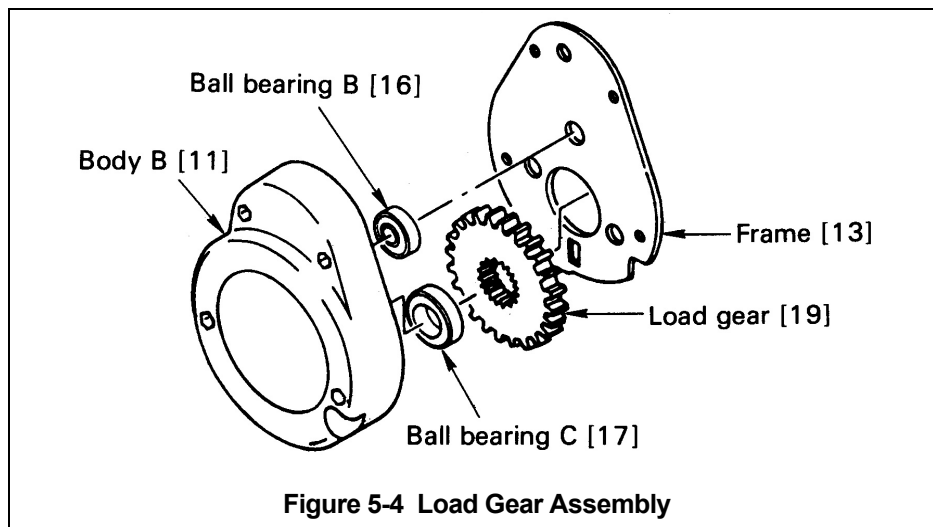
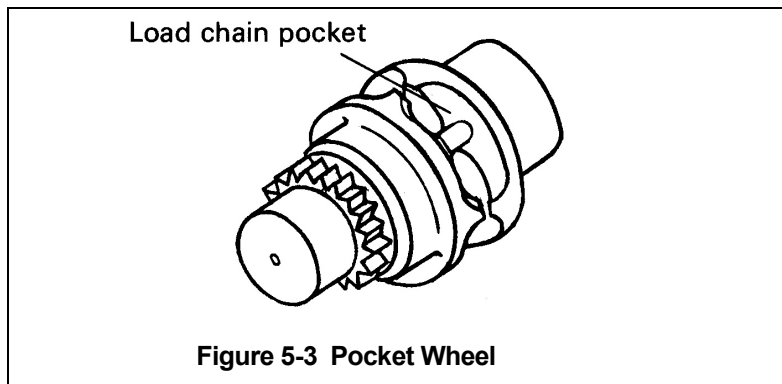
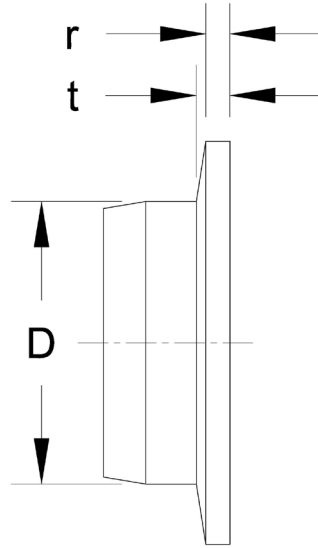


Table 5-12 Track Wheel Wear Dimensions



Note: Track wheels are for flat and tapered flanges.

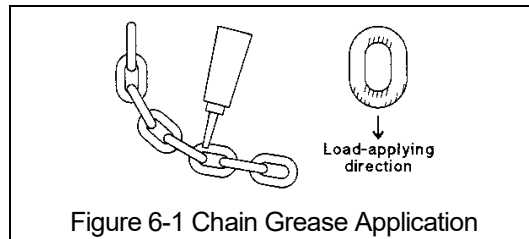
Capacity Tonne	"D" Dimension inch (mm)		"t" Dimension inch (mm)		"r" Dimension inch (mm)	
	Standard	Discard	Standard	Discard	Standard	Discard
1	2.80 (71)	2.74 (69.5)	0.374 (9.5)	0.264 (6.7)	0.224 (5.7)	0.158 (4.0)
2	3.35 (85)	3.29 (83.5)	0.413 (10.5)	0.291 (7.4)	0.232 (5.9)	0.161 (4.1)
3	3.94 (100)	3.88 (98.5)	0.453 (11.5)	0.319 (8.1)	0.260 (6.6)	0.181 (4.6)

6.0 Maintenance and Handling

6.1 Lubrication

6.1.1 Load Chain

- For longer life, the load chain should be lubricated.
- The load chain lubrication should be accomplished after cleaning the load chain with an acid free cleaning solution.
- Apply KITO lubricating grease (Part No. ER2CS1951) or an equivalent to industrial general lithium grease, NLGI No. 0, to the bearing surfaces of the load chain links as indicated by the shaded areas in Figure 6-1. Also apply the grease to the areas of the load chain (shaded areas in Figure 6-1) that contact the load sheave. Ensure that the grease is applied to the contact areas in the load sheave pockets.
- Machine or gear oil (grade ISO VG 46 or 68 oil or equivalent) may be used as an alternative lubricant but must be applied more frequently.



- The chain should be lubricated every 3 months (more frequently for heavier usage or severe conditions).
- For dusty environments, it is acceptable to substitute a dry lubricant.

6.1.2 Hooks and Suspension Components:

- Hooks – Bearings should be cleaned and lubricated at least once per year for normal usage. Clean and lubricate more frequently for heavier usage or severe conditions.
- Suspension Pins - Lubricate the chain pin and the top pin at least twice per year for normal usage; more frequently for heavier usage or severe conditions.

6.1.3 Applying Grease to Hoist Gears:

- Remove body B as instructed in Section 6.3.
- Remove old grease and replace the new grease (NLGI No. 2), at annual inspection.
- Temperature range of standard grease is -20°C (-4°F) to + 60°C (140°F). If the hoist is used at temperatures below -20°C (-4°F) or above 60°C (140°F), consult the manufacturer or dealer since some parts should be changed.

Table 6-1 General Lubrication			
Parts to be Lubricated	Name of Oil	Amount of Lubrication and Lubricating Method	Frequency of Lubrication
Mechanical Brake Parts: Ratchet Disc, Pawl Pin, Screw parts of Pinion	Machine or Gear Oil	Wipe off oil with waste cloth after applying proper amount of oil.	When the hand pull becomes extremely heavy in lowering operations.

6.1.4 Trolley:

- Lubricate the following trolley components with NLGI (National Lubricating Grease Institute) #2 or equivalent grease.
- Track Wheel Gear – Clean and re-grease the Track Wheel gears and Hand Wheel output pinion every three months (more frequently for heavier usage or severe conditions). Do not use an excessive amount of grease and avoid getting any grease on the running surfaces of the Track Wheels or the beam.
- Trolley Wheel Bearings do not need to be lubricated and must be replaced if worn or damaged.
- Suspension Pins, Bolts and Shafts – Grease at least twice per year for normal usage (more frequently for heavier usage or severe conditions).

6.2 Disassembly, Assembly and Adjustment

6.2.1

NOTICE

- 1) Perform proper disassembly or assembly in accordance with this manual.
- 2) The hoist utilizes dry friction plates; they are not to be lubricated.
- 3) Do not extend the load chain.
- 4) Remove old grease on the disassembled parts.
- 5) Replace components with KITO approved parts.
- 6) To reassemble, apply new grease, and use a new split pin and snap ring.

6.2.2 Tools – The following tools are required to disassemble/reassemble the hoist.

No.	Tool	Operation
1	Snap ring pliers	Opening a snap ring
2	Metric socket wrenches	Slotted nuts
3	Metric hex keys (Allen wrenches)	Socket head cap screws
4	Metric wrenches	Bolts and nuts
5	Phillips screwdriver	Machine screws
6	Pliers (Needle Nose)	Split pins
7	Soft-face (Dead blow) hammer	
8	Wooden Blocks	Elevate hoist

6.3 Hoist Disassembly

Proceed as follows (**Note: Figures in brackets are Figure Numbers in Parts List**):

- 1) Orient a hoist with wheel cover side up.
- 2) Unscrew three screws [38] (with spring washers [39]) that attach the wheel cover [37].
- 3) Remove the wheel cover [37] from the body A [10].
- 4) Insert a vertical link of the hand chain [43] into the notch of the hand wheel [33] and remove the hand chain by turning the hand wheel counterclockwise.

NOTE: Bring the notch of the hand wheel to the right hand side.

- 5) Pull out split pin [36] from the wheel stopper pin [35] and remove the wheel stopper pin and wheel stopper [34] from the pinion [14].
- 6) Remove the hand wheel [33] from the pinion [14] by turning the hand wheel counterclockwise.
NOTE: If the hand wheel is too tight to turn by hand, put hand chain on the hand wheel again and pull it down hard. It will release the brake.
- 7) Remove two friction plates [32], ratchet disc [30] and bushing [31] from the friction disc [29].
- 8) Remove the friction disc [29] from the pinion [14] by turning counterclockwise holding the end of the pinion with your fingers.
- 9) Remove snap ring [28] from the pawl pin [24] (on the body A [10]) and then remove pawl [27] and pawl spring [26].
- 10) Unscrew the pawl pin [24].
NOTE: The pawl pin is fixed with the U nut [25].
- 11) Unscrew four socket bolts [22, 22-A] connecting body A [10] and B [11].
NOTE: Four socket bolts are fixed with U nuts [23] on the body B side.
- 12) Separate the body A [10] and B [11].
- 13) Take ball bearing A [15] and C [17-A] out of the body A [10] (only if bearing needs replaced).
- 14) Remove the suspender and top pin [3] from the body B [11].
- 15) Remove pinion [14], chain guide [20] (or guide rollers [20-A]), stripper [21], tail pin [40], and load chain [42].
- 16) Remove the frame [13].
- 17) Take load sheave [18] out of the load gear [19].
- 18) Remove the load gear [19].
- 19) Unscrew tap socket bolt [41] from the body B [11].
- 20) Pull split pin [9] out of the slotted nut [8] and remove the slotted nut and chain pin [7] from the bottom hook [4].

6.4 Hoist Assembly

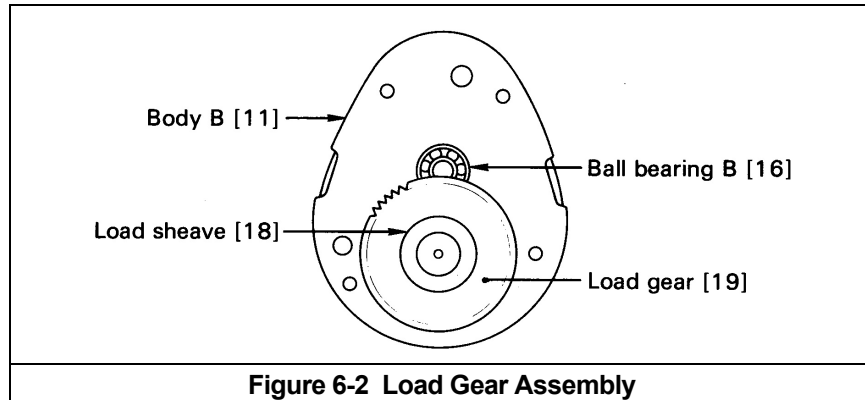
6.4.1

⚠ WARNING

- Inspect and replace any worn or damaged parts per Table 5-3.
- Secure all nuts, bolts and split pins firmly.
- Replace all split pins and retaining rings.

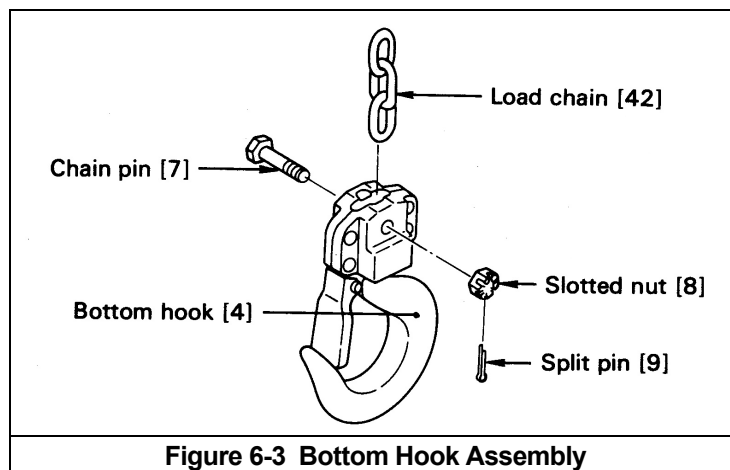
6.4.2 Assembly

- 1) Wipe off old grease from the body B [11] and frame [13].
- 2) Apply new grease to the ball bearing B [16] and C [17] on the body B [11].
- 3) Insert load sheave [18] into the load gear [19] and put them together on the ball bearing C [17].



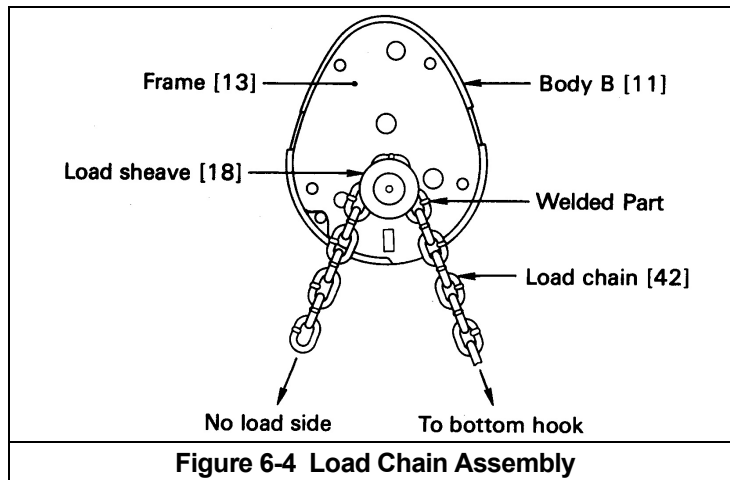
- 4) Apply new grease to the load gear [19].
- 5) Put frame [13] on the body B [11] according to pattern.
- 6) Insert the end of the load chain [42] to the bottom hook [4] and fix them with the chain pin [7], slotted nut [8] and split pin [9].

⚠ WARNING : Always bend the split pin securely.



- 7) Place the load chain [42] on the load sheave [18] so that the bottom hook side comes to right hand and the end link of the other side becomes vertical to the load sheave pocket.

⚠ WARNING : Put the welded part of the vertical chain link outward.



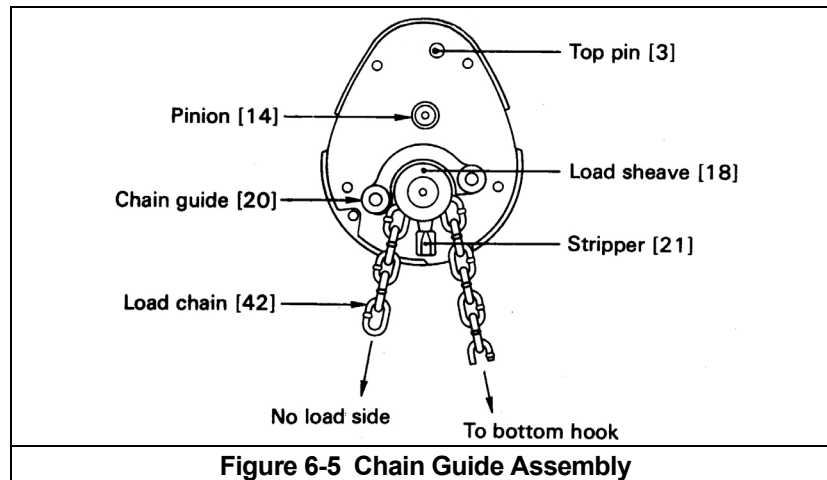
8) Put chain guide [20] (or guide rollers for ½ ton [20-A]) on the frame [13].

⚠ WARNING : Fit the larger boss of chain guide [20] into holes on frame [13].

9) Put stripper [21] on the frame [13].

10) Insert pinion [14] shaft from its gear side through the frame [13] and into ball bearing B [16].

11) Insert top pin [3] into the frame [13] and put suspender to the top pin.



12) Clean and grease ball bearing A [15] and D [17-A] and insert into body A [10] (if being replaced).

13) Put the body A [10] with the ball bearings [15, 17-A] side down on the body B [11].

⚠ WARNING : Make sure each part is completely set between body A [10] and frame [13].

14) Insert four socket bolts [22, 22-A] into the body A [10] and turn the whole body sideways. Then fix the bolts with the U nuts [23] holding the U nuts with fingers.

⚠ WARNING : Insert short socket bolts [22-A] to the upper holes and long socket bolts [22] to the lower holes.

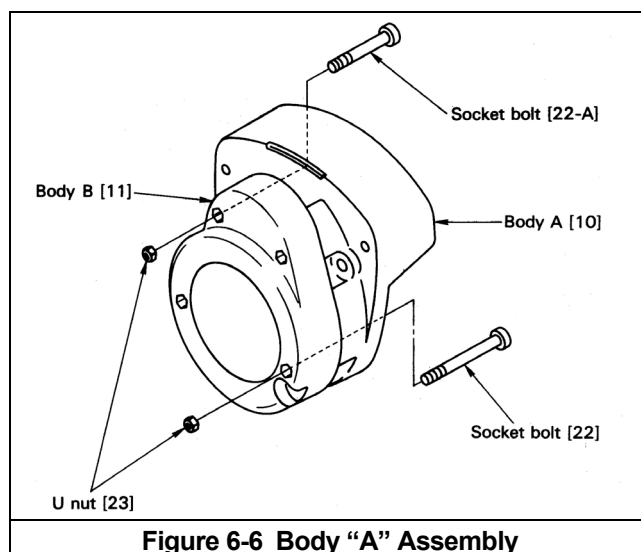


Figure 6-6 Body "A" Assembly

- 15) Insert pawl pin [24] into the body A [10] and fix it with the U nut [25].
- 16) Apply machine oil to the pawl pin [24] and join pawl spring [26] and the pawl [27] respectively to it. Fix the pawl with snap ring [28].

⚠ WARNING : Make sure the pawl spring is fixed to the pawl and the snap ring is securely set at the groove of the pawl pin.

- 17) Thread friction disc [29] on the pinion [14].
- 18) Wipe out any dirt on the friction disc [29], friction plates [32] and both sides of the ratchet disc [30] and make sure that bushing [31] is properly soaked with oil. Then place the friction plate, bushing, ratchet disc (while the pawl [27] is rotated counterclockwise), and friction plate respectively on the friction disc. (Make sure that the pawl meshes with the ratchet disc properly.)

⚠ WARNING : **NEVER** apply oil since the brake is a "dry system". Thoroughly wipe out any oil and dirt on the brake. The gear of the ratchet should point at the pawl. Otherwise, the hand wheel cannot be assembled later.

In case the bushing does not have oil inside, soak it in turbine oil for a day. Install it without wiping the oil. Make sure that the pawl meshes with the ratchet disc properly.

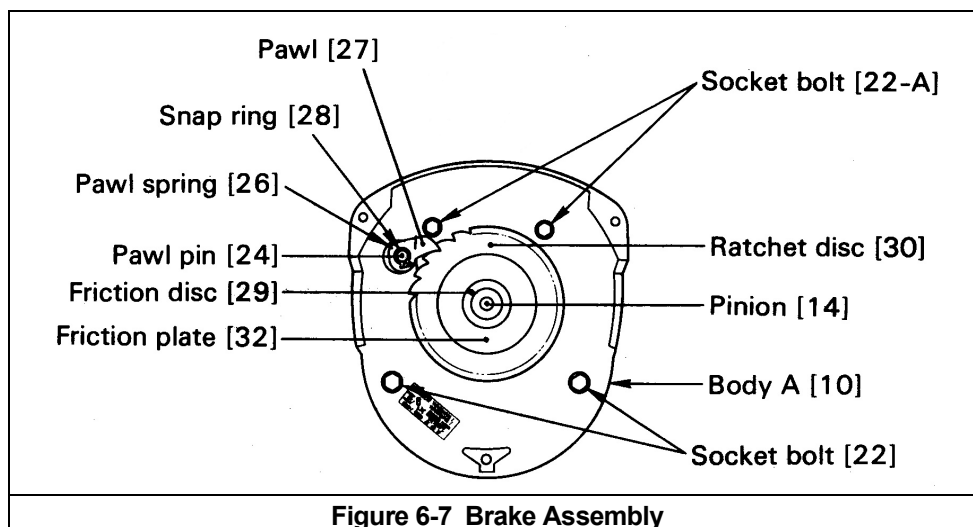


Figure 6-7 Brake Assembly

- 19) Remove the dirt from the hand wheel [33] and apply machine oil to the threaded part. Assemble onto the pinion shaft [14] by turning it clockwise as far as possible.
- 20) Place wheel stopper [34] on the head of the pinion [14], insert wheel stopper pin [35] and fix it with a split pin [36].

⚠WARNING : NEVER forget to bend the split pin after inserting into the wheel stopper pin.

- 21) Set the notch of the hand wheel to the left hand side. Insert the vertical link of the hand chain [43] into the notch of the hand wheel [33] and reeve the hand chain by turning the hand wheel clockwise.

NOTE: Make sure welds on hand chain are to the outside of the hand wheel.

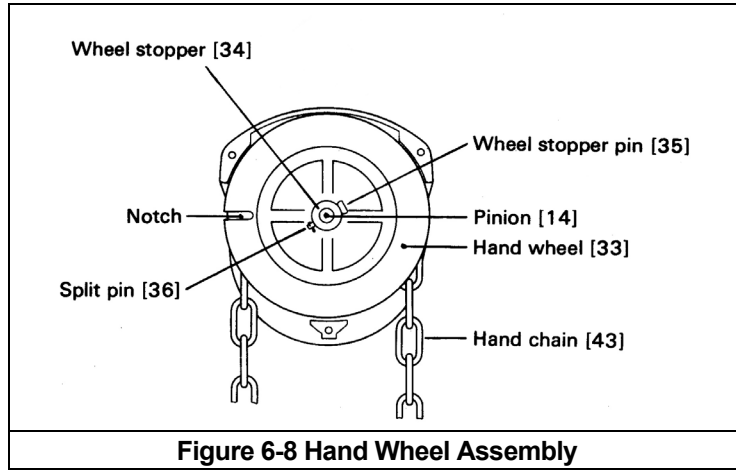


Figure 6-8 Hand Wheel Assembly

- 22) Put wheel cover [37] on the body A [10] and fix them with the spring washers [39] and screws [38].
- 23) Put a hoist with body B [11] side up. Place the slack end of the load chain between body A [10] and body B [11]. Then insert tail pin [40], and screw tap socket bolt [41] into the body B.

⚠WARNING : Make sure the load chain is not twisted. Be careful not to cross thread or over torque tap socket bolt [41].

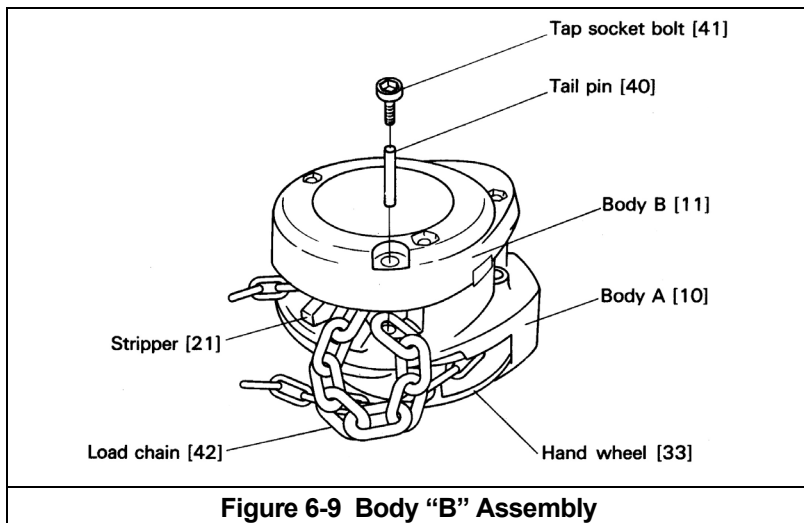


Figure 6-9 Body "B" Assembly

Cap. Tonne	Product Code	Bottom Bullard®	Bottom Shur-loc®	Bottom Inspection	Bottom SmartLok™
1	CF010	55	55	55	
2	CF020	199	199		199
3	CF030	398	398		398

6.5 Storage

6.5.1 **⚠ WARNING** : **IMPROPER** chain hoist use could result in death or serious injury. To avoid these hazards:

- **ALWAYS** store the hoist in a no load condition.
- **ALWAYS** wipe off all dirt and water.
- **ALWAYS** oil the chain, hook pins and hook latches.
- **ALWAYS** hang in a dry place.
- **ALWAYS** check the hoist for abnormalities (according to the regular inspection procedures) when using the hoist after a period of non-use (Refer to section 5.5).

6.6 Outdoor Installation

- 6.6.1 For hoist installations that are outdoors, the hoist should be covered or brought inside when not in use.
- 6.6.2 Possibility of corrosion on components of the hoist increases for installations where salt air and high humidity are present. Make frequent and regular inspections of the hoist's condition and operation.

7.0 Troubleshooting

⚠ WARNING

Read and comply with instructions in this manual and use the hoist properly.
 Checking the sounds from the hoist in operation is a critical inspection. Note hoist sounds during operation.
 If a defect is found in the hoist, stop using it immediately and check the cause of the defect.
 Only Trained and competent personnel should inspect and repair the hoist.

Table 7-1 Troubleshooting Guide

Note on proper operation:

- When lifting, the hoist should make clicking sounds when moving the hand wheel.
- When lowering, the hoist should not make clicking sounds when moving the hand wheel.

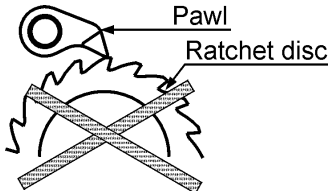
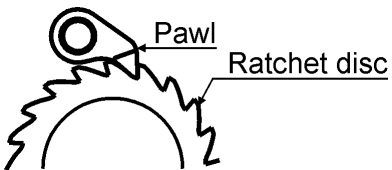
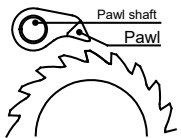
Symptom	Cause	Remedy
Hoist will not lift – Slight clicking	Improper assembly of ratchet disc, disc installed backwards, and making incorrect contact with the pawl. 	Reassemble the pawl and ratchet disc properly. Ensure that clicking sounds are heard before reuse. 
Hoist will not lift – Not Clicking	Pawl not engaging ratchet disc: <ul style="list-style-type: none"> ■ Dirt or corrosion between pawl and pawl shaft. 	Clean and lubricate pawl and pawl shaft. 
	Faulty pawl spring	Replace pawl spring
	Loose selector pawl spring	Perform hoist maintenance.
Hoist will lift intermittently – Slight or irregular clicking	Poor pawl movement caused by faulty pawl spring. The spring is loose or damaged.	Perform maintenance and/or repair.
	Mis-assembly of pawl spring	Reassemble it properly and ensure to check click sound of the pawl before reuse.

Table 7-1 Troubleshooting Guide

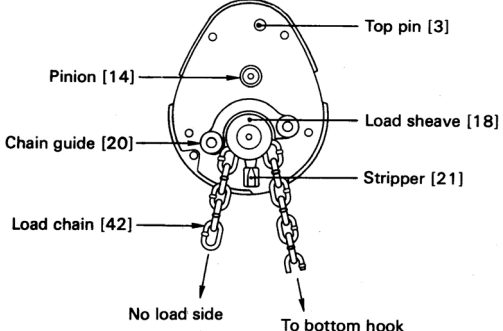
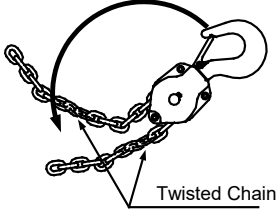
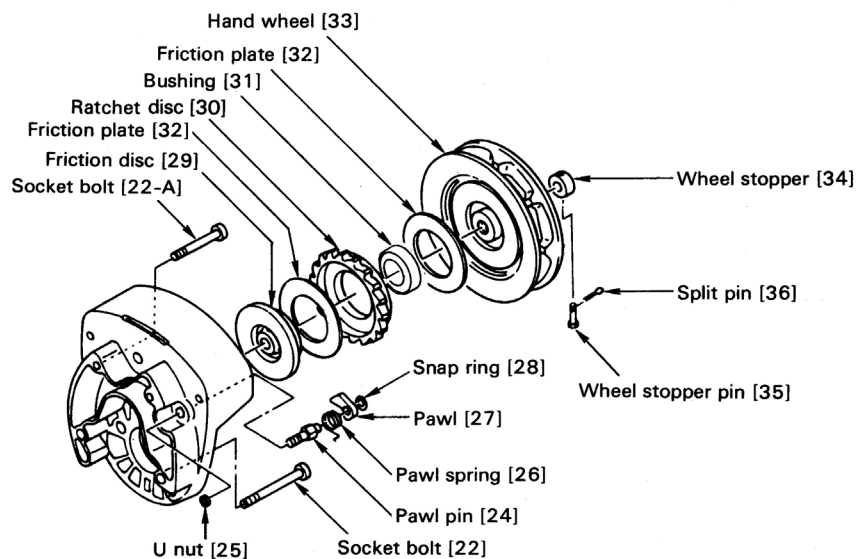
Symptom	Cause	Remedy
<p>During operation, hoist idles or load drifts</p>	<p>Poor load sheave and load chain contact caused by improper chain-reeving.</p>	<p>Reassemble properly and ensure proper lifting before reuse.</p> 
<p>Hoist will not lift all the way (multiple fall hoists)</p>	<p>Capsized hook</p>	<p>Reset the capsized hook.</p>  <p>Capsized Hook and Chain Double Fall Models</p>
<p>Hoist does not lift load smoothly.</p>	<p>Improper assembly of gear OR bearing broken.</p>	<p>Disassemble and reassemble gear train and/or replace bearing.</p>

Table 7-1 Troubleshooting Guide

CAUTION Improper braking may cause improper load lowering. The hoist utilizes dry friction discs; do not apply oil to friction surfaces.



Symptom	Cause	Remedy
Load will not go down	Over tightened brake The hoist left under load for a long period Shock loaded during operation	Pull down hard (possibly with 2 people) on the hand chain to loosen brake.
	Brake rusted tight	Replace the rusty components and perform hoist maintenance.
Load drifts or slips when lowering	A foreign object between friction surfaces.	Remove the object and clean the surfaces. Replace if the friction surface is scarred.
	Brake slip caused by significant rust	Replace the rusty component and perform hoist maintenance.
	Mis-assembly of friction plates, i.e. friction plates missing or at one side as shown.	Reassemble properly as shown and ensure hoist functions properly before reuse.
	Cracked friction plate caused by overload	Replace the friction plate and use the hoist properly within rated capacity.
Friction plate wear caused by very frequent and long term use.	Perform hoist maintenance.	

8.0 Warranty

All products sold by KITO CROSBY Canada Inc. are warranted to be free from defects in material and workmanship from date of purchase for the following periods:

1 year – Hoists, Trolleys, and Parts

3 years – ER2, EQ/SEQ, EM/SEM, TEM/TSEM, and RY Hoists

5 years – Motor Brakes for EQ/SEQ, EM/SEM, TEM/TSEM, and RY

10 years – Motor Brakes for ER2, and TNER

The product must be used in accordance with manufacturer's recommendations and must not have been subject to abuse, lack of maintenance, misuse, negligence, or unauthorized repairs or alterations.

Should any defect in material or workmanship occur during the above time period in any product, as determined by KCC's inspection of the product, KCC agrees, at its discretion, either to replace (not including installation) or repair the part or product free of charge and deliver said item F.O.B. KCC place of business to customer.

No warranty claim will be honored without a valid proof of purchase. Customer must obtain a Return Goods Authorization (RGA) as directed by KCC prior to shipping product for warranty evaluation. An explanation of the complaint must accompany the product. Product must be returned freight prepaid. Upon repair, the product will be covered for the remainder of the original warranty period. Replacement parts installed after the original warranty period will only be eligible for replacement (not including installation) for a period of one year from the installation date. If it is determined there is no defect, or that the defect resulted from causes not within the scope of KCC warranty, the customer will be responsible for the costs of returning the product.

KCC DISCLAIMS ANY AND ALL OTHER WARRANTIES OF ANY KIND, EXPRESSED OR IMPLIED, AS TO THE PRODUCT'S MERCHANTABILITY OR FITNESS FOR A PARTICULAR PURPOSE. KCC WILL NOT BE LIABLE FOR DEATH, INJURIES TO PERSONS OR PROPERTY OR FOR INCIDENTAL, CONTINGENT, SPECIAL OR CONSEQUENTIAL DAMAGES, LOSS OR EXPENSE ARISING IN CONNECTION WITH THE USE OR MISUSE OF THE PRODUCTS, REGARDLESS OF WHETHER THE DAMAGE, LOSS OR EXPENSE RESULTS FROM ANY ACT OR FAILURE TO ACT BY KCC, WHETHER NEGLIGENT OR WILLFUL, OR FROM ANY OTHER CAUSE

This Page Intentionally Left Blank

9.0 Parts List

When ordering Parts, please provide the Hoist code number, lot number and serial number located on the Hoist nameplate (see Figure 9-1 below).

Reminder: Per Sections 1.1 and 3.4.4 to aid in ordering parts and product support, record the hoist Code, Lot and Serial Number in the space provided on the cover of this manual.



The parts list is arranged into the following sections:

Section	Page
9.1 1 to 3 Tonne Parts.....	44
9.2 Additional 2 to 3 Tonne Parts.....	46
9.3 Trolley Parts.....	47
9.4 Optional Hooks.....	49
9.5 Optional Chain Containers.....	50

9.1 1 to 3 Tonne Parts

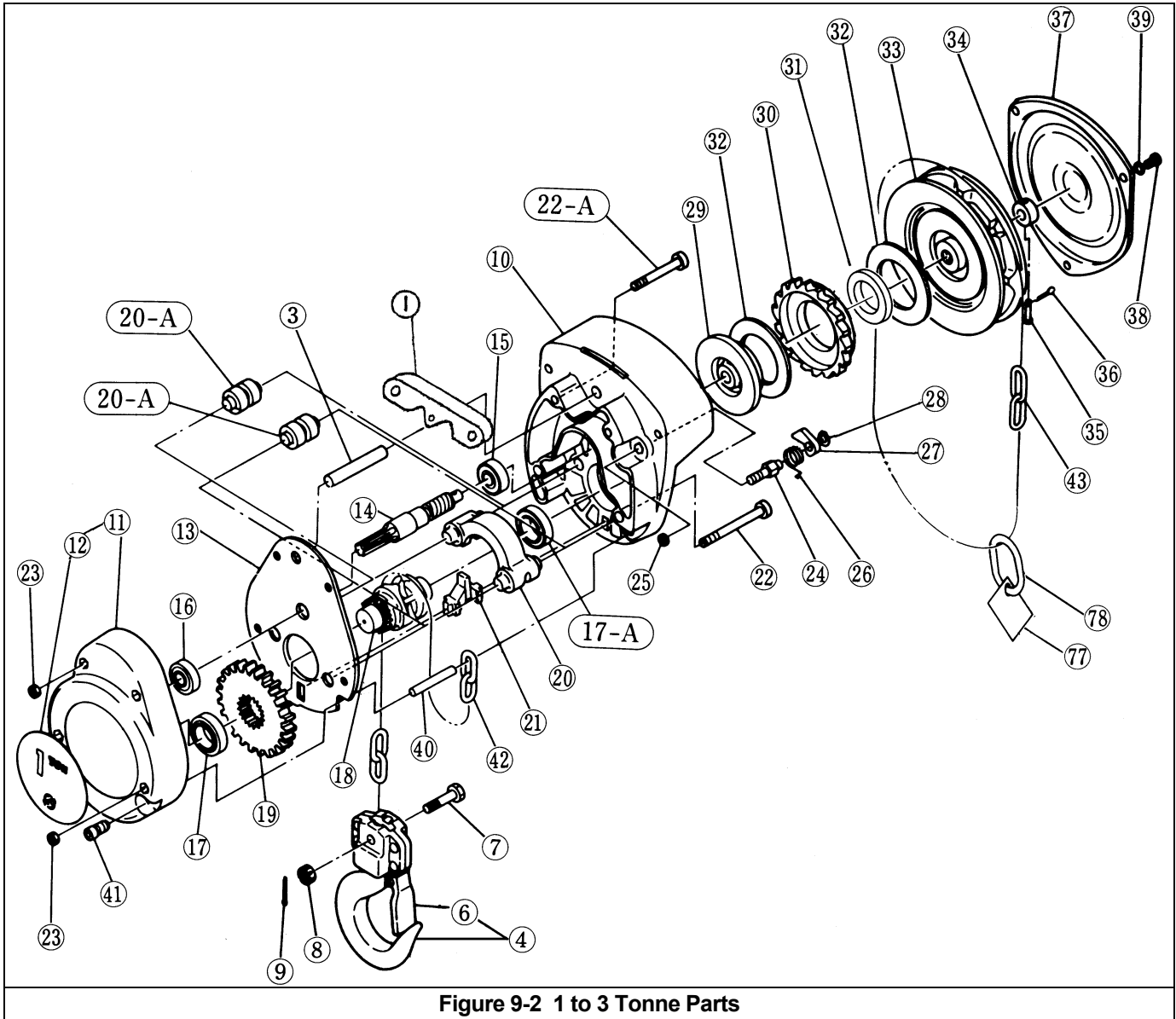


Figure 9-2 1 to 3 Tonne Parts

9.1 1 to 3 Tonne Parts

Fig. No.	Name	Parts / Hoist	1t	2t	3t
1	Suspender	1	50604	50622	50679
3	Top Pin	1	CF163010		CF163015
4	Bottom Hook Complete Set	1	M3021A010		
6	Latch Assembly	1	CF071010		
7	Chain Pin	1	M3041010		
8	Slotted Nut	1	M2049010		
9	Split Pin	1	9009411		
10	Body A	1	CF101010		CF101015
11	Body B	1	CF102010		CF102015
12	Name Plate	1	80298	80300	80301
13	Frame	1	CF105010		CF105015
14	Pinion	1	CF111010**		CF111015**
			CF4111010*		CF4111015*
15	Ball Bearing A	1	9000103		
16	Ball Bearing B	1	9000201	9000202	
17	Ball Bearing C	1	9000105	9000106	
17A	Ball Bearing D	1	9000105	9000106	
18	Load Sheave	1	CF116010	CF116015	
19	Load Gear	1	CF114010	CF114015	
20	Chain Guide	1	CF178010	CF178015	
21	Stripper	1	CF162010	CF162015	
22	Socket Bolt for Body	2	9091284	9091285	
22A	Socket Bolt for Body	2	9091282	9091283	
23	U-Nut for Body	4	9098506		
24	Pawl Pin	1	CF156005		
25	U-Nut for Fig. 24	1	9098506		
26	Pawl Spring	1	CF158005		
27	Pawl	1	CF155005		
28	Snap Ring for Fig. 24	1	9047108		
29	Friction Disc	1	CF153010**		
			M3153020*		
30	Ratchet Disc	1	CF152010**		
			CF4152010*		
31	Bushing for Ratchet Disc	1	M3154020*		
32	Friction Plate	2	M3151020*		
		1	CF151010**		
32-A	Friction Plate	1	CF150010**		
33	Hand Wheel	1	CF115010**		CF115015**
			CF4115010*		CF4115015*
34	Wheel Stopper	1	CF159010		
35	Wheel Stopper Pin	1	M2167005		
36	Split Pin for Fig. 35	1	9009485		
37	Wheel Cover	1	CF171010	CF171015	
38	Screw for Fig. 37	3	CF187005		
39	Spring Washer for Fig. 37	3	9012709		
40	Tail Pin	1	CF164010	CF164015	
41	Socket Bolt for Fig. 40	1	CF181010		
42	Load Chain	ft.	LCCF010	LCCF015	
43	Hand Chain	ft.	HCCF005		
77	Warning Tag	1	WTAG9		
78	Chain Stopper Link	1	L4045030		

*CF4 model only

**Parts discontinued

9.2 Additional 2 through 3 Tonne Parts

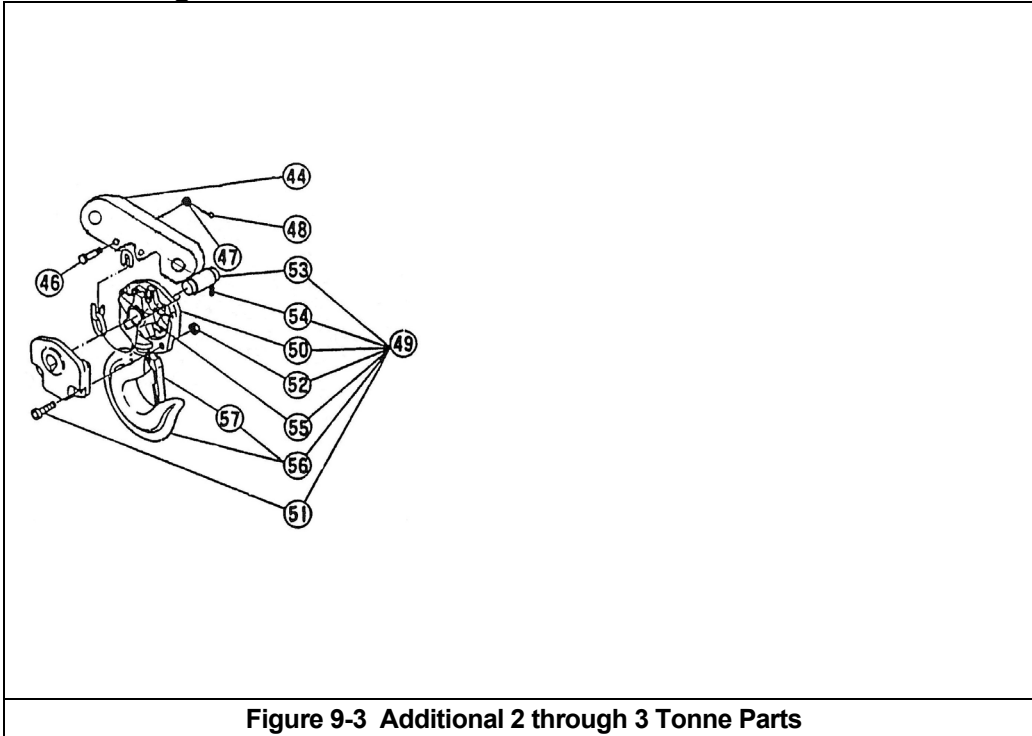


Figure 9-3 Additional 2 through 3 Tonne Parts

Fig. No.	Name	Parts / Hoist	2t	3t
44	Suspender	1	50622	50679
46	Chain Pin	1	CF041020	M3041030
47	Slotted Nut for Fig. 46	1	M2049010	
48	Split Pin for Fig. 46	1	9009411	
49	Bottom Hook Complete Set	1	CF021A020	M3021A030
50	Bottom Yoke	2	CF031020	M3031030
51	Bolt	2	9091274	9091296
52	U-Nut	2	9098506	9098508
53	Shaft	1	CF053020	CF053030
54	Solid Pin	2	CF083020	
	Spring Pin	1		CF083030
55	Idle Sheave	1	CF051020	CF051030
56	Bottom Hook Assembly	1	CF021020	M3021030
57	Latch Assembly	1	CF071020	CF071030

9.3 Trolley Parts

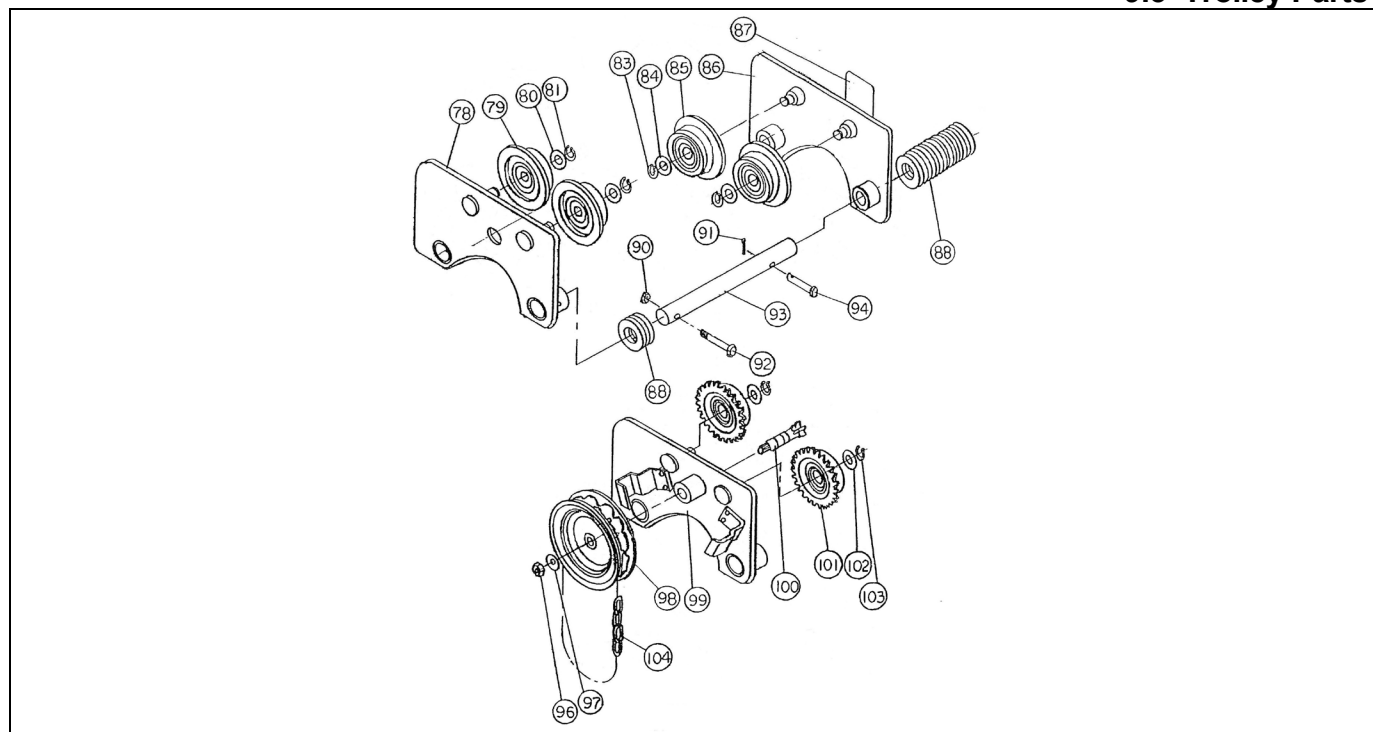


Figure 9-3 Trolley Parts

Push Trolley Parts

Fig. No.	Name	Parts / Hoist	1t	2t	3t
78	Side Plate A	1	50600	50619	50685
79	Track Wheel S Assembly	2	T3P1102010	T3P1102020	T3P1102030
80	Washer	4	MS104010	MS104020	MS104030
81	Snap Ring	2	9047115	9047120	9047125
83	Snap Ring	2	9047115	9047120	9047125
84	Washer	4	MS104010	MS104020	MS104030
85	Track Wheel S Assembly	2	T3P1102010	T3P1102020	T3P1102030
86	Side Plate B	1	50601	50620	50676
87	Nameplate	1	NTH800010	NTH800020	NTH800030
88	Adjusting Spacer	36	9005212	T3P116010	9005215
90	Lock Nut	2	9098506	9098508	
91	Split Pin	2	9009417-5	9009413	
92	Bolt	2	9093102	9093126	9093127
93	Suspension Shaft	2	See Suspension Shaft Sizing Chart		
94	Shaft Stopper Pin	2	T3P156010	T6G156020	MS164020

Geared Trolley Parts

Fig. No.	Name	Parts / Hoist	1t	2t	3t
96	Slotted Nut	1	T3G259010		
97	Washer	1	9012515		
98	Hand Wheel	1	T6G123010		
99	Side Plate G	1	50600G	50619G	50675
100	Pinion	1	T3G121020		
101	Track Wheel G Assembly	2	T3G1101010	T3G1101020	T3G1101030
102	Washer	4	MS104010	MS104020	MS104030
103	Snap Ring	4	T3P106010	T3P106020	T3P106030
104	Hand Chain	ft.	HCCF005		

9.3 Trolley Parts

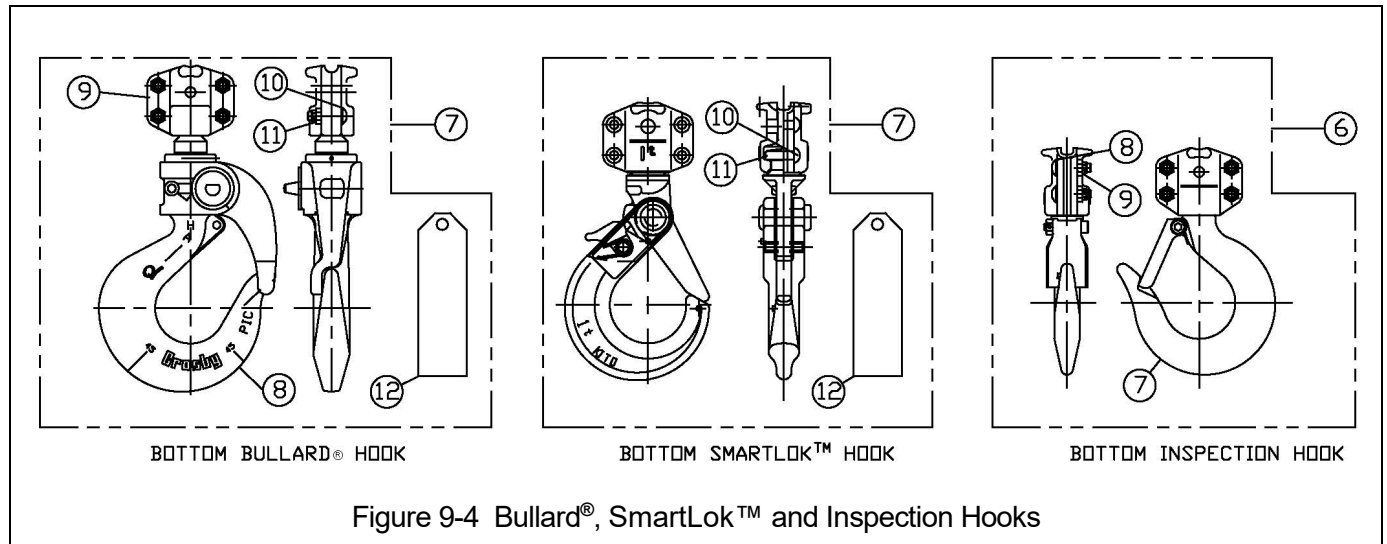
Suspension Shaft Sizing Chart

Fig. No.	Parts / Hoist	1t		2t		3t	
		Flange Range (inches)	Part #	Flange Range (inches)	Part #	Flange Range (inches)	Part #
93	2	2.32 to 5.16	5060501	3.72 to 5.97	5062401	3.62 to 6.26	5068001
		5.17 to 7.16	5060502	5.98 to 7.97	5062402	6.27 to 8.26	5068002
		7.17 to 9.16	5060503	7.98 to 9.97	5062403	8.27 to 10.26	5068003
		9.17 to 11.16	5060504	9.98 to 11.97	5062404	10.27 to 12.26	5068004
		11.17 to 13.16	5060505	11.98 to 13.97	5062405	12.27 to 14.26	5068005
		13.17 to 15.16	5060506	13.98 to 15.97	5062406	14.27 to 16.26	5068006

⚠ WARNING

Flange range shall not be changed in the field by purchasing the parts listed on this page; these parts are only for one-for-one replacement of the same part. Additional factory modifications to the trolley are required to increase or decrease the flange range of an existing trolley. Failure to comply may result in failure of the hoist suspension, dropped load, and severe injury or death. Please contact customer service for more information.

9.4 Optional Hooks



Bullard® Hooks

Fig. No.	Name	Parts Per Hoist	1t	2t	3t
7	Bullard® Bottom Hook Complete Set	1	6027802	6027805	6027807
8	Bullard® Hook Assembly	1	60162	60165	60168
9	Bottom Yoke Kit	1	BYKITCB010		
10	Button Head Screw	4	9012601		
11	Flexloc® Nut**	4	9012603		
12	Warning Tag*	1	WTAG6*		

*Hoist with Bullard® Hook(s) must have WTAG6 and WTAG9 installed. (See page 6 for WTAG9).

** See Table 6-3 in Owner's Manual for yoke nut torque specifications

SmartLok™ Hooks*

Fig. No.	Name	Parts Per Hoist	1t	2t	3t
7	SmartLok™ Bottom Hook Complete Set	1	60322	60325	60327
10	Button Head Screw	2		9091274	9091296
11	Flexloc® Nut***	2		ES857005S	ES066075
12	Warning Tag	1	WTAG13**		

* SmartLok™ Hook replaced Shur-loc® Hook offering in 2022.

**Hoist with SmartLok™ Hook(s) must have WTAG9 and WTAG13 installed.

(See page 6 for WTAG9 and SmartLok Hook Supplement for WTAG13).

***See Table 6-3 in Owner's Manual for yoke nut torque specifications

Inspection Hooks

Fig. No.	Name	Parts Per Hoist	1t	2t	3t
6	Bottom Hook Complete Set	1	M3021A010IK		
7	Hook W/Latch & Yoke	1	M3021A010IH		
8	Button Head Screw	2	9012601		
9	Flexloc® Nut**	2	9012603		

** See Table 6-3 in Owner's Manual for yoke nut torque specifications

9.5 Optional Chain Containers

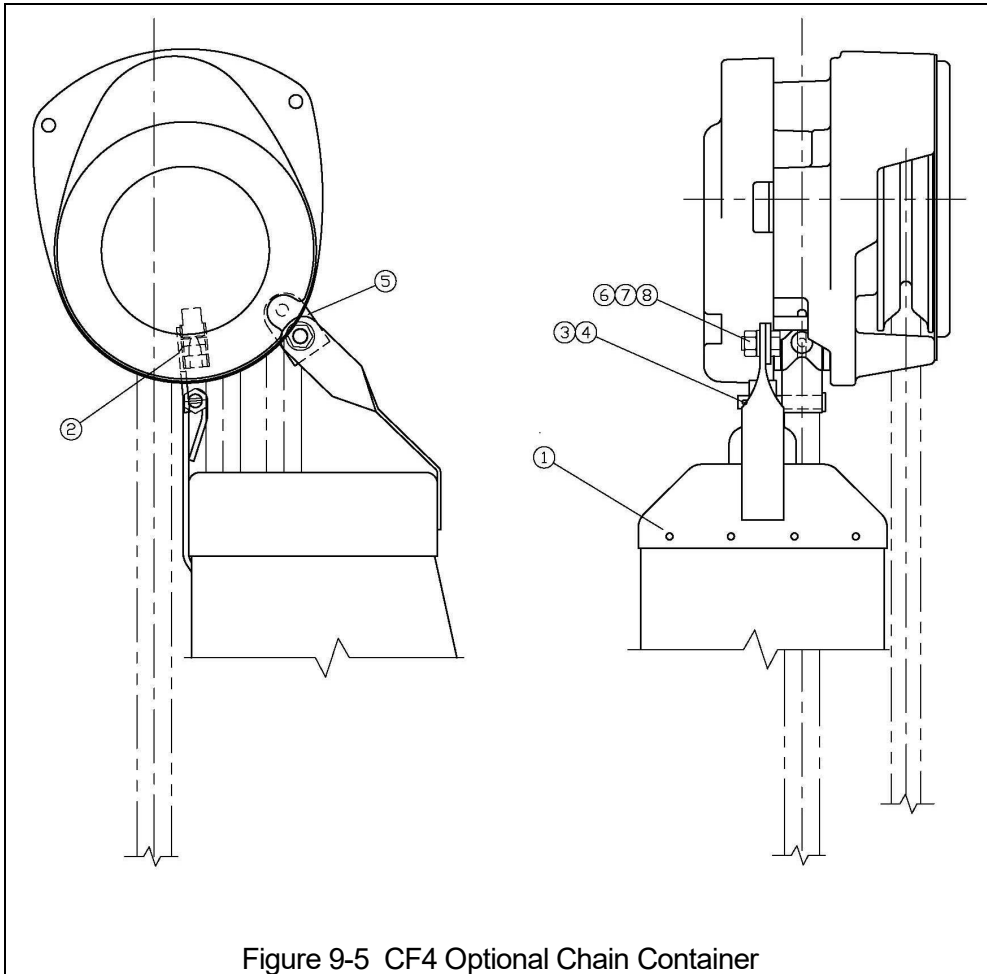


Figure 9-5 CF4 Optional Chain Container

NTH OPTIONAL "05" & "10" CHAIN CONTAINERS

Fig. No.	Name	Parts Per Hoist	1t	2 t	3t
	"05" Chain Container (BKC1) Assembly	1	60713		60715
1	Chain Container	1	50810		
2	Modified Stripper Ass'y	1	5076004		5080404
3	Split Pin	1	9009412		
4	Washer, 1/4	1	9005205		
5	Link	1	5076005		
6	Washer, M8	2	9012513		
7	Hex Head Bolt	1	9093328		
8	Lock-Nut	1	9098506		
	"10" Chain Container (BKD1) Assembly	1	60714		60716
1	Chain Container	1	5080403		
2	Modified Stripper Ass'y	1	5076004		5080404
3	Split Pin	1	9009412		
4	Washer, 1/4	1	9005205		
5	Link	1	5076005		
6	Washer, M8	2	9012513		
7	Hex Head Bolt	1	9093328		
8	Lock-Nut	1	9098506		

9.5 Optional Chain Containers

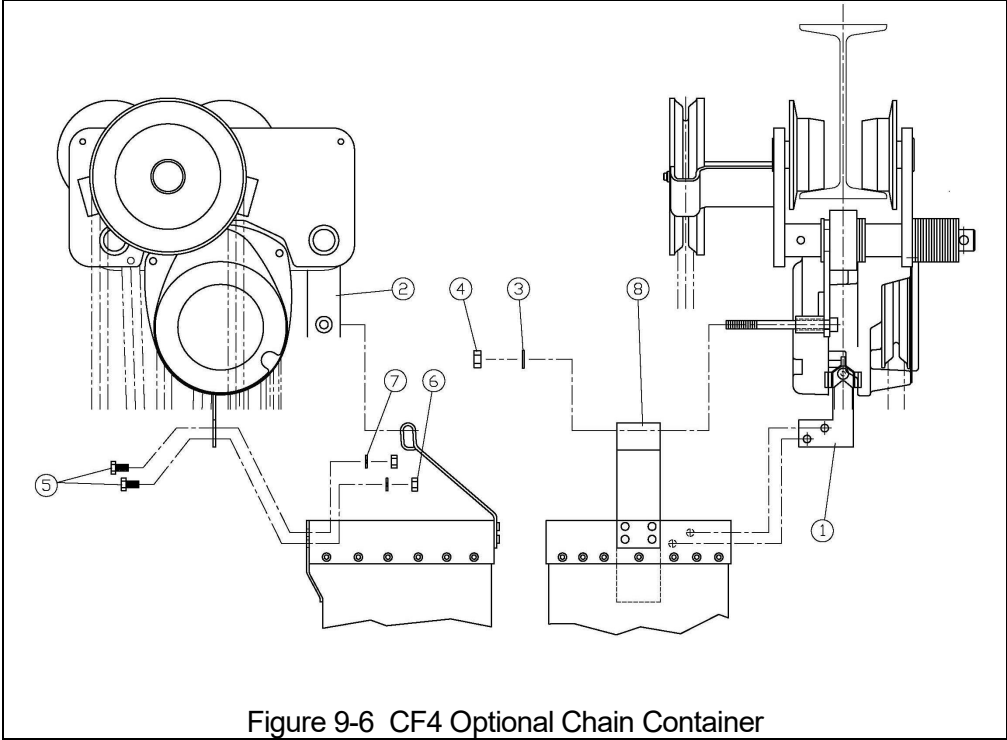


Figure 9-6 CF4 Optional Chain Container

NTH OPTIONAL "15" CHAIN CONTAINERS

Fig. No.	Name	Parts Per Hoist	1t	2t	3t
	"15" Chain Container (BKC1) Assembly	1	60717	60718	60719
1	Modified Stripper Ass'y	1	5087605		*
2	Suspension Bracket	1	5087606		*
3	Flat Washer	1	9012514		
4	Lock Nut	1	9098508		
5	Bolt	2	9093327		
6	Lock Nut	2	9098506		
7	Lock Washer	2	9012711		
8	Chain Container	1	5087601		

*Available on request

309 - 3815 1st Avenue
Burnaby, BC V5C 3V6
Toll Free: 1-888-322-KITO

KITO

www.kito.ca

4 - 3660 Odyssey Drive
Mississauga, ON L5M 0Y9
Toll Free: 1-888-322-KITO