

V10 CLEVIS GRAB HOOKS SERIES

The Italian made V10 Clevis Grab Hook is an excellent choice for overhead lifting and can also be suitable for other applications. The whole chain link is supported by the cradle and therefore keeps 100% of its Working Load Limit. It meets or exceeds OSHA, Government, NACM, and ASTM specs and comes in a blue powder coat finish.

Applications include chain tightening, tie down, and lifting in industries such as construction, automotive, aircraft and farming.



FEATURES

- Grade 100
- Premium fine grain alloy steel
- Made in Italy
- Quenched and tempered before proof testing
- Blue powder coat finish
- Meets or exceeds OSHA, Government, NACM, and ASTM specs
- No reduction in working load limit
- Presence of a chain shape groove for optimal chain position

V10 CLEVIS GRAB HOOKS SERIES

GRADE

- 100

FINISH

- Blue Powder Coat Finish

STANDARDS

- Meets or exceeds OSHA, Government, NACM, and ASTM specs

ATTACHMENT

- Clevis

HEAT TREATMENT

- Quenched and tempered before proof testing

ORIGIN

- Made in Italy

HOOK TYPE

- Grab Hook

APPLICATION

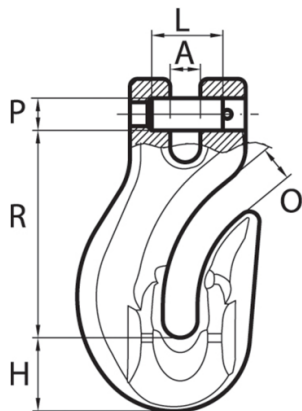
- Overhead Lifting

MATERIAL

- Premium Fine Grain Alloy Steel

V10 CLEVIS GRAB HOOKS SERIES

DIAGRAM DRAWINGS



V10 CLEVIS GRAB HOOKS SERIES

PRODUCTS SPECIFICATIONS

Product	Manufacturer Part No.	Chain Size Inches	Chain Size mm	Dim A	Dim H	Dim O	Dim P x L	Dim R	Lbs. Per Ea.	Working Load Limit (Lbs.)
8928100	CFX06	7/32	6	0.276	0.689	0.276	0.29 X 0.65	2.008	0.55	2700.0
8928200	CFX07	9/32 - 5/16	7 - 8	0.354	0.925	0.374	0.38 X 0.91	2.598	1.32	5700.0
8928300	CFX08	3/8	10	0.453	1.142	0.472	0.49 X 1.16	3.228	2.51	8800.0
8928400	CFX10	1/2	13.0	0.571	1.535	0.650	0.63 X 1.46	4.173	4.63	15000.0
8928610	CFX13	5/8	16.0	0.709	1.811	0.866	0.79 X 2.05	5.118	8.38	22600.0
8928710	CFX16	3/4	20	0.866	2.224	1.024	0.94 X 2.87	6.378	16.18	35300.0
8928810	CFX20	7/8	22.0	0.984	2.480	1.161	1.06 X 2.80	7.008	21.01	42700.0

